

Skimmer Basin #1

07/02/19 KCG

Okay

567.5 Water Surface Elev.

3.24 Disturbed Area (Acres)
 10.86 Peak Flow from 25-year Storm (cfs)

Q25= C I A= .35 x 8.02 in/hr x 3.24 acres

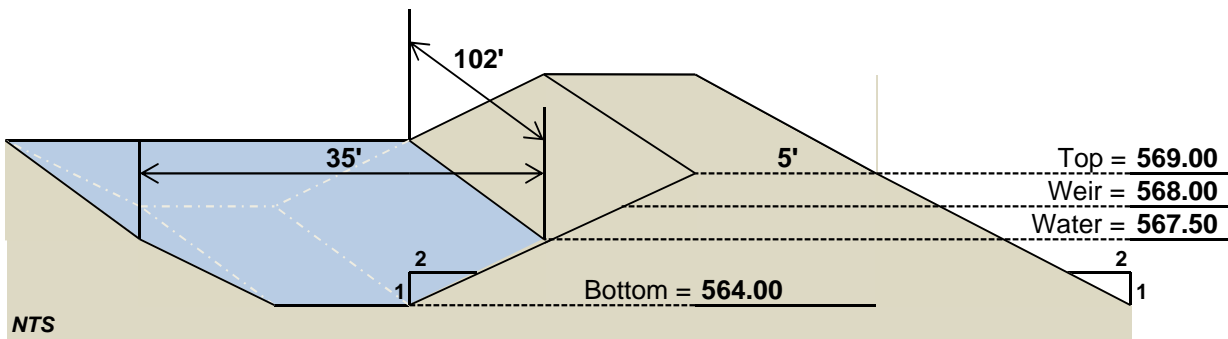
5832 Required Volume ft³
 3531 Required Surface Area ft²
 42.0 Suggested Width ft
 84.0 Suggested Length ft

35 Trial Top Width at Spillway Invert ft
 102 Trial Top Length at Spillway Invert ft
 2 Trial Side Slope Ratio Z:1
 3.5 Trial Depth ft (2 to 3.5 feet above grade)
 21 Bottom Width ft
 88 Bottom Length ft
 1848 Bottom Area ft²
 9367 Actual Volume ft³ **Okay**
 3570 Actual Surface Area ft² **Okay**

11 Trial Weir Length ft
 0.5 Trial Depth of Flow ft
 11.7 Spillway Capacity cfs **Okay**

2 Skimmer Size (inches)
 0.167 Head on Skimmer (feet)
 1.5 Orifice Size (1/4 inch increments)
 2.75 Dewatering Time (days)
 Suggest about 3 days

Skimmer Size (Inches)
1.5
2
2.5
3
4
5
6
8



Skimmer Basin #2

07/02/19 KCG

Okay

571 Water Surface Elev.

- 1.48 Disturbed Area (Acres)
- 4.15 Peak Flow from 25-year Storm (cfs)

$$Q_{25} = C I A = .35 \times 8.02 \text{ in/hr} \times 1.48 \text{ acres}$$

- 2664 Required Volume ft³
- 1350 Required Surface Area ft²
- 26.0 Suggested Width ft
- 52.0 Suggested Length ft

- 26 Trial Top Width at Spillway Invert ft
- 52 Trial Top Length at Spillway Invert ft
- 2 Trial Side Slope Ratio Z:1
- 3.5 Trial Depth ft (2 to 3.5 feet above grade)

- 12 Bottom Width ft
- 38 Bottom Length ft
- 456 Bottom Area ft²
- 3050 Actual Volume ft³
- 1352 Actual Surface Area ft²

Okay

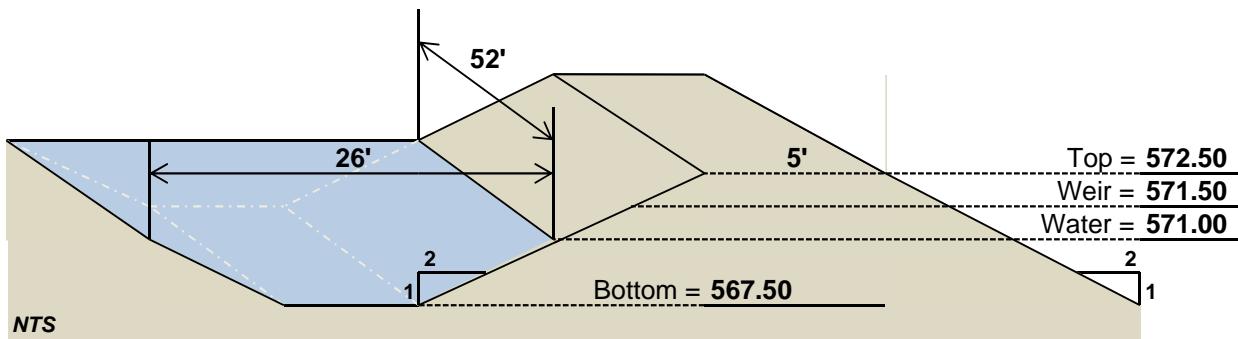
Okay

- 5 Trial Weir Length ft
- 0.5 Trial Depth of Flow ft
- 5.3 Spillway Capacity cfs

Okay

- 2 Skimmer Size (inches)
- 0.167 Head on Skimmer (feet)
- 1 Orifice Size (1/4 inch increments)
- 2.82 Dewatering Time (days)
Suggest about 3 days

Skimmer Size (Inches)
1.5
2
2.5
3
4
5
6
8



Skimmer Basin #3

07/22/19 KCG

Okay

574 Water Surface Elev.

4.84 Disturbed Area (Acres)
 13.59 Peak Flow from 10-year Storm (cfs)

Q25= C I A= .35 x 8.02 in/hr x 4.84 acres

8712 Required Volume ft³
 4415 Required Surface Area ft²
 47.0 Suggested Width ft
 94.0 Suggested Length ft

40 Trial Top Width at Spillway Invert ft
 116 Trial Top Length at Spillway Invert ft
 2 Trial Side Slope Ratio Z:1
 3.5 Trial Depth ft (2 to 3.5 feet above grade)

26 Bottom Width ft
 102 Bottom Length ft
 2652 Bottom Area ft²
 12647 Actual Volume ft³
 4640 Actual Surface Area ft²

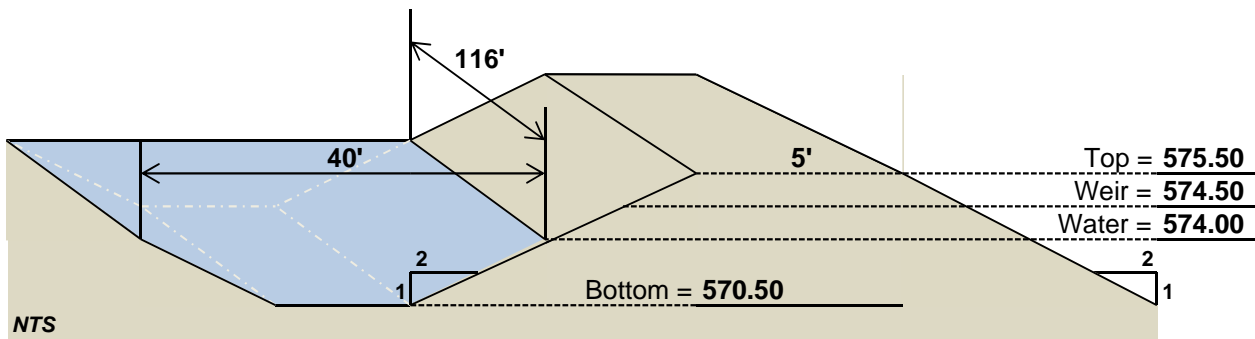
Okay
 Okay

15 Trial Weir Length ft
 0.5 Trial Depth of Flow ft
 15.9 Spillway Capacity cfs

Okay

2 Skimmer Size (inches)
 0.167 Head on Skimmer (feet)
 1.5 Orifice Size (1/4 inch increments)
 4.10 Dewatering Time (days)
 Suggest about 3 days

Skimmer Size (Inches)
1.5
2
2.5
3
4
5
6
8



Skimmer Basin #4

7/2/19 KCG

Okay

608 Water Surface Elev.

2.88 Disturbed Area (Acres)
 8.10 Peak Flow from 25-year Storm (cfs)

Q25= C I A= .35 x 8.02 in/hr x 2.88 acres

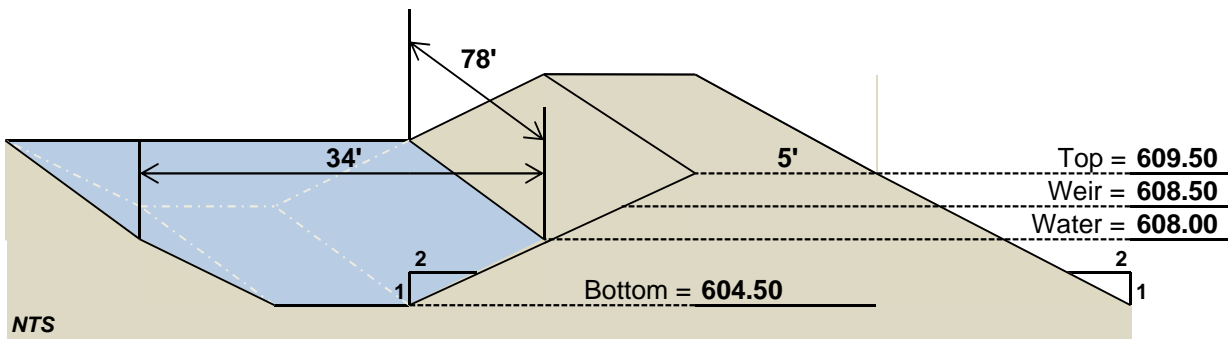
5184 Required Volume ft³
 2634 Required Surface Area ft²
 36.3 Suggested Width ft
 72.6 Suggested Length ft

34 Trial Top Width at Spillway Invert ft
 78 Trial Top Length at Spillway Invert ft
 2 Trial Side Slope Ratio Z:1
 3.5 Trial Depth ft (2 to 3.5 feet above grade)
 20 Bottom Width ft
 64 Bottom Length ft
 1280 Bottom Area ft²
 6767 Actual Volume ft³ **Okay**
 2652 Actual Surface Area ft² **Okay**

8 Trial Weir Length ft
 0.5 Trial Depth of Flow ft
 8.5 Spillway Capacity cfs **Okay**

2 Skimmer Size (inches)
 0.167 Head on Skimmer (feet)
 1.25 Orifice Size (1/4 inch increments)
 3.51 Dewatering Time (days)
 Suggest about 3 days

Skimmer Size (Inches)
1.5
2
2.5
3
4
5
6
8



Skimmer Basin #5

7/2/19 KCG

Okay

607.5 Water Surface Elev.

2.02 Disturbed Area (Acres)
 5.68 Peak Flow from 25-year Storm (cfs)

Q25= C I A= .35 x 8.04 in/hr x 2.02 acres

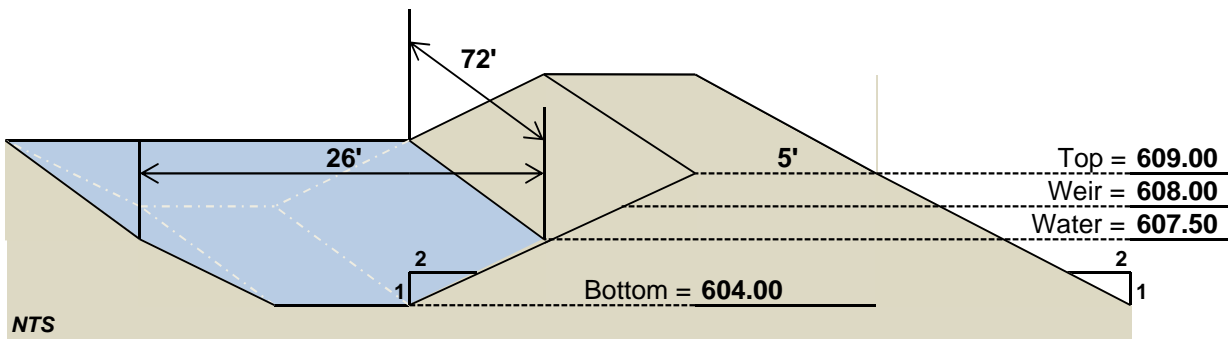
3636 Required Volume ft³
 1847 Required Surface Area ft²
 30.4 Suggested Width ft
 60.8 Suggested Length ft

26 Trial Top Width at Spillway Invert ft
 72 Trial Top Length at Spillway Invert ft
 2 Trial Side Slope Ratio Z:1
 3.5 Trial Depth ft (2 to 3.5 feet above grade)
 12 Bottom Width ft
 58 Bottom Length ft
 696 Bottom Area ft²
 4380 Actual Volume ft³ **Okay**
 1872 Actual Surface Area ft² **Okay**

6 Trial Weir Length ft
 0.5 Trial Depth of Flow ft
 6.4 Spillway Capacity cfs **Okay**

1.5 Skimmer Size (inches)
 0.125 Head on Skimmer (feet)
 1.25 Orifice Size (1/4 inch increments)
 2.85 Dewatering Time (days)
 Suggest about 3 days

Skimmer Size (Inches)
1.5
2
2.5
3
4
5
6
8



Skimmer Basin #6

7/02/19 KCG

Okay

600 Water Surface Elev.

1.62 Disturbed Area (Acres)
 4.55 Peak Flow from 25-year Storm (cfs)

Q25= C I A= .35 x 8.02 in/hr x 1.62 acres

2916 Required Volume ft³
 1478 Required Surface Area ft²
 27.2 Suggested Width ft
 54.4 Suggested Length ft

27 Trial Top Width at Spillway Invert ft
 55 Trial Top Length at Spillway Invert ft
 2 Trial Side Slope Ratio Z:1
 3 Trial Depth ft (2 to 3.5 feet above grade)

15 Bottom Width ft
 43 Bottom Length ft
 645 Bottom Area ft²
 3123 Actual Volume ft³
 1485 Actual Surface Area ft²

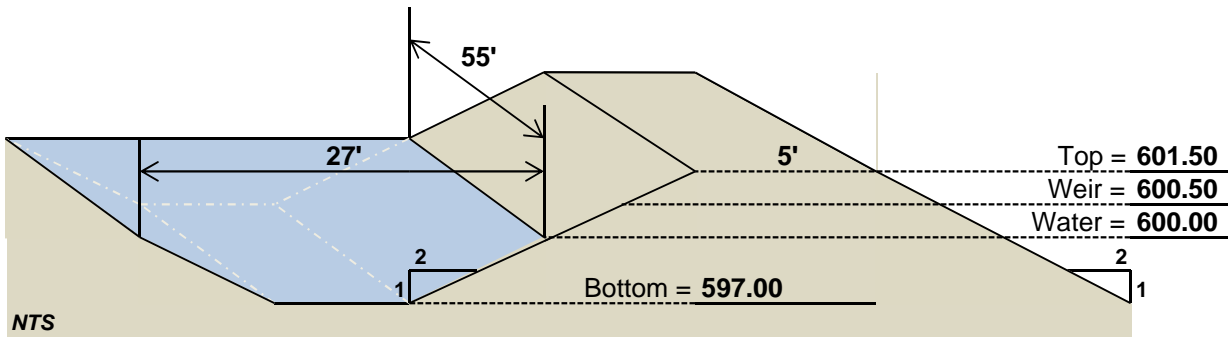
Okay
Okay

5 Trial Weir Length ft
 0.5 Trial Depth of Flow ft
 5.3 Spillway Capacity cfs

Okay

1.5 Skimmer Size (inches)
 0.125 Head on Skimmer (feet)
 1 Orifice Size (1/4 inch increments)
 3.57 Dewatering Time (days)
 Suggest about 3 days

Skimmer Size (Inches)
1.5
2
2.5
3
4
5
6
8



Skimmer Basin #7

7/2/19 KCG

Okay

604 Water Surface Elev.

2.07 Disturbed Area (Acres)
 5.81 Peak Flow from 25-year Storm (cfs)

Q25= C I A= .35 x 8.02 in/hr x 2.07 acres

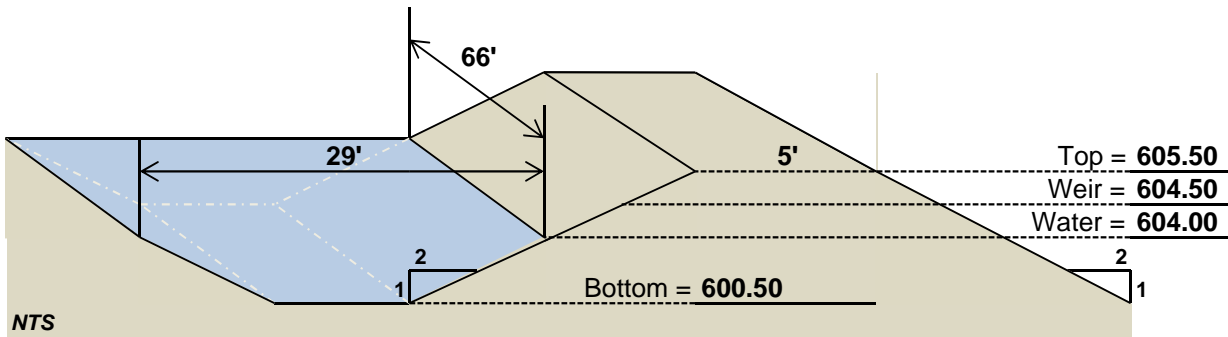
3726 Required Volume ft³
 1888 Required Surface Area ft²
 30.7 Suggested Width ft
 61.5 Suggested Length ft

29 Trial Top Width at Spillway Invert ft
 66 Trial Top Length at Spillway Invert ft
 2 Trial Side Slope Ratio Z:1
 3.5 Trial Depth ft (2 to 3.5 feet above grade)
 15 Bottom Width ft
 52 Bottom Length ft
 780 Bottom Area ft²
 4600 Actual Volume ft³ **Okay**
 1914 Actual Surface Area ft² **Okay**

6 Trial Weir Length ft
 0.5 Trial Depth of Flow ft
 6.4 Spillway Capacity cfs **Okay**

1.5 Skimmer Size (inches)
 0.125 Head on Skimmer (feet)
 1.25 Orifice Size (1/4 inch increments)
 2.92 Dewatering Time (days)
 Suggest about 3 days

Skimmer Size (Inches)
1.5
2
2.5
3
4
5
6
8



Skimmer Basin #8

07/02/19 KCG

Okay

613 Water Surface Elev.

4.86 Disturbed Area (Acres)
 13.64 Peak Flow from 25-year Storm (cfs)

Q25= C I A= .35 x 8.02 in/hr x 4.86 acres

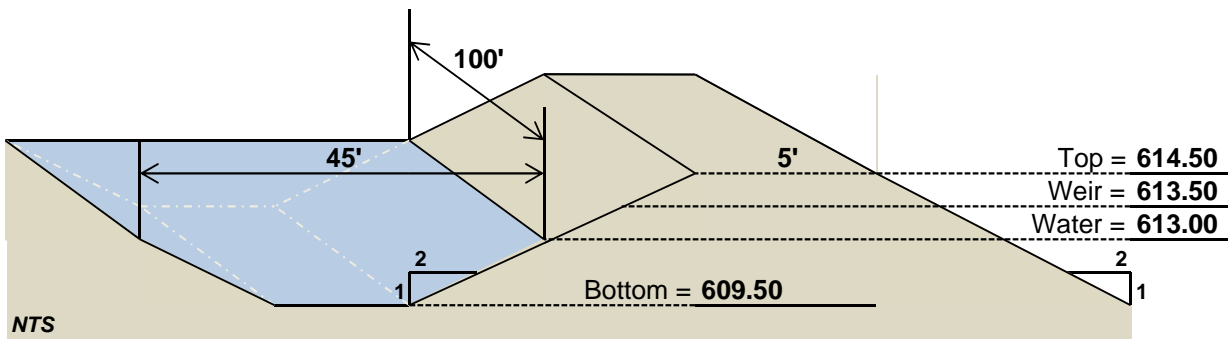
8748 Required Volume ft³
 4434 Required Surface Area ft²
 47.1 Suggested Width ft
 94.2 Suggested Length ft

45 Trial Top Width at Spillway Invert ft
 100 Trial Top Length at Spillway Invert ft
 2 Trial Side Slope Ratio Z:1
 3.5 Trial Depth ft (2 to 3.5 feet above grade)
 31 Bottom Width ft
 86 Bottom Length ft
 2666 Bottom Area ft²
 12426 Actual Volume ft³ **Okay**
 4500 Actual Surface Area ft² **Okay**

13 Trial Weir Length ft
 0.5 Trial Depth of Flow ft
 13.8 Spillway Capacity cfs **Okay**

2 Skimmer Size (inches)
 0.167 Head on Skimmer (feet)
 1.75 Orifice Size (1/4 inch increments)
 3.03 Dewatering Time (days)
 Suggest about 3 days

Skimmer Size (Inches)
1.5
2
2.5
3
4
5
6
8



Skimmer Basin #9

7/22/2019 KCG

Okay

596.5 Water Surface Elev.

6.13 Disturbed Area (Acres)
17.21 Peak Flow from 25-year Storm (cfs)

Q25= C I A= .35 x 8.02 in/hr x 6.13 acres

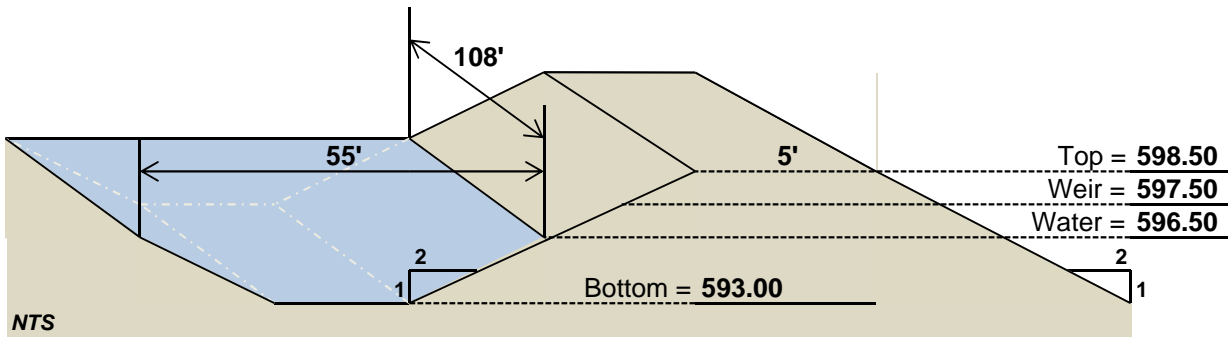
11034 Required Volume ft³
5592 Required Surface Area ft²
52.9 Suggested Width ft
105.8 Suggested Length ft

55 Trial Top Width at Spillway Invert ft
108 Trial Top Length at Spillway Invert ft
2 Trial Side Slope Ratio Z:1
3.5 Trial Depth ft (2 to 3.5 feet above grade)
37 Bottom Width ft
90 Bottom Length ft
3330 Bottom Area ft²
16034 Actual Volume ft³ **Okay**
5940 Actual Surface Area ft² **Okay**

6 Trial Weir Length ft
1 Trial Depth of Flow ft
18.0 Spillway Capacity cfs **Okay**

2 Skimmer Size (inches)
0.167 Head on Skimmer (feet)
1.5 Orifice Size (1/4 inch increments)
5.19 Dewatering Time (days)
 Suggest about 3 days

Skimmer Size (Inches)
1.5
2
2.5
3
4
5
6
8



Skimmer Basin #10

07/02/19 KCG

Okay

592 Water Surface Elev.

1.29 Disturbed Area (Acres)
 3.62 Peak Flow from 25-year Storm (cfs)

Q25= C I A= .35 x 8.02 in/hr x 1.29 acres

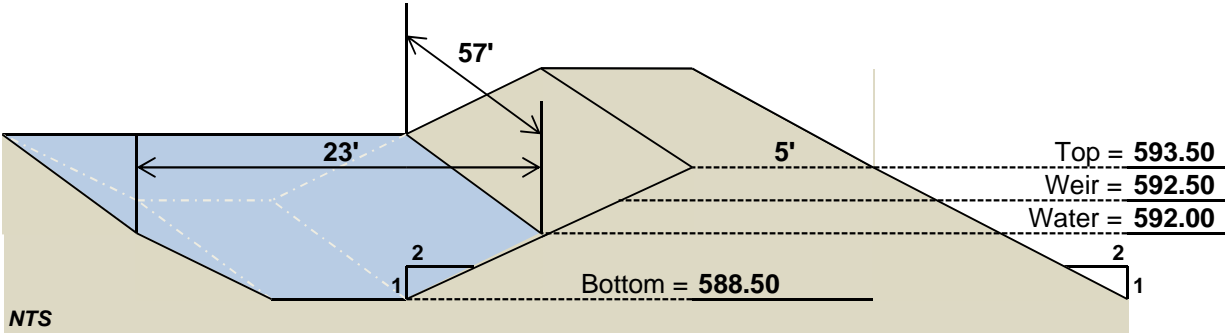
2322 Required Volume ft³
 1177 Required Surface Area ft²
 24.3 Suggested Width ft
 48.5 Suggested Length ft

23 Trial Top Width at Spillway Invert ft
 57 Trial Top Length at Spillway Invert ft
 2 Trial Side Slope Ratio Z:1
 3.5 Trial Depth ft (2 to 3.5 feet above grade)
 9 Bottom Width ft
 43 Bottom Length ft
 387 Bottom Area ft²
 2857 Actual Volume ft³ **Okay**
 1311 Actual Surface Area ft² **Okay**

4 Trial Weir Length ft
 0.5 Trial Depth of Flow ft
 4.2 Spillway Capacity cfs **Okay**

1.5 Skimmer Size (inches)
 0.125 Head on Skimmer (feet)
 1 Orifice Size (1/4 inch increments)
 2.84 Dewatering Time (days)
 Suggest about 3 days

Skimmer Size (Inches)
1.5
2
2.5
3
4
5
6
8



Skimmer Basin #11

07/22/19 KCG

Okay

581.00 Water Surface Elev.

4.27 Disturbed Area (Acres)
 11.98589 Peak Flow from 25-year Storm (cfs)

Q25= C I A= .35 x 8.02 in/hr x 4.27 acres

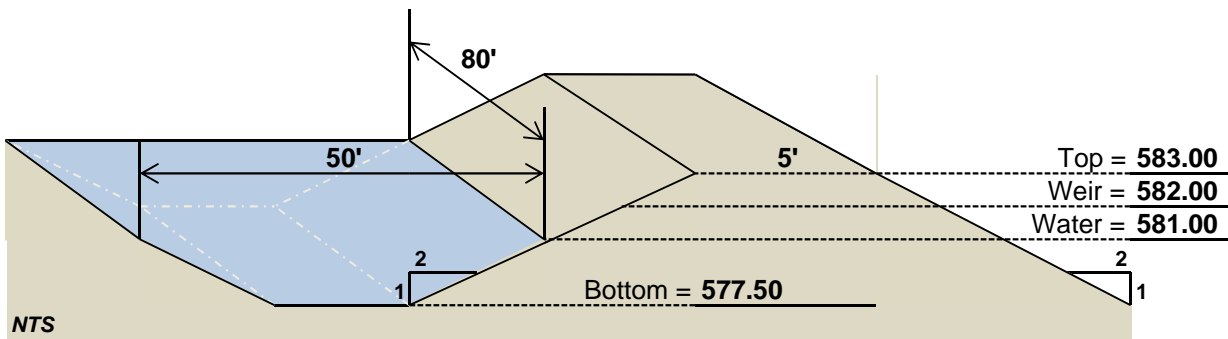
7686 Required Volume ft³
 3895 Required Surface Area ft²
 44.1 Suggested Width ft
 88.3 Suggested Length ft

50 Trial Top Width at Spillway Invert ft
 80 Trial Top Length at Spillway Invert ft
 2 Trial Side Slope Ratio Z:1
 3.5 Trial Depth ft (2 to 3.5 feet above grade)
 32 Bottom Width ft
 62 Bottom Length ft
 1984 Bottom Area ft²
 10283 Actual Volume ft³ **Okay**
 4000 Actual Surface Area ft² **Okay**

4 Trial Weir Length ft
 1 Trial Depth of Flow ft
 12.0 Spillway Capacity cfs **Okay**

2 Skimmer Size (inches)
 0.167 Head on Skimmer (feet)
 1.5 Orifice Size (1/4 inch increments)
 3.62 Dewatering Time (days)
 Suggest about 3 days

Skimmer Size (Inches)
1.5
2
2.5
3
4
5
6
8



Skimmer Basin #12

7/22/2019 KCG

Okay

579 Water Surface Elev.

0.91 Disturbed Area (Acres)
 2.55 Peak Flow from 25-year Storm (cfs)

Q25= C I A= .35 x 8.02 in/hr x 0.91 acres

1638 Required Volume ft³
 830 Required Surface Area ft²
 20.4 Suggested Width ft
 40.7 Suggested Length ft

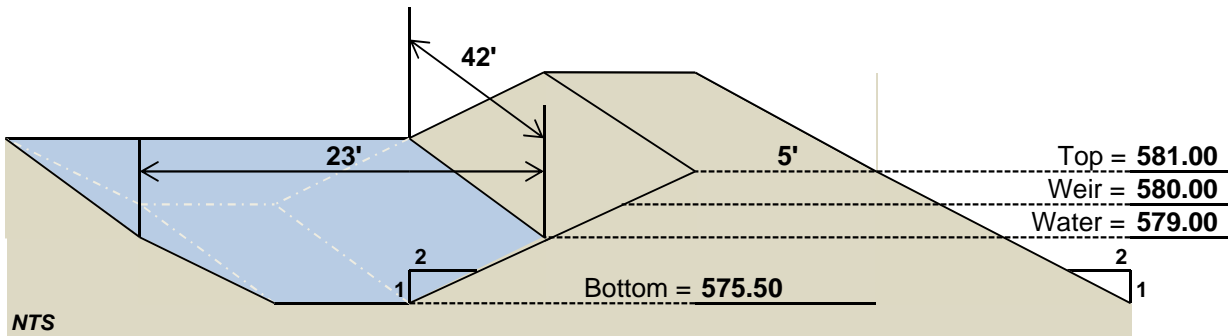
23 Trial Top Width at Spillway Invert ft
 42 Trial Top Length at Spillway Invert ft
 2 Trial Side Slope Ratio Z:1
 3.5 Trial Depth ft (2 to 3.5 feet above grade)

5 Bottom Width ft
 24 Bottom Length ft
 120 Bottom Area ft²
 1712 Actual Volume ft³ **Okay**
 966 Actual Surface Area ft² **Okay**

4 Trial Weir Length ft
 1 Trial Depth of Flow ft
 12.0 Spillway Capacity cfs **Okay**

1.5 Skimmer Size (inches)
 0.125 Head on Skimmer (feet)
 0.75 Orifice Size (1/4 inch increments)
 3.57 Dewatering Time (days)
 Suggest about 3 days

Skimmer Size (Inches)
1.5
2
2.5
3
4
5
6
8



Skimmer Basin #13

07/02/19 KCG

Okay

603 Water Surface Elev.

3.45 Disturbed Area (Acres)
 9.68 Peak Flow from 25-year Storm (cfs)

Q=.35x 8.02 in/hrx 3.45 ac

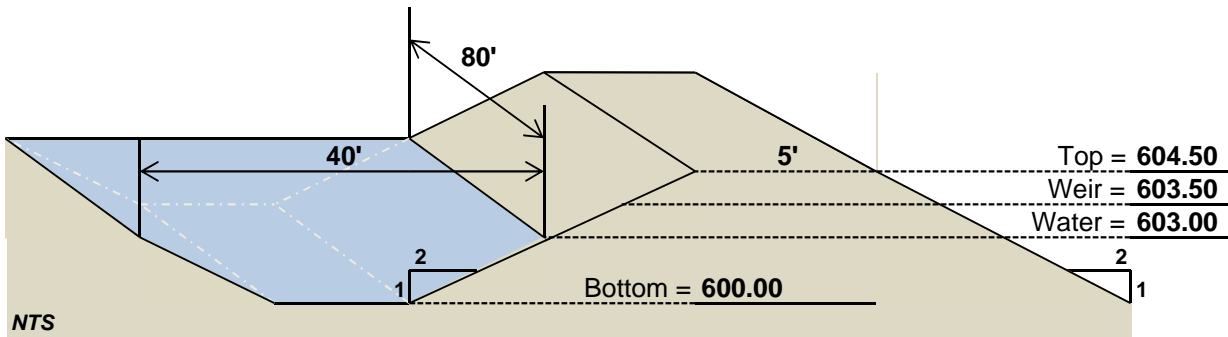
6210 Required Volume ft³
 3147 Required Surface Area ft²
 39.7 Suggested Width ft
 79.3 Suggested Length ft

40 Trial Top Width at Spillway Invert ft
 80 Trial Top Length at Spillway Invert ft
 2 Trial Side Slope Ratio Z:1
 3 Trial Depth ft (2 to 3.5 feet above grade)
 28 Bottom Width ft
 68 Bottom Length ft
 1904 Bottom Area ft²
 7584 Actual Volume ft³ **Okay**
 3200 Actual Surface Area ft² **Okay**

10 Trial Weir Length ft
 0.5 Trial Depth of Flow ft
 10.6 Spillway Capacity cfs **Okay**

2 Skimmer Size (inches)
 0.167 Head on Skimmer (feet)
 1.5 Orifice Size (1/4 inch increments)
 2.92 Dewatering Time (days)
 Suggest about 3 days

Skimmer Size (Inches)
1.5
2
2.5
3
4
5
6
8



Skimmer Basin #14

07/02/19 KCG

Okay

607 Water Surface Elev.

4.28 Disturbed Area (Acres)
 12.01 Peak Flow from 25-year Storm (cfs)

Q25= C I A= .35 x 8.02 in/hr x 4.28 acres

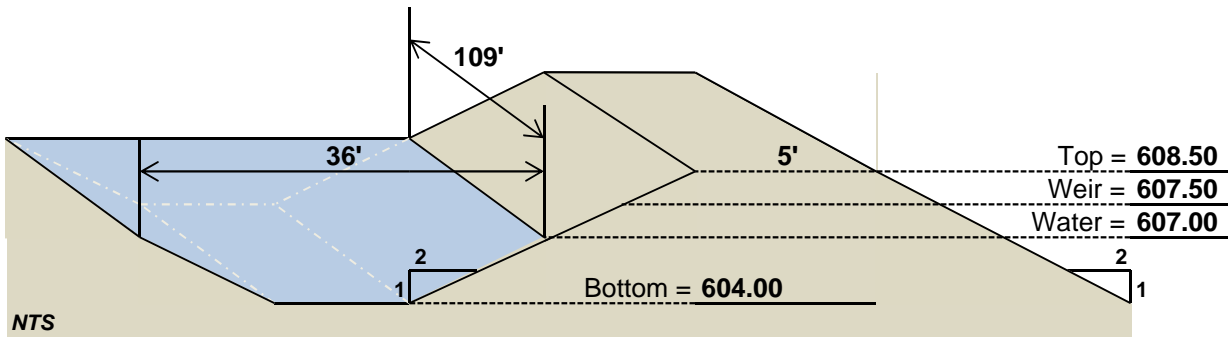
7704 Required Volume ft³
 3905 Required Surface Area ft²
 44.2 Suggested Width ft
 88.4 Suggested Length ft

36 Trial Top Width at Spillway Invert ft
 109 Trial Top Length at Spillway Invert ft
 2 Trial Side Slope Ratio Z:1
 3 Trial Depth ft (2 to 3.5 feet above grade)
 24 Bottom Width ft
 97 Bottom Length ft
 2328 Bottom Area ft²
 9306 Actual Volume ft³ **Okay**
 3924 Actual Surface Area ft² **Okay**

12 Trial Weir Length ft
 0.5 Trial Depth of Flow ft
 12.7 Spillway Capacity cfs **Okay**

3 Skimmer Size (inches)
 0.25 Head on Skimmer (feet)
 1.5 Orifice Size (1/4 inch increments)
 2.96 Dewatering Time (days)
 Suggest about 3 days

Skimmer Size (Inches)
1.5
2
2.5
3
4
5
6
8



Skimmer Basin #15

07/02/19 KCG

Okay

593.5 Water Surface Elev.

8.52 Disturbed Area (Acres)
 23.92 Peak Flow from 25-year Storm (cfs)

Q25= C I A= .35 x 8.02 in/hr x 8.52 acres

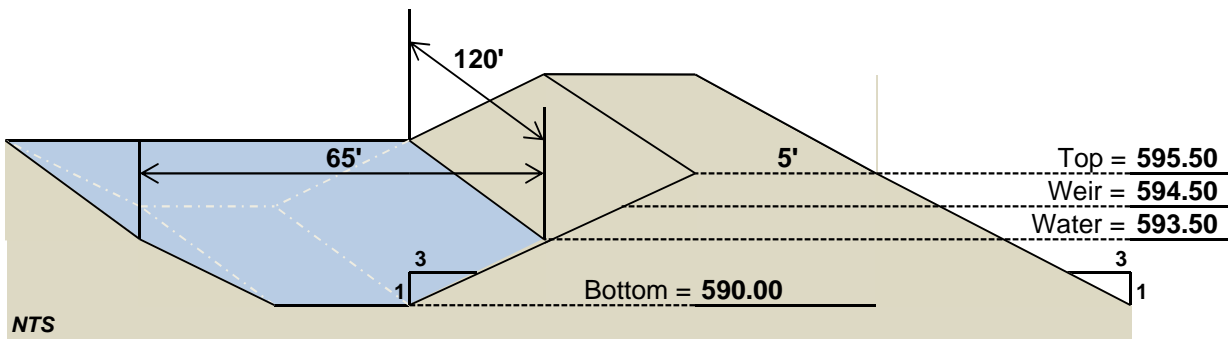
15336 Required Volume ft³
 7773 Required Surface Area ft²
 62.3 Suggested Width ft
 124.7 Suggested Length ft

65 Trial Top Width at Spillway Invert ft
 120 Trial Top Length at Spillway Invert ft
 3 Trial Side Slope Ratio Z:1
 3.5 Trial Depth ft (2 to 3.5 feet above grade)
 44 Bottom Width ft
 99 Bottom Length ft
 4356 Bottom Area ft²
 21016 Actual Volume ft³ **Okay**
 7800 Actual Surface Area ft² **Okay**

8 Trial Weir Length ft
 1 Trial Depth of Flow ft
 24.0 Spillway Capacity cfs **Okay**

5 Skimmer Size (inches)
 0.333 Head on Skimmer (feet)
 1.75 Orifice Size (1/4 inch increments)
 3.76 Dewatering Time (days)
 Suggest about 3 days

Skimmer Size (Inches)
1.5
2
2.5
3
4
5
6
8



Skimmer Basin #16

07/02/19 KCG

Okay

572 Water Surface Elev.

3.29 Disturbed Area (Acres)
 9.24 Peak Flow from 25-year Storm (cfs)

Q25= C I A= .35 x 80.2 in/hr x 3.29 acres

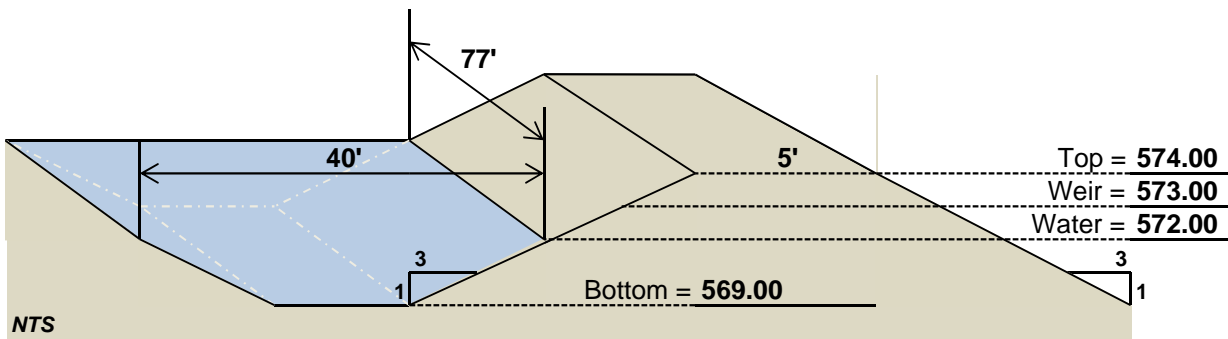
5922 Required Volume ft³
 3001 Required Surface Area ft²
 38.7 Suggested Width ft
 77.5 Suggested Length ft

40 Trial Top Width at Spillway Invert ft
 77 Trial Top Length at Spillway Invert ft
 3 Trial Side Slope Ratio Z:1
 3 Trial Depth ft (2 to 3.5 feet above grade)
 22 Bottom Width ft
 59 Bottom Length ft
 1298 Bottom Area ft²
 6405 Actual Volume ft³ **Okay**
 3080 Actual Surface Area ft² **Okay**

4 Trial Weir Length ft
 1 Trial Depth of Flow ft
 12.0 Spillway Capacity cfs **Okay**

2 Skimmer Size (inches)
 0.167 Head on Skimmer (feet)
 1.5 Orifice Size (1/4 inch increments)
 2.79 Dewatering Time (days)
 Suggest about 3 days

Skimmer Size (Inches)
1.5
2
2.5
3
4
5
6
8



Skimmer Basin #17

07/02/19 KCG

Okay

617 Water Surface Elev.

4.51 Disturbed Area (Acres)
 12.66 Peak Flow from 25-year Storm (cfs)

Q25= C I A= .35 x 8.02 in/hr x 4.51 acres

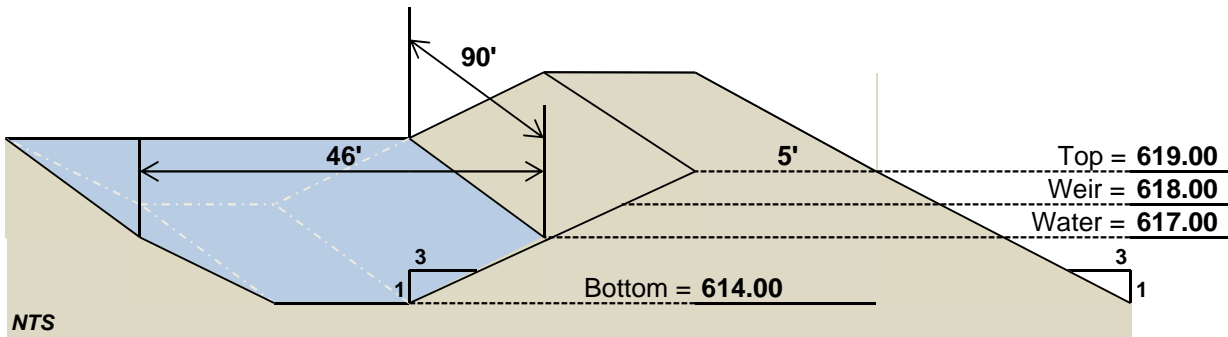
8118 Required Volume ft³
 4114 Required Surface Area ft²
 45.4 Suggested Width ft
 90.7 Suggested Length ft

46 Trial Top Width at Spillway Invert ft
 90 Trial Top Length at Spillway Invert ft
 3 Trial Side Slope Ratio Z:1
 3 Trial Depth ft (2 to 3.5 feet above grade)
 28 Bottom Width ft
 72 Bottom Length ft
 2016 Bottom Area ft²
 9072 Actual Volume ft³ **Okay**
 4140 Actual Surface Area ft² **Okay**

5 Trial Weir Length ft
 1 Trial Depth of Flow ft
 15.0 Spillway Capacity cfs **Okay**

3 Skimmer Size (inches)
 0.25 Head on Skimmer (feet)
 1.5 Orifice Size (1/4 inch increments)
 3.12 Dewatering Time (days)
 Suggest about 3 days

Skimmer Size (Inches)
1.5
2
2.5
3
4
5
6
8



Skimmer Basin #18

07/02/19 KCG

Okay

617.5 Water Surface Elev.

2.51 Disturbed Area (Acres)
 7.05 Peak Flow from 25-year Storm (cfs)

Q25= C I A= .35 x 8.02 in/hr x 2.51 acres

4518 Required Volume ft³
 2290 Required Surface Area ft²
 33.8 Suggested Width ft
 67.7 Suggested Length ft

35 Trial Top Width at Spillway Invert ft
 67 Trial Top Length at Spillway Invert ft
 3 Trial Side Slope Ratio Z:1
 3 Trial Depth ft (2 to 3.5 feet above grade)

17 Bottom Width ft
 49 Bottom Length ft
 833 Bottom Area ft²
 4605 Actual Volume ft³
 2345 Actual Surface Area ft²

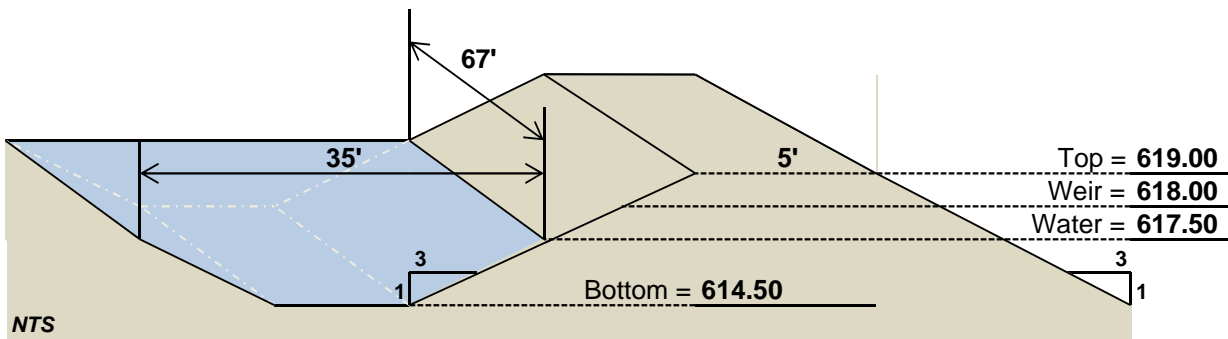
Okay
Okay

7 Trial Weir Length ft
 0.5 Trial Depth of Flow ft
 7.4 Spillway Capacity cfs

Okay

2 Skimmer Size (inches)
 0.167 Head on Skimmer (feet)
 1.25 Orifice Size (1/4 inch increments)
 3.06 Dewatering Time (days)
 Suggest about 3 days

Skimmer Size (Inches)
1.5
2
2.5
3
4
5
6
8



Skimmer Basin #19

07/02/19 KCG

Okay

624.5 Water Surface Elev.

4.34 Disturbed Area (Acres)
 12.18 Peak Flow from 25-year Storm (cfs)

Q25= C I A= .35 x 8.02 in/hr x 4.34acres

7812 Required Volume ft³
 3959 Required Surface Area ft²
 44.5 Suggested Width ft
 89.0 Suggested Length ft

44 Trial Top Width at Spillway Invert ft
 90 Trial Top Length at Spillway Invert ft
 3 Trial Side Slope Ratio Z:1
 3 Trial Depth ft (2 to 3.5 feet above grade)

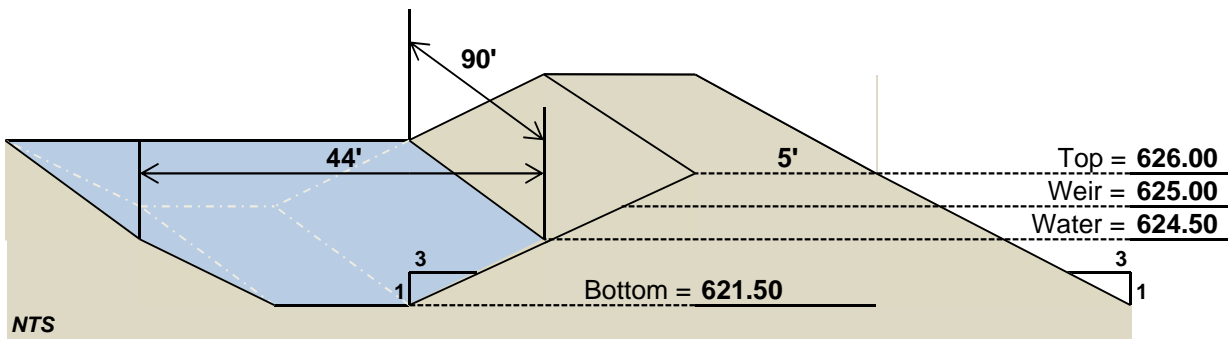
26 Bottom Width ft
 72 Bottom Length ft
 1872 Bottom Area ft²

8586 Actual Volume ft³ **Okay**
 3960 Actual Surface Area ft² **Okay**

12 Trial Weir Length ft
 0.5 Trial Depth of Flow ft
 12.7 Spillway Capacity cfs **Okay**

1.5 Skimmer Size (inches)
 0.125 Head on Skimmer (feet)
 1.75 Orifice Size (1/4 inch increments)
 3.12 Dewatering Time (days)
 Suggest about 3 days

Skimmer Size (Inches)
1.5
2
2.5
3
4
5
6
8



Skimmer Basin #20

07/22/19 KCG

Okay

614 Water Surface Elev.

2.85 Disturbed Area (Acres)
 9.21 Peak Flow from 25-year Storm (cfs)

Q25= C I A= .35 x 8.02 in/hr x 2.85 acres

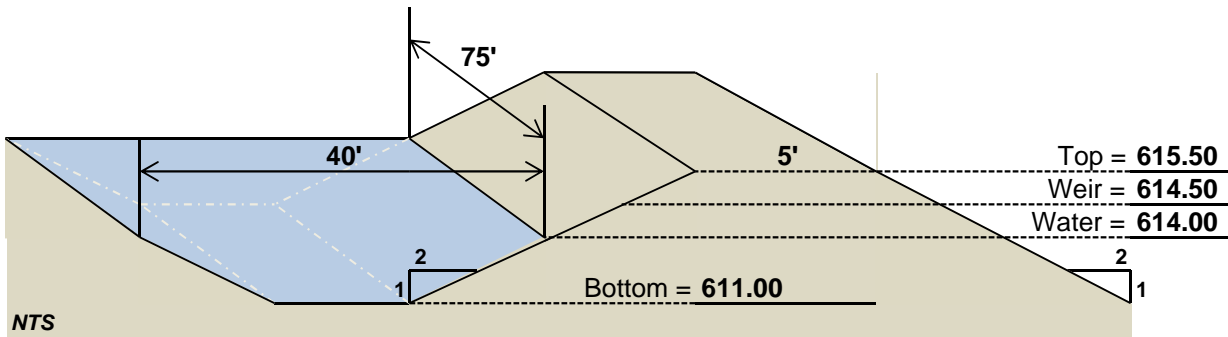
5130 Required Volume ft³
 2992 Required Surface Area ft²
 38.7 Suggested Width ft
 77.4 Suggested Length ft

40 Trial Top Width at Spillway Invert ft
 75 Trial Top Length at Spillway Invert ft
 2 Trial Side Slope Ratio Z:1
 3 Trial Depth ft (2 to 3.5 feet above grade)
 28 Bottom Width ft
 63 Bottom Length ft
 1764 Bottom Area ft²
 7074 Actual Volume ft³ **Okay**
 3000 Actual Surface Area ft² **Okay**

9 Trial Weir Length ft
 0.5 Trial Depth of Flow ft
 9.5 Spillway Capacity cfs **Okay**

2 Skimmer Size (inches)
 0.167 Head on Skimmer (feet)
 1.25 Orifice Size (1/4 inch increments)
 3.48 Dewatering Time (days)
 Suggest about 3 days

Skimmer Size (Inches)
1.5
2
2.5
3
4
5
6
8



Skimmer Basin #21

07/02/19 KCG

Okay

615.5 Water Surface Elev.

2.46 Disturbed Area (Acres)
 6.91 Peak Flow from 25-year Storm (cfs)

Q25= C I A= .35 x 8.02 in/hr x 2.46 acres

4428 Required Volume ft³
 2244 Required Surface Area ft²
 33.5 Suggested Width ft
 67.0 Suggested Length ft

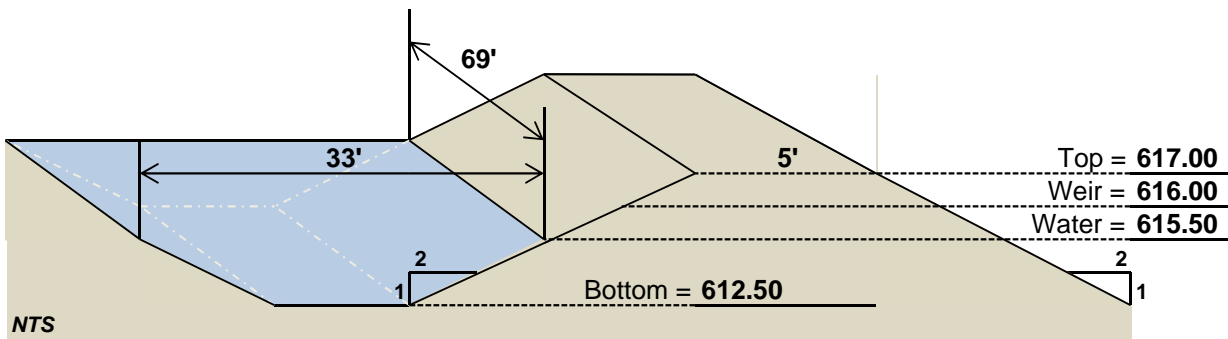
33 Trial Top Width at Spillway Invert ft
 69 Trial Top Length at Spillway Invert ft
 2 Trial Side Slope Ratio Z:1
 3 Trial Depth ft (2 to 3.5 feet above grade)

21 Bottom Width ft
 57 Bottom Length ft
 1197 Bottom Area ft²
 5139 Actual Volume ft³ **Okay**
 2277 Actual Surface Area ft² **Okay**

7 Trial Weir Length ft
 0.5 Trial Depth of Flow ft
 7.4 Spillway Capacity cfs **Okay**

2 Skimmer Size (inches)
 0.167 Head on Skimmer (feet)
 1.25 Orifice Size (1/4 inch increments)
 3.00 Dewatering Time (days)
 Suggest about 3 days

Skimmer Size (Inches)
1.5
2
2.5
3
4
5
6
8



Skimmer Basin #22

07/22/19 KCG

Okay

606.75 Water Surface Elev.

1.70 Disturbed Area (Acres)
 4.77 Peak Flow from 25-year Storm (cfs)

Q25= C I A= .35 x 8.02 in/hr x 1.70 acres

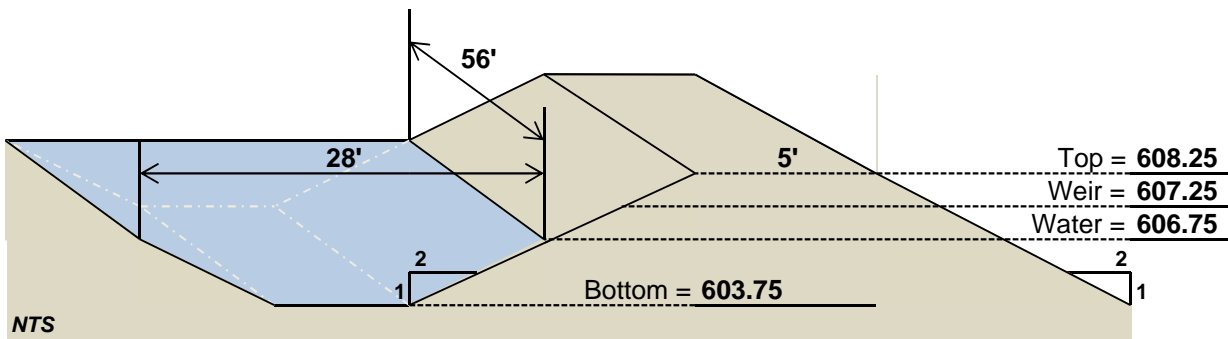
3056.4 Required Volume ft³
 1549 Required Surface Area ft²
 27.8 Suggested Width ft
 55.7 Suggested Length ft

28 Trial Top Width at Spillway Invert ft
 56 Trial Top Length at Spillway Invert ft
 2 Trial Side Slope Ratio Z:1
 3 Trial Depth ft (2 to 3.5 feet above grade)
 16 Bottom Width ft
 44 Bottom Length ft
 704 Bottom Area ft²
 3336 Actual Volume ft³ **Okay**
 1568 Actual Surface Area ft² **Okay**

5 Trial Weir Length ft
 0.5 Trial Depth of Flow ft
 5.3 Spillway Capacity cfs **Okay**

1.5 Skimmer Size (inches)
 0.125 Head on Skimmer (feet)
 1 Orifice Size (1/4 inch increments)
 3.74 Dewatering Time (days)
 Suggest about 3 days

Skimmer Size (Inches)
1.5
2
2.5
3
4
5
6
8



Skimmer Basin #23

07/22/19 KCG

Okay

605 Water Surface Elev.

3.23 Disturbed Area (Acres)
 17.26 Peak Flow from 25-year Storm (cfs)

Q25= C I A= .35 x 8.02 in/hr x 3.23 acres

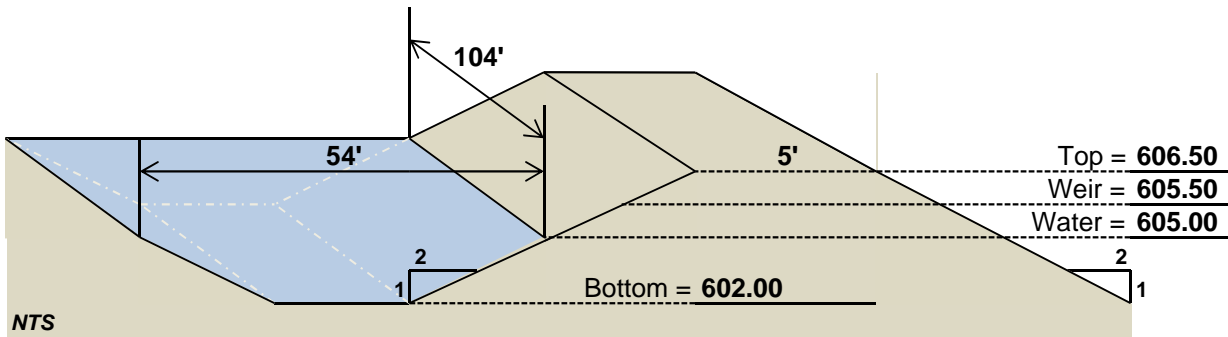
5814 Required Volume ft³
 5610 Required Surface Area ft²
 53.0 Suggested Width ft
 105.9 Suggested Length ft

54 Trial Top Width at Spillway Invert ft
 104 Trial Top Length at Spillway Invert ft
 2 Trial Side Slope Ratio Z:1
 3 Trial Depth ft (2 to 3.5 feet above grade)
 42 Bottom Width ft
 92 Bottom Length ft
 3864 Bottom Area ft²
 14148 Actual Volume ft³ **Okay**
 5616 Actual Surface Area ft² **Okay**

17 Trial Weir Length ft
 0.5 Trial Depth of Flow ft
 18.0 Spillway Capacity cfs **Okay**

1.5 Skimmer Size (inches)
 0.125 Head on Skimmer (feet)
 1.5 Orifice Size (1/4 inch increments)
 3.16 Dewatering Time (days)
 Suggest about 3 days

Skimmer Size (Inches)
1.5
2
2.5
3
4
5
6
8



Skimmer Basin #24

07/02/19 KCG

Okay

624 Water Surface Elev.

6.65 Disturbed Area (Acres)
 18.67 Peak Flow from 25-year Storm (cfs)

Q25= C I A= .35 x 8.02 in/hr x 6.65 acres

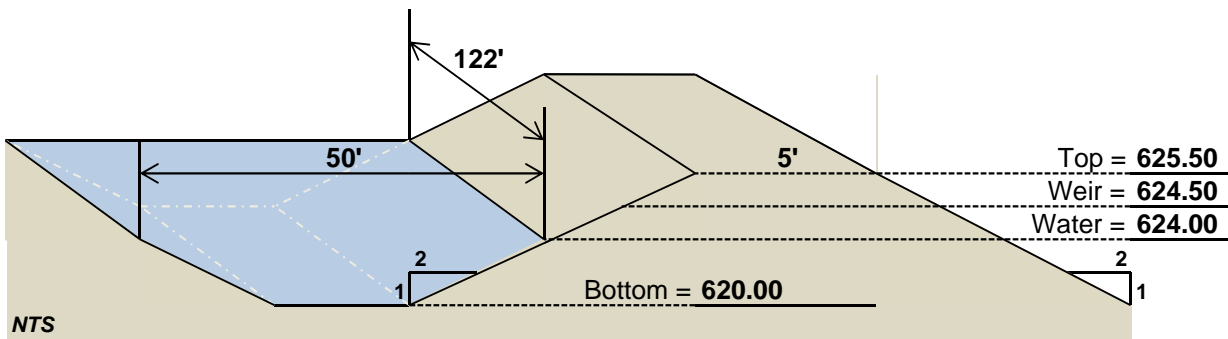
11970 Required Volume ft³
 6067 Required Surface Area ft²
 55.1 Suggested Width ft
 110.2 Suggested Length ft

50 Trial Top Width at Spillway Invert ft
 122 Trial Top Length at Spillway Invert ft
 2 Trial Side Slope Ratio Z:1
 3 Trial Depth ft (2 to 3.5 feet above grade)
 38 Bottom Width ft
 110 Bottom Length ft
 4180 Bottom Area ft²
 15348 Actual Volume ft³ **Okay**
 6100 Actual Surface Area ft² **Okay**

18 Trial Weir Length ft
 0.5 Trial Depth of Flow ft
 19.1 Spillway Capacity cfs **Okay**

3 Skimmer Size (inches)
 0.25 Head on Skimmer (feet)
 1.75 Orifice Size (1/4 inch increments)
 3.38 Dewatering Time (days)
 Suggest about 3 days

Skimmer Size (Inches)
1.5
2
2.5
3
4
5
6
8



Skimmer Basin #25

07/02/19 KCG

Okay

633.3 Water Surface Elev.

1.6 Disturbed Area (Acres)
 4.49 Peak Flow from 25-year Storm (cfs)

Q25= C I A= .35 x 8.02 in/hr x 1.60 acres

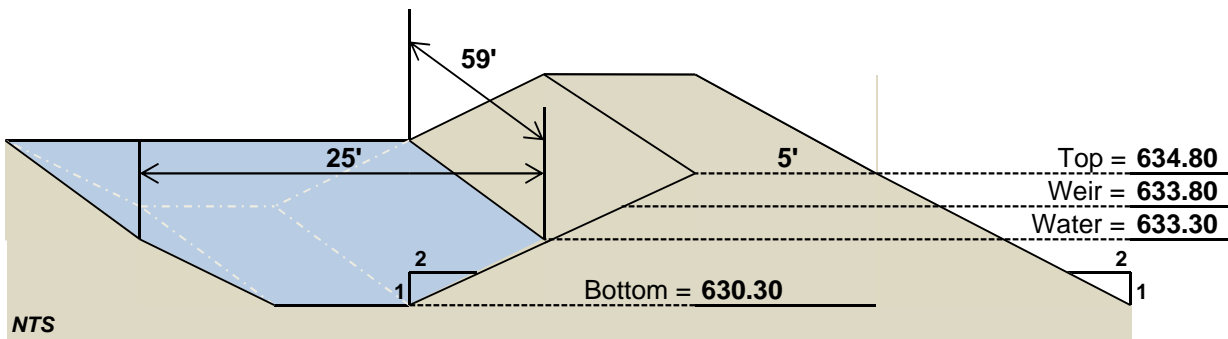
2880 Required Volume ft³
 1460 Required Surface Area ft²
 27.0 Suggested Width ft
 54.0 Suggested Length ft

25 Trial Top Width at Spillway Invert ft
 59 Trial Top Length at Spillway Invert ft
 2 Trial Side Slope Ratio Z:1
 3 Trial Depth ft (2 to 3.5 feet above grade)
 13 Bottom Width ft
 47 Bottom Length ft
 611 Bottom Area ft²
 3057 Actual Volume ft³ **Okay**
 1475 Actual Surface Area ft² **Okay**

5 Trial Weir Length ft
 0.5 Trial Depth of Flow ft
 5.3 Spillway Capacity cfs **Okay**

2 Skimmer Size (inches)
 0.167 Head on Skimmer (feet)
 1 Orifice Size (1/4 inch increments)
 3.05 Dewatering Time (days)
 Suggest about 3 days

Skimmer Size (Inches)
1.5
2
2.5
3
4
5
6
8



Skimmer Basin #26

07/02/19 kg

Okay

617 Water Surface Elev.

6.79 Disturbed Area (Acres)
 19.06 Peak Flow from 25-year Storm (cfs)

Q25= C I A= .35 x 8.02 in/hr x 6.79 acres

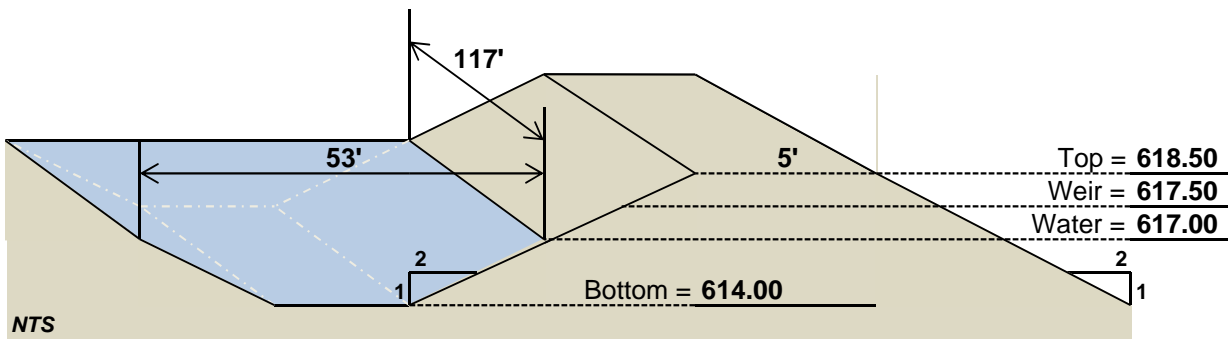
12222 Required Volume ft³
 6195 Required Surface Area ft²
 55.7 Suggested Width ft
 111.3 Suggested Length ft

53 Trial Top Width at Spillway Invert ft
 117 Trial Top Length at Spillway Invert ft
 2 Trial Side Slope Ratio Z:1
 3 Trial Depth ft (2 to 3.5 feet above grade)
 41 Bottom Width ft
 105 Bottom Length ft
 4305 Bottom Area ft²
 15687 Actual Volume ft³ **Okay**
 6201 Actual Surface Area ft² **Okay**

18 Trial Weir Length ft
 0.5 Trial Depth of Flow ft
 19.1 Spillway Capacity cfs **Okay**

3 Skimmer Size (inches)
 0.25 Head on Skimmer (feet)
 1.75 Orifice Size (1/4 inch increments)
 3.46 Dewatering Time (days)
 Suggest about 3 days

Skimmer Size (Inches)
1.5
2
2.5
3
4
5
6
8



Skimmer Basin #27

07/23/19 kgc

Okay

619.2 Water Surface Elev.

3.33 Disturbed Area (Acres)
9.35 Peak Flow from 25-year Storm (cfs)

Q25= C I A= .35 x 8.02 in/hr x 3.33 acres

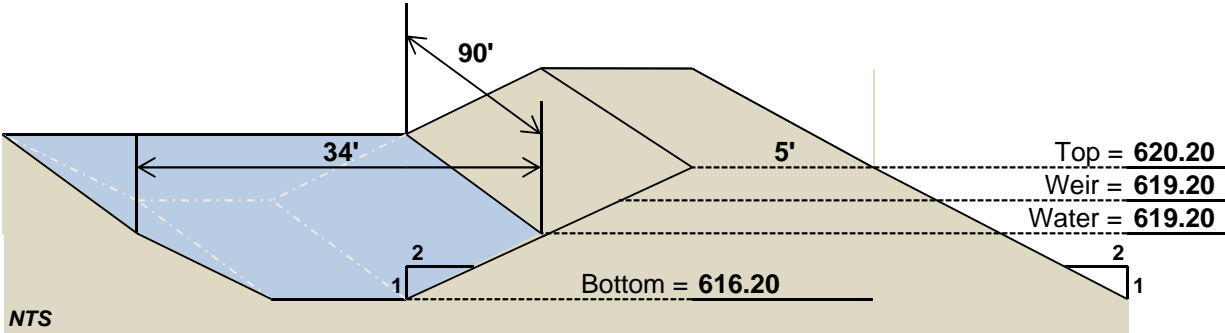
5994 Required Volume ft³
3038 Required Surface Area ft²
39.0 Suggested Width ft
77.9 Suggested Length ft

34 Trial Top Width at Spillway Invert ft
90 Trial Top Length at Spillway Invert ft
2 Trial Side Slope Ratio Z:1
3 Trial Depth ft (2 to 3.5 feet above grade)
22 Bottom Width ft
78 Bottom Length ft
1716 Bottom Area ft²
7092 Actual Volume ft³ **Okay**
3060 Actual Surface Area ft² **Okay**

8 Trial Weir Length ft
1 Trial Depth of Flow ft
24.0 Spillway Capacity cfs **Okay**

3 Skimmer Size (inches)
0.25 Head on Skimmer (feet)
1.25 Orifice Size (1/4 inch increments)
3.32 Dewatering Time (days)
 Suggest about 3 days

Skimmer Size (Inches)
1.5
2
2.5
3
4
5
6
8



Skimmer Basin #28

07/22/19 kgc

Okay

586 Water Surface Elev.

0.73 Disturbed Area (Acres)
 2.05 Peak Flow from 25-year Storm (cfs)

Q25= C I A= .35 x 8.02 in/hr x 0.73 acres

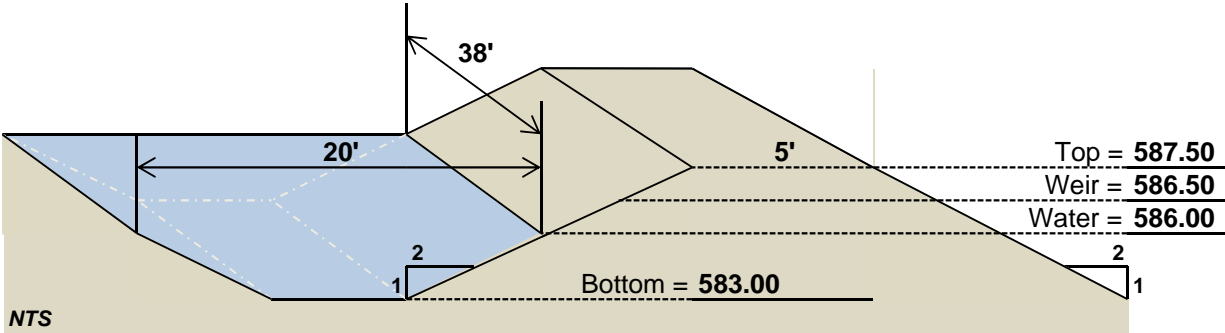
1314 Required Volume ft³
 666 Required Surface Area ft²
 18.2 Suggested Width ft
 36.5 Suggested Length ft

20 Trial Top Width at Spillway Invert ft
 38 Trial Top Length at Spillway Invert ft
 2 Trial Side Slope Ratio Z:1
 3 Trial Depth ft (2 to 3.5 feet above grade)
 8 Bottom Width ft
 26 Bottom Length ft
 208 Bottom Area ft²
 1380 Actual Volume ft³ **Okay**
 760 Actual Surface Area ft² **Okay**

4 Trial Weir Length ft
 0.5 Trial Depth of Flow ft
 4.2 Spillway Capacity cfs **Okay**

3 Skimmer Size (inches)
 0.25 Head on Skimmer (feet)
 1.25 Orifice Size (1/4 inch increments)
 0.73 Dewatering Time (days)
 Suggest about 3 days

Skimmer Size (Inches)
1.5
2
2.5
3
4
5
6
8



Skimmer Basin #29

07/22/19 KCG

Okay

583 Water Surface Elev.

0.73 Disturbed Area (Acres)
 2.05 Peak Flow from 10-year Storm (cfs)

Q25= C I A= .35 x 8.02 in/hr x 0.73 acres

1314 Required Volume ft³
 666 Required Surface Area ft²
 18.2 Suggested Width ft
 36.5 Suggested Length ft

20 Trial Top Width at Spillway Invert ft
 35 Trial Top Length at Spillway Invert ft
 2 Trial Side Slope Ratio Z:1
 3.5 Trial Depth ft (2 to 3.5 feet above grade)

6 Bottom Width ft
 21 Bottom Length ft
 126 Bottom Area ft²
 1331 Actual Volume ft³
 700 Actual Surface Area ft²

Okay

Okay

4 Trial Weir Length ft
 0.5 Trial Depth of Flow ft
 4.2 Spillway Capacity cfs

Okay

2 Skimmer Size (inches)
 0.167 Head on Skimmer (feet)
 1.5 Orifice Size (1/4 inch increments)
 0.62 Dewatering Time (days)
 Suggest about 3 days

Skimmer Size (Inches)
1.5
2
2.5
3
4
5
6
8

