

*Paul A. Simpson*  
NORTH CAROLINA PROFESSIONAL ENGINEER  
PAUL A. SIMPSON  
22052  
7/23/19

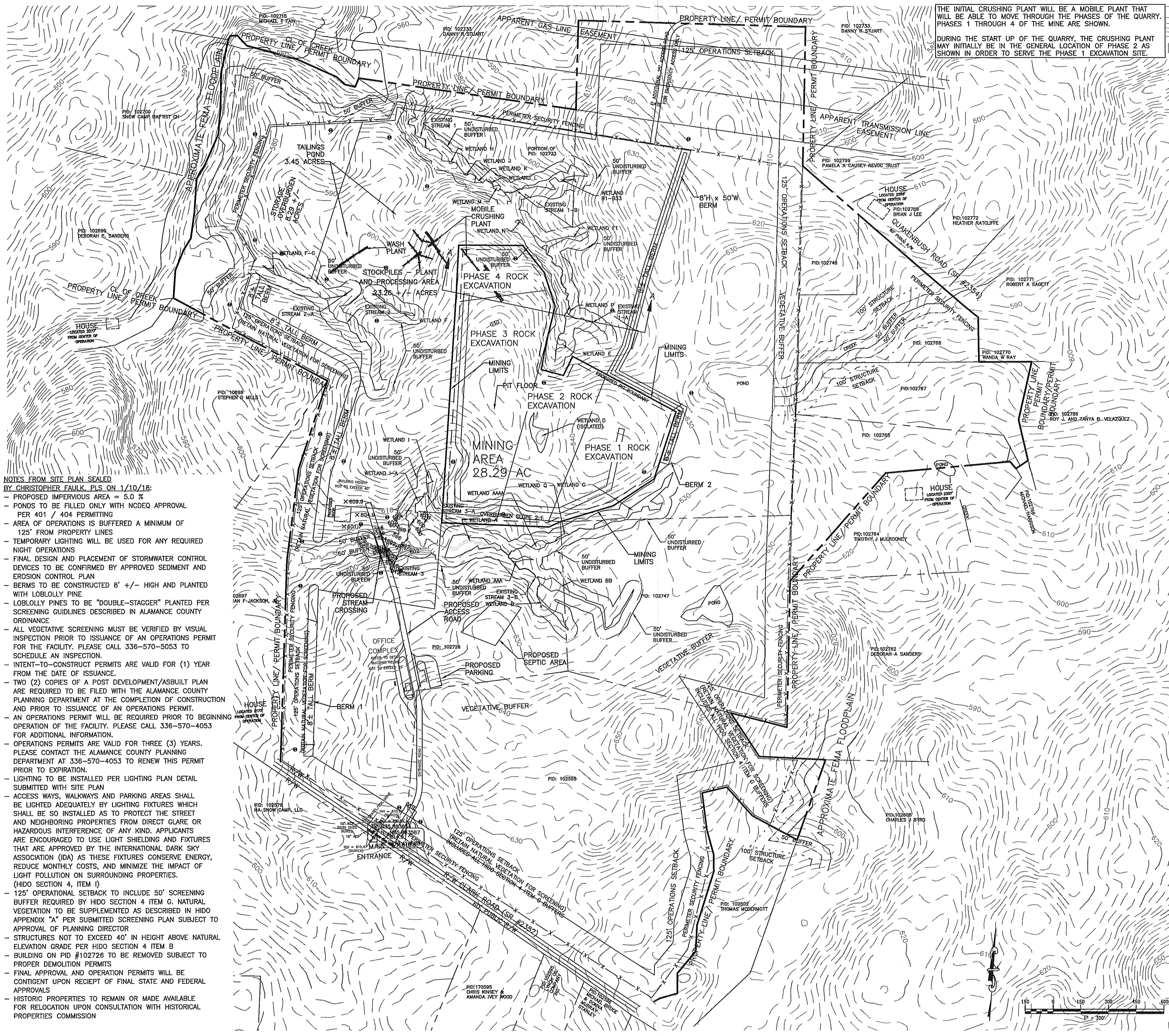
© 2019 LaBella Associates

**ALAMANCE  
AGGREGATES, LLC**

Mr. Chad Threatt, VP

**Snow Camp Mine**

NO:	DATE:	DESCRIPTION:
REVISIONS		
PROJECT NUMBER:	2190335	
DRAWN BY:	KCG/ATC	
REVIEWED BY:	PAS	
ISSUED FOR:	CONSTRUCTION	
DATE:	7/22/19	
DRAWING NAME:	MINE MAP	
DRAWING NUMBER:	C201	



NOTES FROM SITE PLAN SEALED BY CHRISTOPHER FAULK, PLS ON 1/10/18:

- PROPOSED IMPERVIOUS AREA = 5.0 %
- PONDS TO BE FILLED ONLY WITH NCDCE APPROVAL PER 401 / 404 PERMITTING
- AREA OF OPERATIONS IS BUFFERED A MINIMUM OF 125' FROM PROPERTY LINES
- TEMPORARY LIGHTING WILL BE USED FOR ANY REQUIRED NIGHT OPERATIONS
- FINAL DESIGN AND PLACEMENT OF STORMWATER CONTROL DEVICES TO BE CONFIRMED BY APPROVED SEDIMENT AND EROSION CONTROL PLAN
- BERMS TO BE CONSTRUCTED 8' +/- HIGH AND PLANTED WITH LOBLOLLY PINE
- LOBLOLLY PINES TO BE "DOUBLE-STAGGER" PLANTED PER SCREENING GUIDELINES DESCRIBED IN ALAMANCE COUNTY ORDINANCE
- ALL VEGETATIVE SCREENING MUST BE VERIFIED BY VISUAL INSPECTION PRIOR TO ISSUANCE OF AN OPERATIONS PERMIT FOR THE FACILITY. PLEASE CALL 336-570-5053 TO SCHEDULE AN INSPECTION.
- INTENT-TO-CONSTRUCT PERMITS ARE VALID FOR (1) YEAR FROM THE DATE OF ISSUANCE.
- TWO (2) COPIES OF A POST DEVELOPMENT/ASBUILT PLAN ARE REQUIRED TO BE FILED WITH THE ALAMANCE COUNTY PLANNING DEPARTMENT AT THE COMPLETION OF CONSTRUCTION AND PRIOR TO ISSUANCE OF AN OPERATIONS PERMIT.
- AN OPERATIONS PERMIT WILL BE REQUIRED PRIOR TO BEGINNING OPERATION OF THE FACILITY. PLEASE CALL 336-570-4053 FOR ADDITIONAL INFORMATION.
- OPERATIONS PERMITS ARE VALID FOR THREE (3) YEARS. PLEASE CONTACT THE ALAMANCE COUNTY PLANNING DEPARTMENT AT 336-570-4053 TO RENEW THIS PERMIT PRIOR TO EXPIRATION.
- LIGHTING TO BE INSTALLED PER LIGHTING PLAN DETAIL SUBMITTED WITH SITE PLAN
- ACCESS WAYS, WALKWAYS AND PARKING AREAS SHALL BE LIGHTED ADEQUATELY BY LIGHTING FIXTURES WHICH SHALL BE SO INSTALLED AS TO PROTECT THE STREET AND NEIGHBORING PROPERTIES FROM DIRECT GLARE OR HAZARDOUS INTERFERENCE OF ANY KIND. APPLICANTS ARE ENCOURAGED TO USE LIGHT SHIELDING AND FIXTURES THAT ARE APPROVED BY THE INTERNATIONAL DARK SKY ASSOCIATION (IDA) AS THESE FIXTURES CONSERVE ENERGY, REDUCE MONTHLY COSTS, AND MINIMIZE THE IMPACT OF LIGHT POLLUTION ON SURROUNDING PROPERTIES. (HIDO SECTION 4, ITEM I)
- 125' OPERATIONAL SETBACK TO INCLUDE 50' SCREENING BUFFER REQUIRED BY HIDO SECTION 4 ITEM G. NATURAL VEGETATION TO BE SUPPLEMENTED AS DESCRIBED IN SUBJECT APPENDIX "A" PER SUBMITTED SCREENING PLAN SUBJECT TO APPROVAL OF PLANNING DIRECTOR
- STRUCTURES NOT TO EXCEED 40' IN HEIGHT ABOVE NATURAL ELEVATION GRADE PER HIDO SECTION 4 ITEM B
- BUILDING ON PID #102726 TO BE REMOVED SUBJECT TO PROPER DEMOLITION PERMITS
- FINAL APPROVAL AND OPERATION PERMITS WILL BE CONTINGENT UPON RECEIPT OF FINAL STATE AND FEDERAL APPROVALS
- HISTORIC PROPERTIES TO REMAIN OR MADE AVAILABLE FOR RELOCATION UPON CONSULTATION WITH HISTORICAL PROPERTIES COMMISSION

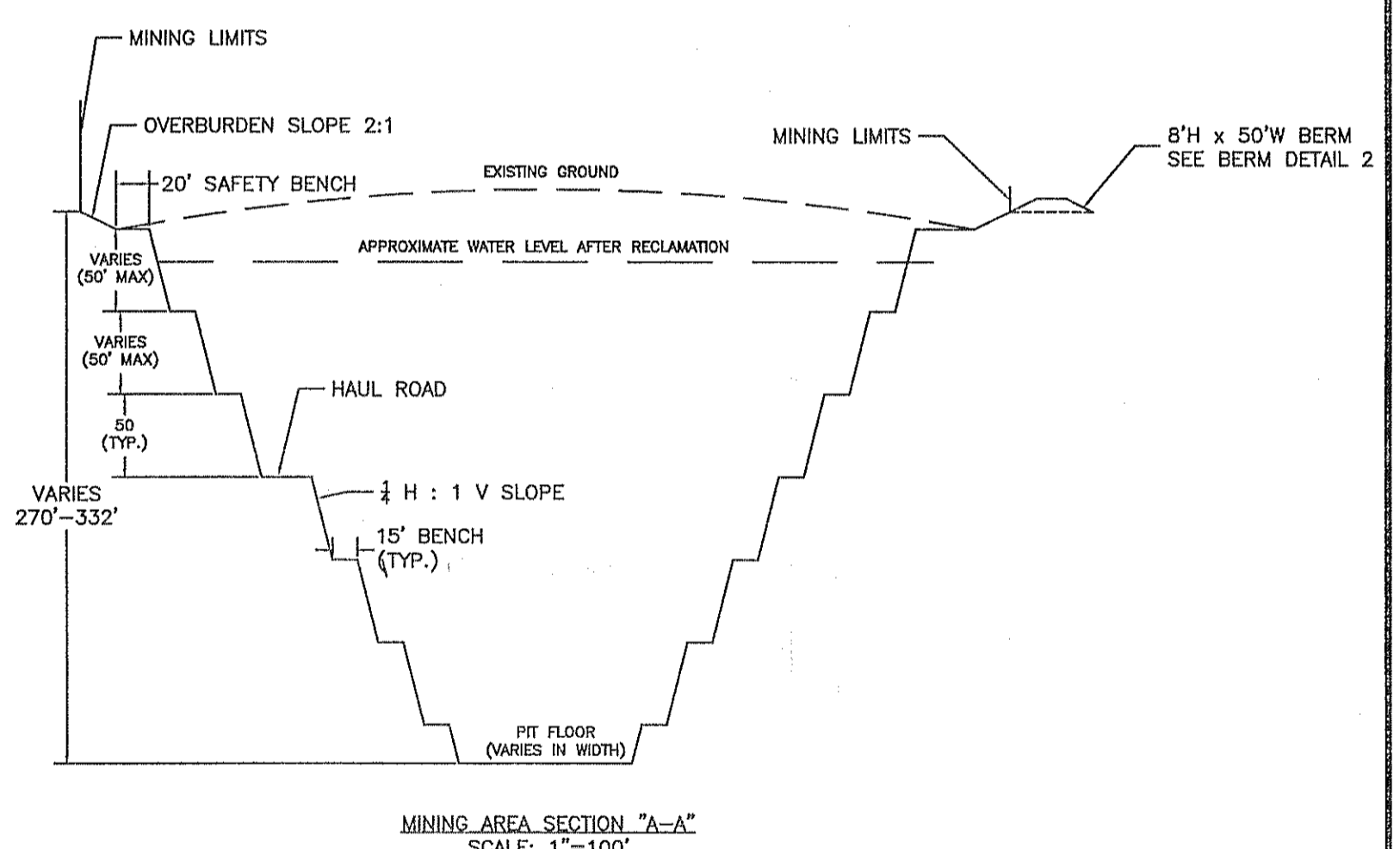
THE INITIAL CRUSHING PLANT WILL BE A MOBILE PLANT THAT WILL BE ABLE TO MOVE THROUGH THE PHASES OF THE QUARRY. PHASES 1 THROUGH 4 OF THE MINE ARE SHOWN.

DURING THE START UP OF THE QUARRY, THE CRUSHING PLANT MAY INITIALLY BE IN THE GENERAL LOCATION OF PHASE 2 AS SHOWN IN ORDER TO SERVE THE PHASE 1 EXCAVATION SITE.

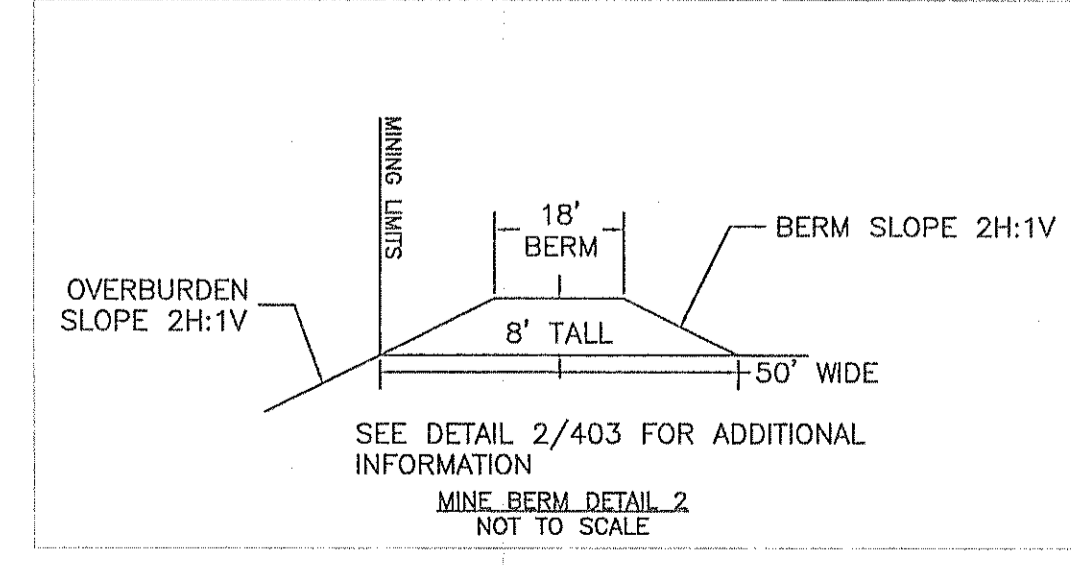
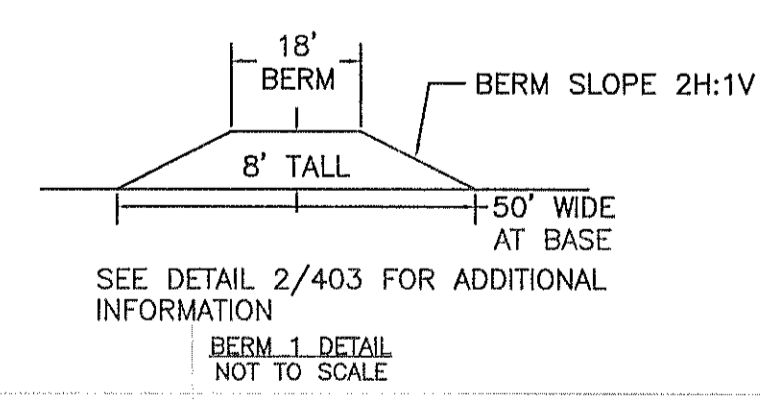
LEGEND

PROPERTY LINE	---
EXISTING BUILDING	□
PROPOSED BUILDING	□
MINE PERIMETER	---
PROPOSED SECURITY FENCE	-x-x-x-x-
50' UNDISTURBED BUFFER	----
100' STRUCTURE SETBACK BUFFER	.....
125' OPERATIONS SETBACK BUFFER	-----
PROPOSED SKIMMER BASIN	○
DISTURBED AREA	□

CATEGORY	APPROXIMATE IMPACT ACRES
TAILING/SEDIMENT PONDS	6.86
STOCKPILE	25.86
WASTEPILES	13.01
PROCESSING/HAUL ROAD	5.24
MINE EXCAVATION	28.29
OTHER (SHOP, EMERGENCY ACCESS, FENCE, ETC.)	6.87
<b>TOTAL IMPACT</b>	<b>85.93</b>



THE INITIAL & ULTIMATE CLEARING LIMITS ARE THE SAME. THE OVERBURDEN SOIL WILL BE REMOVED OVER ALL THE PHASES 1 THROUGH 4 AT ONE TIME. THE PHASES HAVE BEEN SHOWN FOR ROCK EXCAVATION DELINEATIONS.



UNNAMED TRIBUTARIES TO REEDY BRANCH AND UNNAMED TRIBUTARIES TO CANE CREEK FLOW THROUGH THE SITE. REEDY AND CANE CREEKS ARE IN THE CAPE FEAR RIVER BASIN ARE CLASSIFIED AS WS V AND NUTRIENT SENSITIVE WATERS BY NCDWR