

**ALAMANCE
AGGREGATES, LLC**

Mr. Chad Threatt, VP

Snow Camp Mine

2	3/31/20	NCDEMLR COMMENTS
1	1/20/20	ADDITIONAL STREAM INFO - ALAM. AGG. & LAND QUALITY COMMENTS
NO.	DATE:	DESCRIPTION:

PROJECT NUMBER: 2190335

DRAWN BY: KCG/ATC/BWS

REVIEWED BY: PAS

ISSUED FOR: CONSTRUCTION

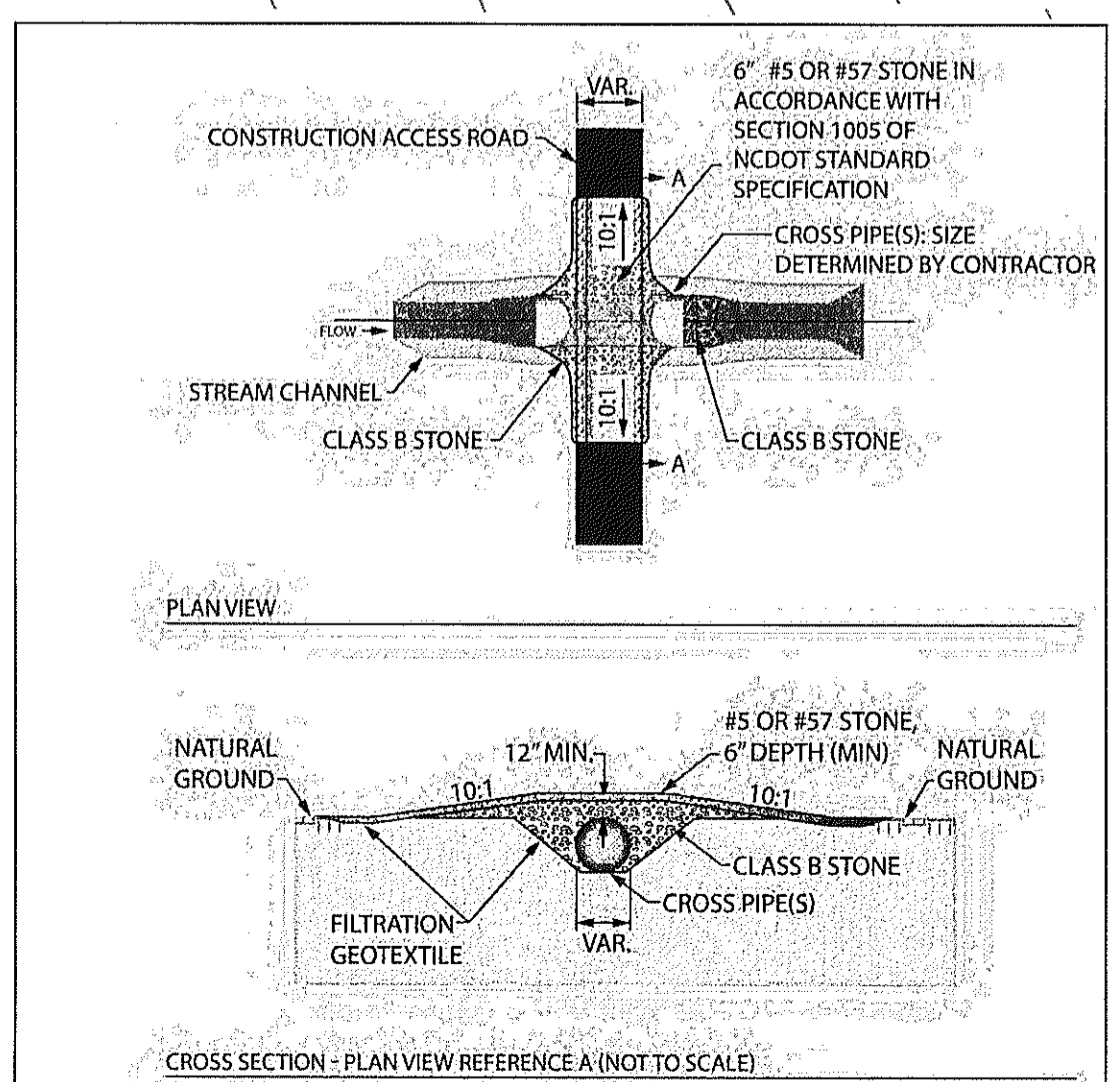
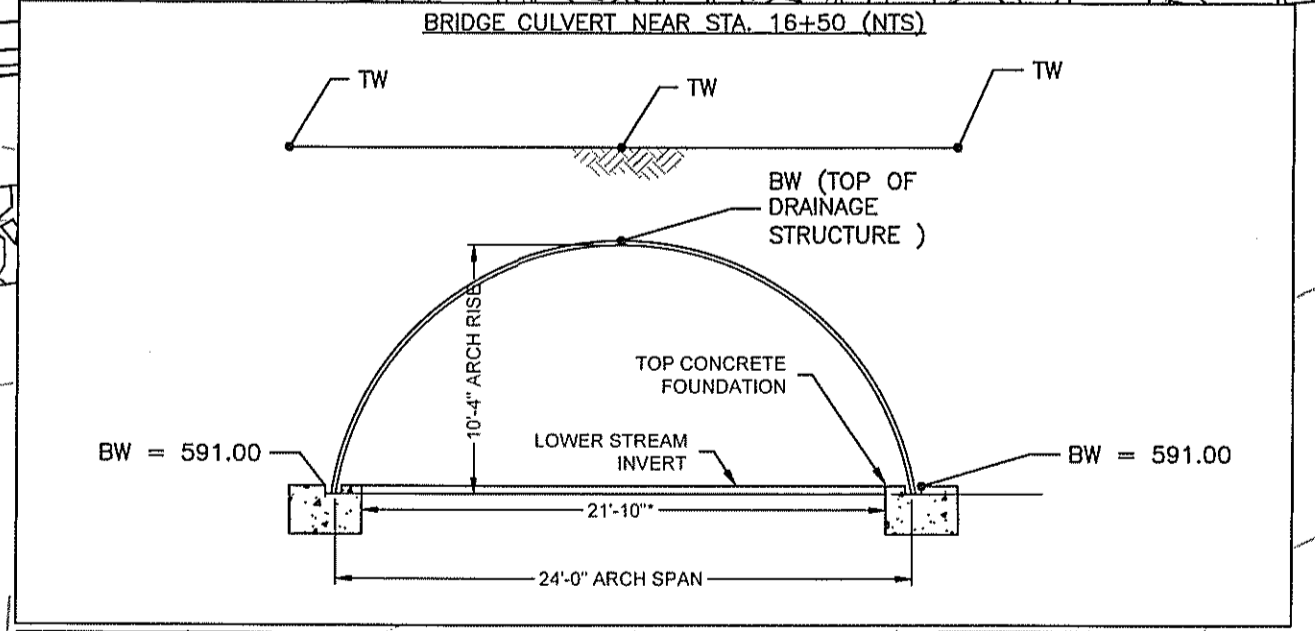
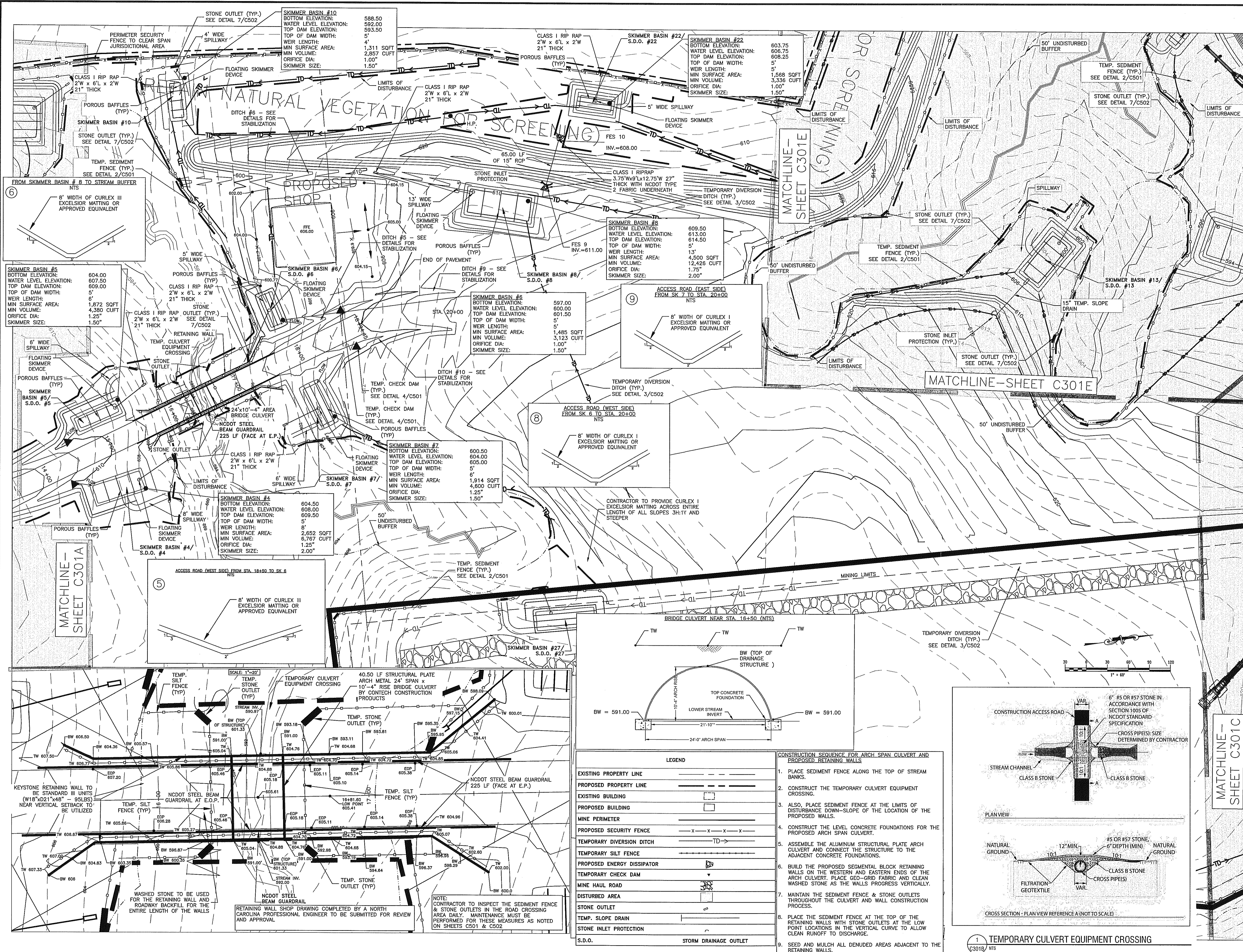
DATE: 4/8/20

DRAWING NAME:

**1"=60'
SEDIMENTATION &
EROSION CONTROL
PLAN**

DRAWING NUMBER:

C301B



LEGEND

EXISTING PROPERTY LINE	---
PROPOSED PROPERTY LINE	---
EXISTING BUILDING	[Symbol]
PROPOSED BUILDING	[Symbol]
MINE PERIMETER	[Symbol]
PROPOSED SECURITY FENCE	[Symbol]
TEMPORARY DIVERSION DITCH	[Symbol]
TEMPORARY SILT FENCE	[Symbol]
PROPOSED ENERGY DISSIPATOR	[Symbol]
TEMPORARY CHECK DAM	[Symbol]
MINE HAUL ROAD	[Symbol]
DISTURBED AREA	[Symbol]
STONE OUTLET	[Symbol]
TEMP. SLOPE DRAIN	[Symbol]
STONE INLET PROTECTION	[Symbol]
S.D.O.	[Symbol]
STORM DRAINAGE OUTLET	[Symbol]

CONSTRUCTION SEQUENCE FOR ARCH SPAN CULVERT AND PROPOSED RETAINING WALLS

- PLACE SEDIMENT FENCE ALONG THE TOP OF STREAM BANKS.
- CONSTRUCT THE TEMPORARY CULVERT EQUIPMENT CROSSING.
- ALSO, PLACE SEDIMENT FENCE AT THE LIMITS OF DISTURBANCE DOWN-SLOPE OF THE LOCATION OF THE PROPOSED WALLS.
- CONSTRUCT THE LEVEL CONCRETE FOUNDATIONS FOR THE PROPOSED ARCH SPAN CULVERT.
- ASSEMBLE THE ALUMINUM STRUCTURAL PLATE ARCH CULVERT AND CONNECT THE STRUCTURE TO THE ADJACENT CONCRETE FOUNDATIONS.
- BUILD THE PROPOSED SEGMENTAL BLOCK RETAINING WALLS ON THE WESTERN AND EASTERN ENDS OF THE ARCH CULVERT. PLACE GEO-GRID FABRIC AND CLEAN WASHED STONE AS THE WALLS PROGRESS VERTICALLY.
- MAINTAIN THE SEDIMENT FENCE & STONE OUTLETS THROUGHOUT THE CULVERT AND WALL CONSTRUCTION PROCESS.
- PLACE THE SEDIMENT FENCE AT THE TOP OF THE RETAINING WALLS WITH STONE OUTLETS AT THE LOW POINT LOCATIONS IN THE VERTICAL CURVE TO ALLOW CLEAN RUNOFF TO DISCHARGE.
- SEED AND MULCH ALL DENUDED AREAS ADJACENT TO THE RETAINING WALLS.

Date & Time: 4/8/2020 1:01 PM By: Sherill Brandon Path: Y:\2190335-Snow Camp Mine\CADD\DWG\Drawings\Show Camp Plan Sheets.dwg