

Paul A. Stimpson
NORTH CAROLINA PROFESSIONAL ENGINEER
22052
ENGINEER
PAUL A. STIMPSON
4/9/20

© 2019 LaBella Associates

**ALAMANCE
AGGREGATES, LLC**

Mr. Chad Threatt, VP

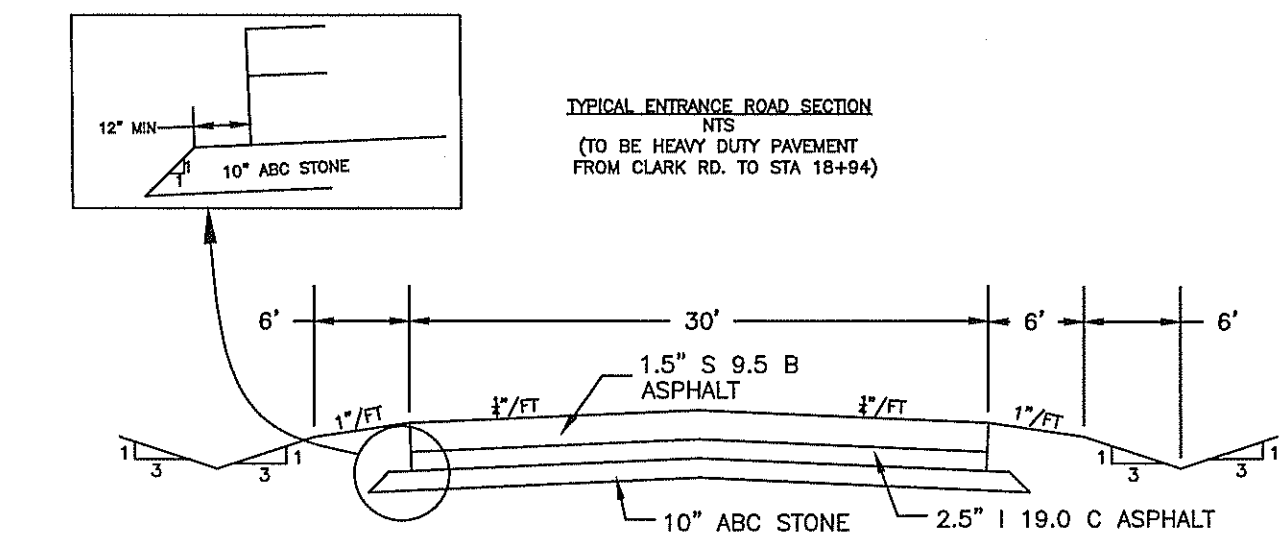
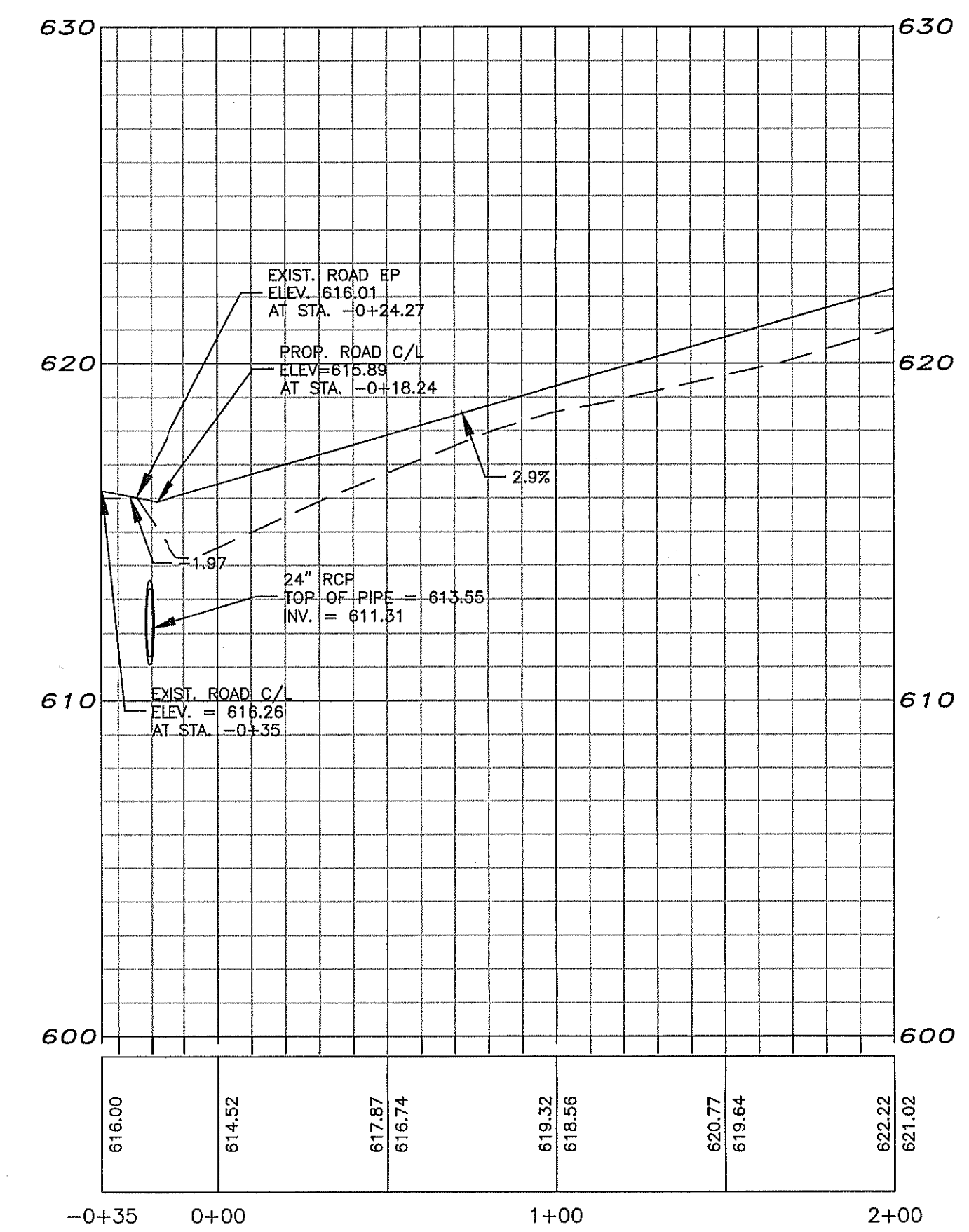
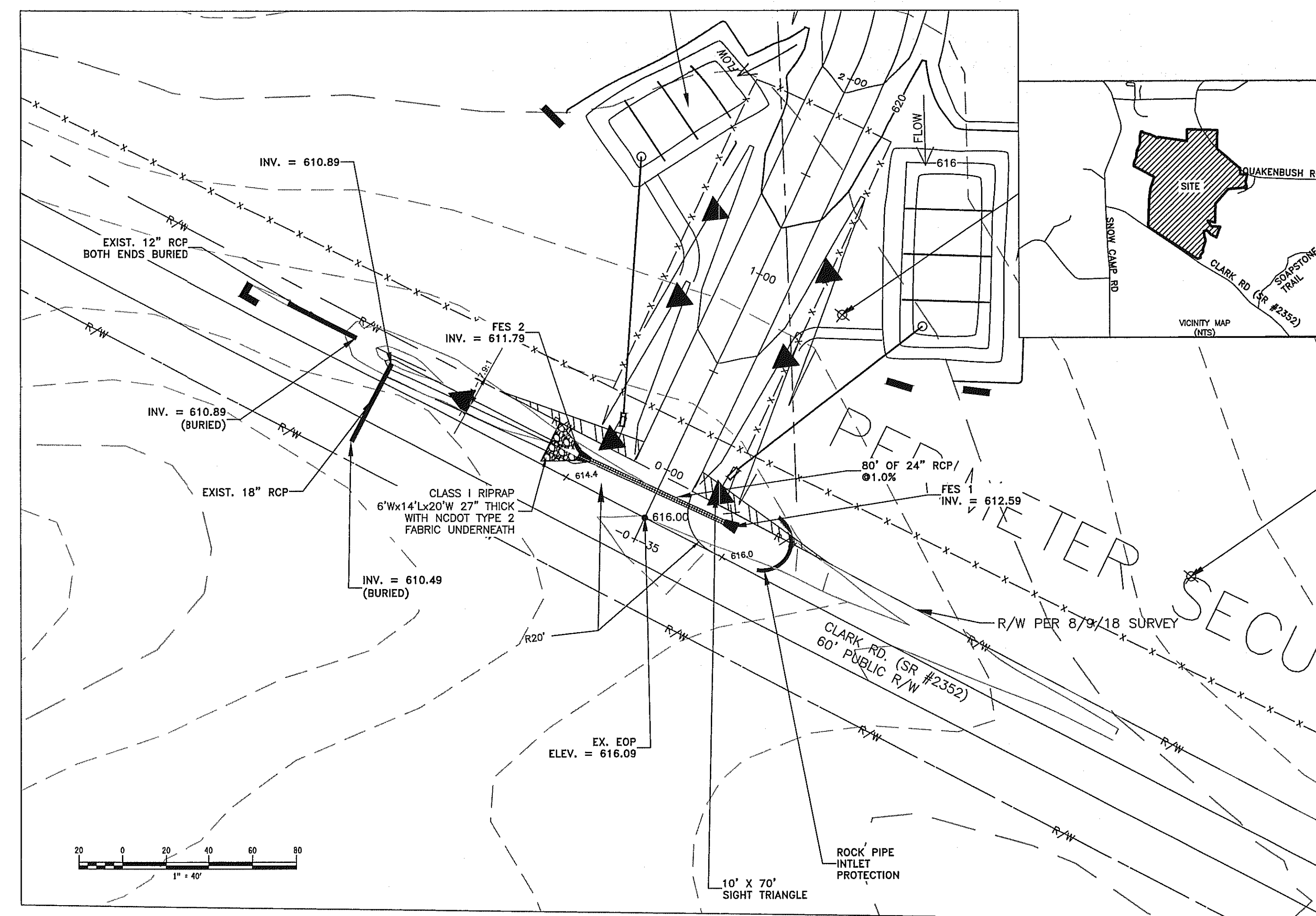
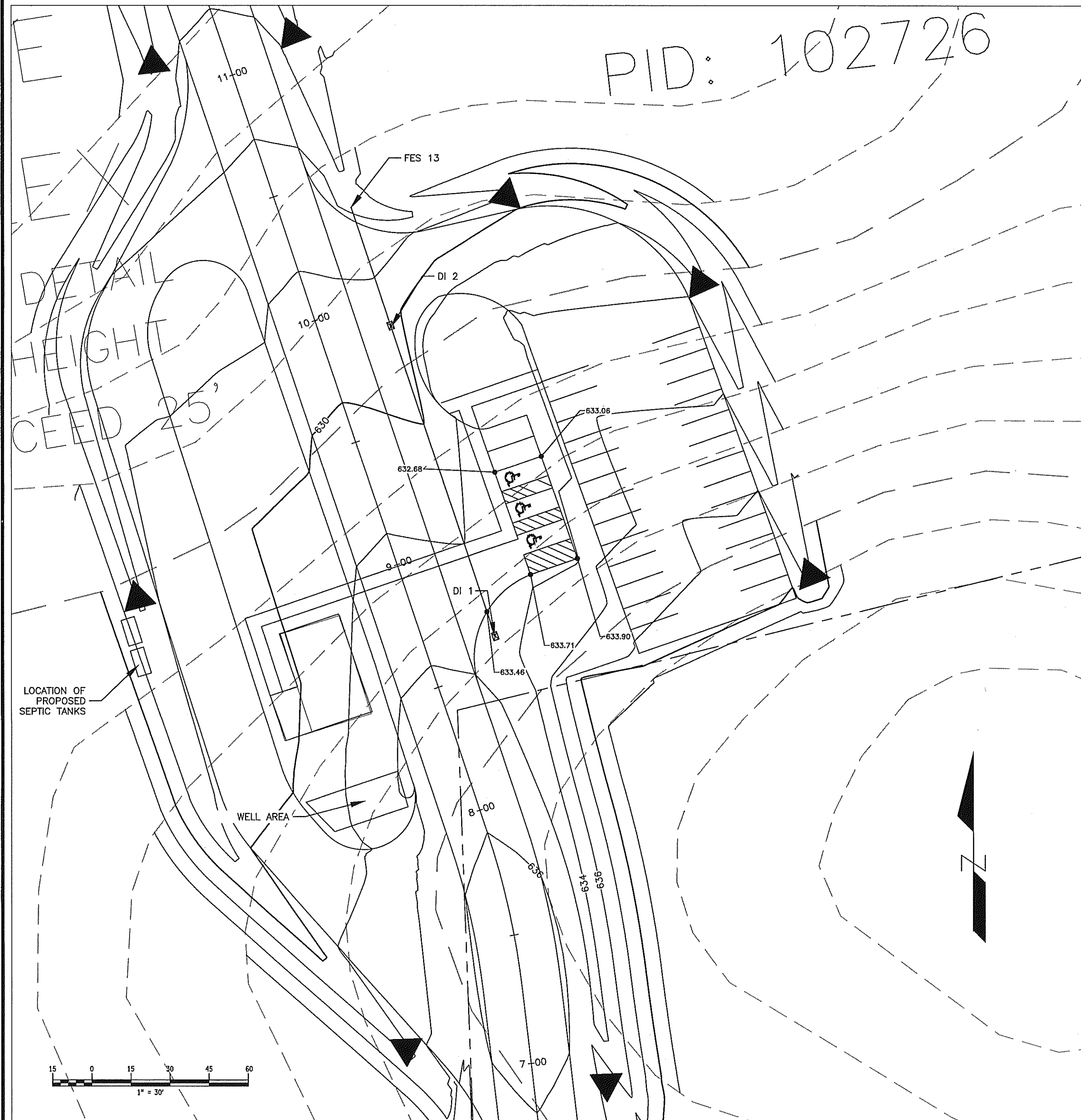
Snow Camp Mine

2	3/31/20	NCDEMLR COMMENTS
1	7/19/19	OWNER/NCDEMLR COMMENTS
NO.	DATE:	DESCRIPTION:
REVISIONS		
PROJECT NUMBER: 2190335		
DRAWN BY: KCG/ATC/BWS		
REVIEWED BY: PAS		
ISSUED FOR: CONSTRUCTION		
DATE: 10/24/18		
DRAWING NAME:		

**PARKING AND ENTRANCE
ROAD DETAILS**

DRAWING NUMBER:

C305



FIELD SURVEY INFORMATION OBTAINED FROM ALAMANCE AGGREGATES ON JAN. 9 2018
EXISTING GROUND PROFILE AT CLARK ROAD AND WETLAND POINTS OBTAINED FROM ALAMANCE AGGREGATE ON AUGUST 9, 2018
ALL OTHER TOPOGRAPHY OBTAINED FROM GIS

Code & Title: 4/22/2020 2:13 PM By: Sherill, Brandon
Plan: 112-180335-Snow Camp Mine (2) (Downloaded) (VMS) Snow Camp Plan Sheets.dwg