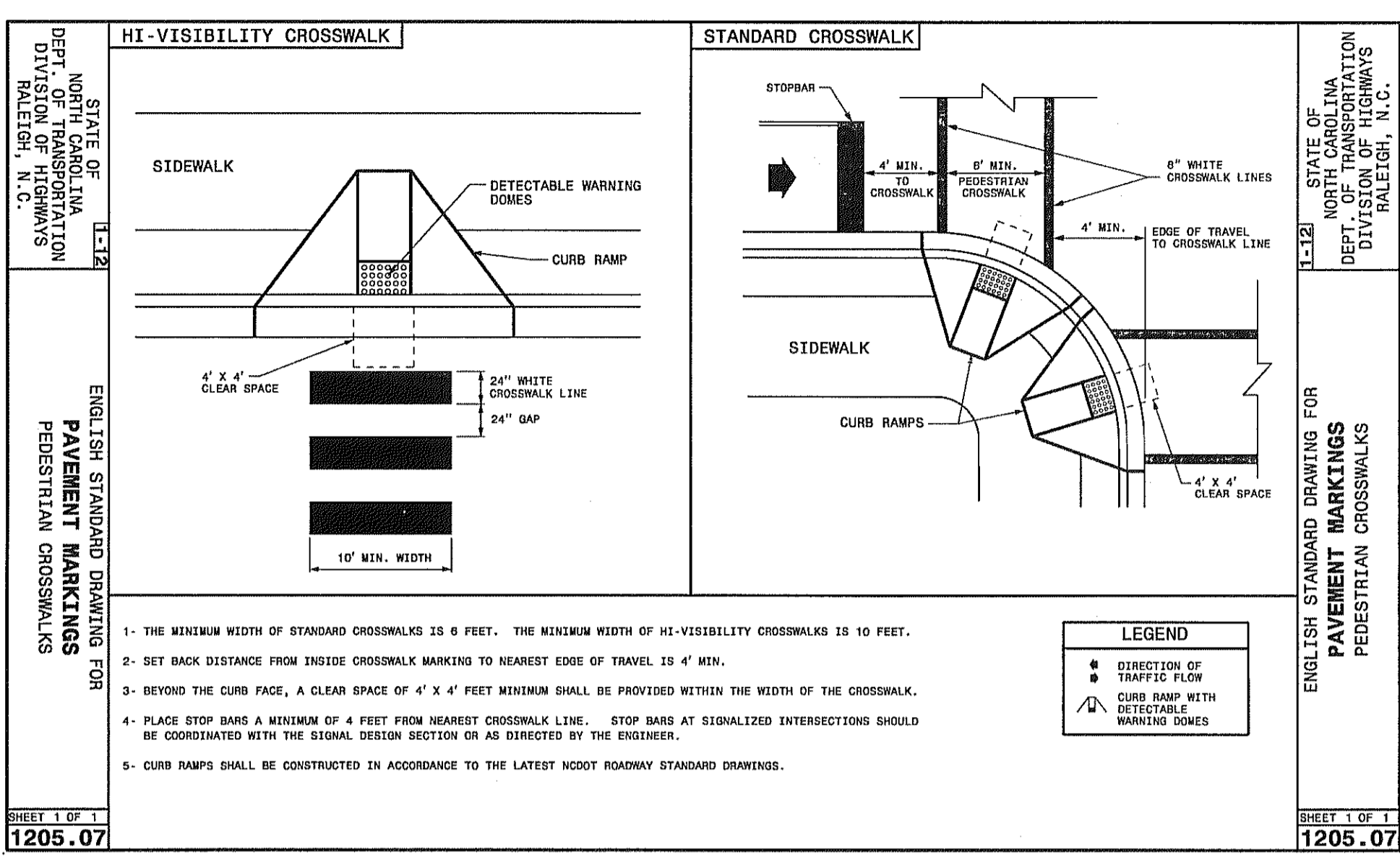


Paul A. Simpson
SEAL
ENGINEER
PAUL A. SIMPSON
22052
7/23/19

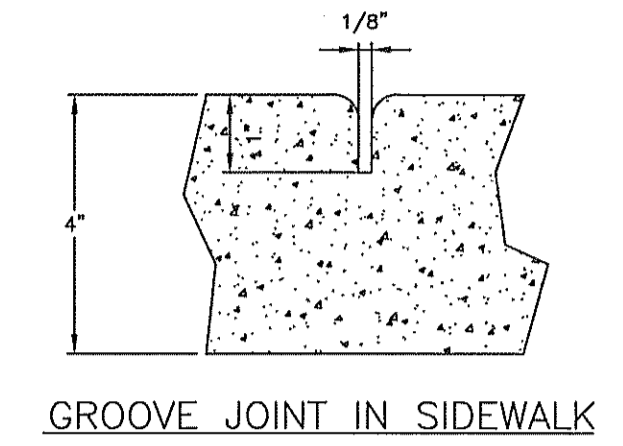
© 2019 LaBella Associates

**ALAMANCE
AGGREGATES, LLC**
Mr. Chad Threatt, VP

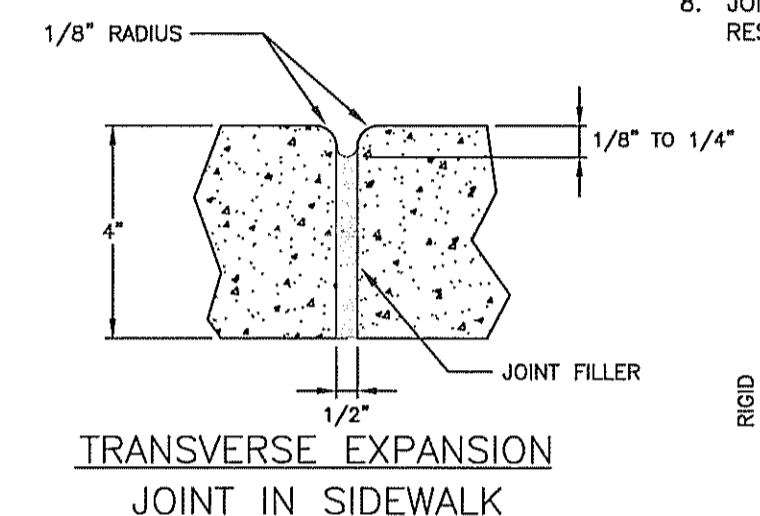
Snow Camp Mine



6 CROSSWALK DETAIL
C 403 / NTS



GROOVE JOINT IN SIDEWALK



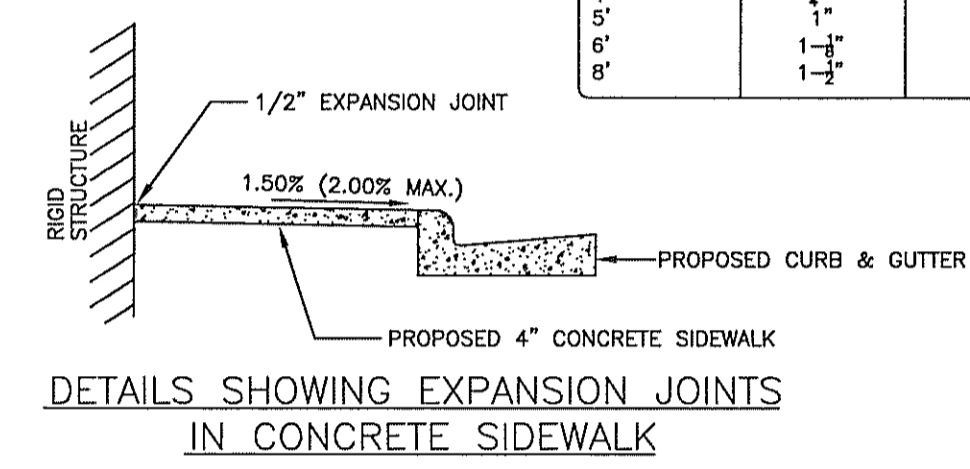
TRANSVERSE EXPANSION JOINT IN SIDEWALK

GENERAL NOTES:

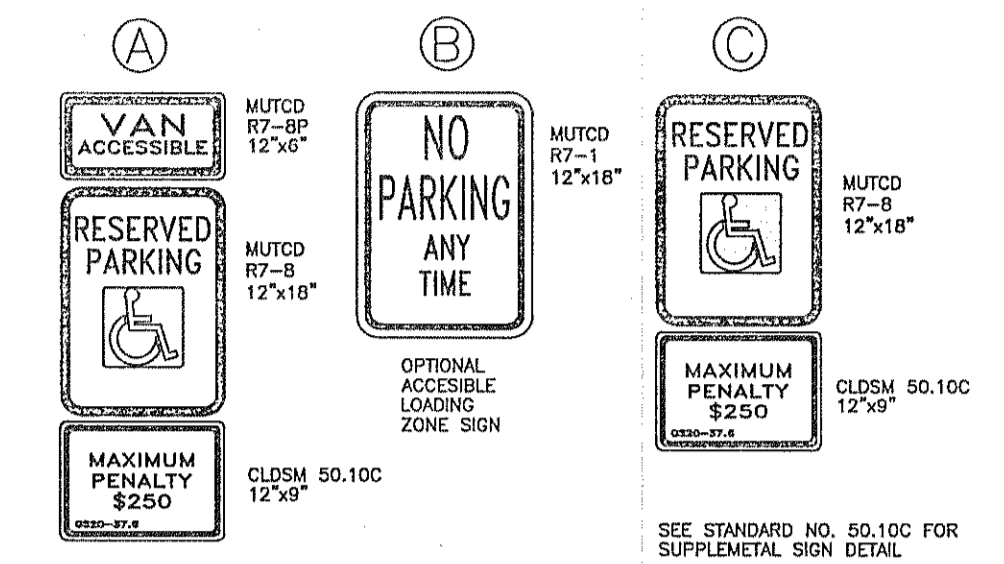
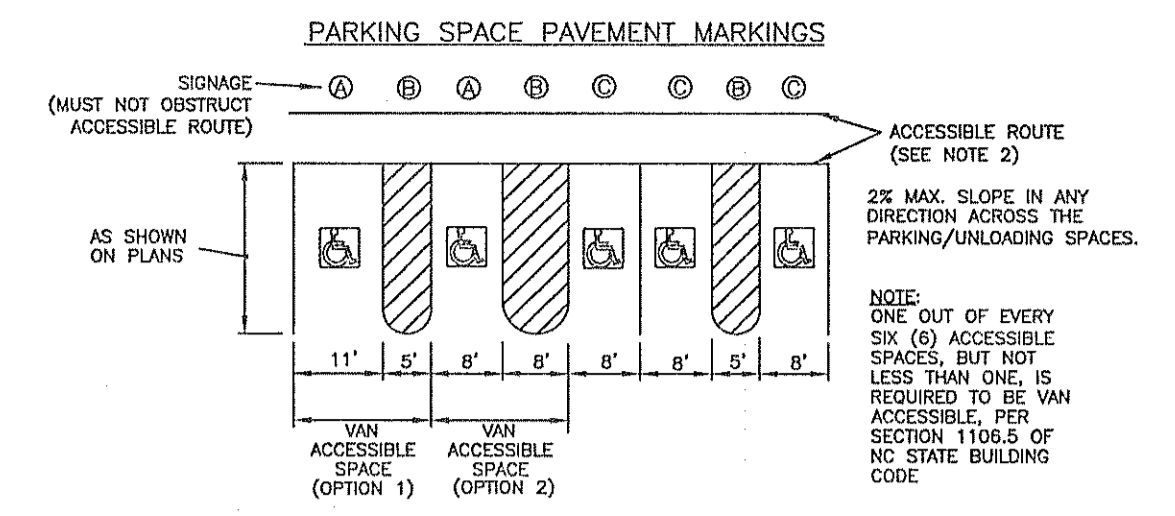
1. A GROOVE JOINT 1" DEEP WITH 1/8" RADIUS SHALL BE REQUIRED IN THE CONCRETE SIDEWALK AT 5' INTERVALS. ONE 1/2" EXPANSION JOINT WILL BE REQUIRED AT INTERVALS OF NOT MORE THAN 45' AND MATCHING EXPANSION/CONSTRUCTION JOINT IN ADJACENT CURB. A SEALED 1/2" EXPANSION JOINT WILL BE REQUIRED WHERE THE SIDEWALK JOINS ANY RIGID STRUCTURE.
2. SIDEWALK AT DRIVEWAY ENTRANCES TO BE 6" THICK.
3. WIDTH OF SIDEWALK ON THOROUGHFARE STREETS SHALL BE A MINIMUM OF 6'. WIDTH OF SIDEWALKS IN THE CENTRAL BUSINESS DISTRICT WILL BE DETERMINED BY THE CDOT.
4. WIDTH OF SIDEWALKS ON NON-THOROUGHFARE STREETS SHALL BE BASED ON TYPICAL STREET SECTION, A MINIMUM OF 5'. SIDEWALK TO BE POURED TO END OF RADIUS AT INTERSECTING STREETS.
5. CONCRETE COMPRESSIVE STRENGTH SHALL BE 3600 PSI. IN 28 DAYS.
6. ZONING CONDITIONS MAY REQUIRE ADDITIONAL WIDTH SIDEWALKS WHICH SHALL SUPERSEDE THESE STANDARD DIMENSIONS SHOWN.
7. LIDS FOR JUNCTION BOXES AND UTILITY VAULTS SHALL BE NON-SKID AS SPECIFIED BY ENGINEER.
8. JOINT MATERIALS SHALL LIMIT SHRINK/SWELL SO POST CONSTRUCTION INSTALLATION RESULTS IN A MAXIMUM OF 1/4" FROM FLUSH.

EXAMPLE SIDEWALK CONSTRUCTION DIMENSIONS:

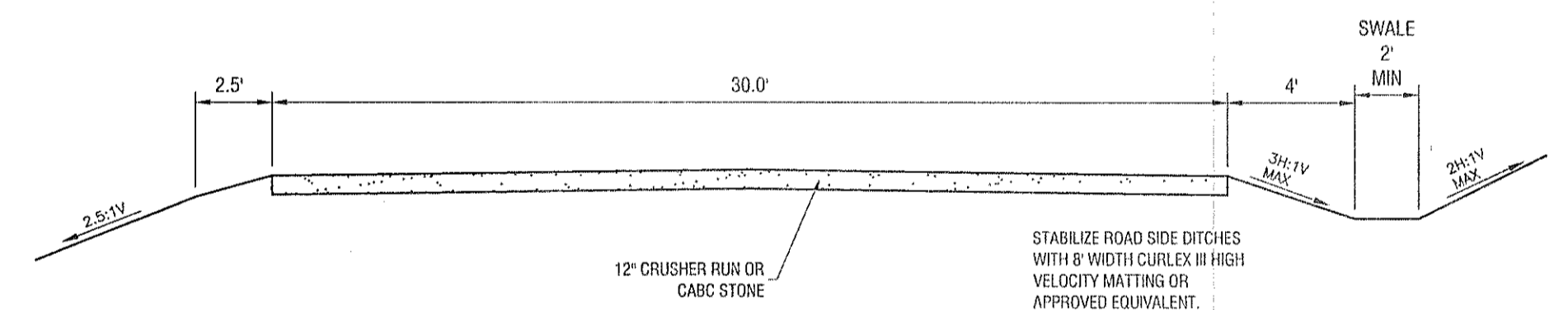
WIDTH	RISE	CROSS-SLOPE
4'	3"	1.56%
5'	1"	1.67%
6'	1-1/2"	1.56%
8'	1-3/4"	1.56%



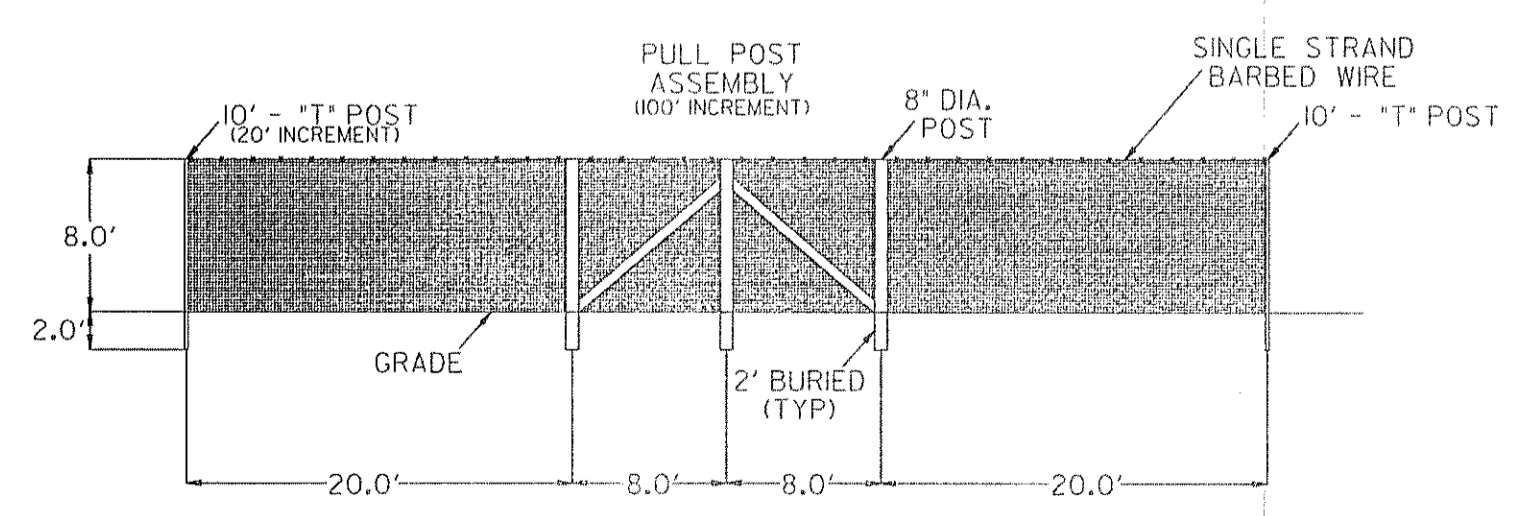
5 SIDEWALK DETAIL
C 403 / NTS



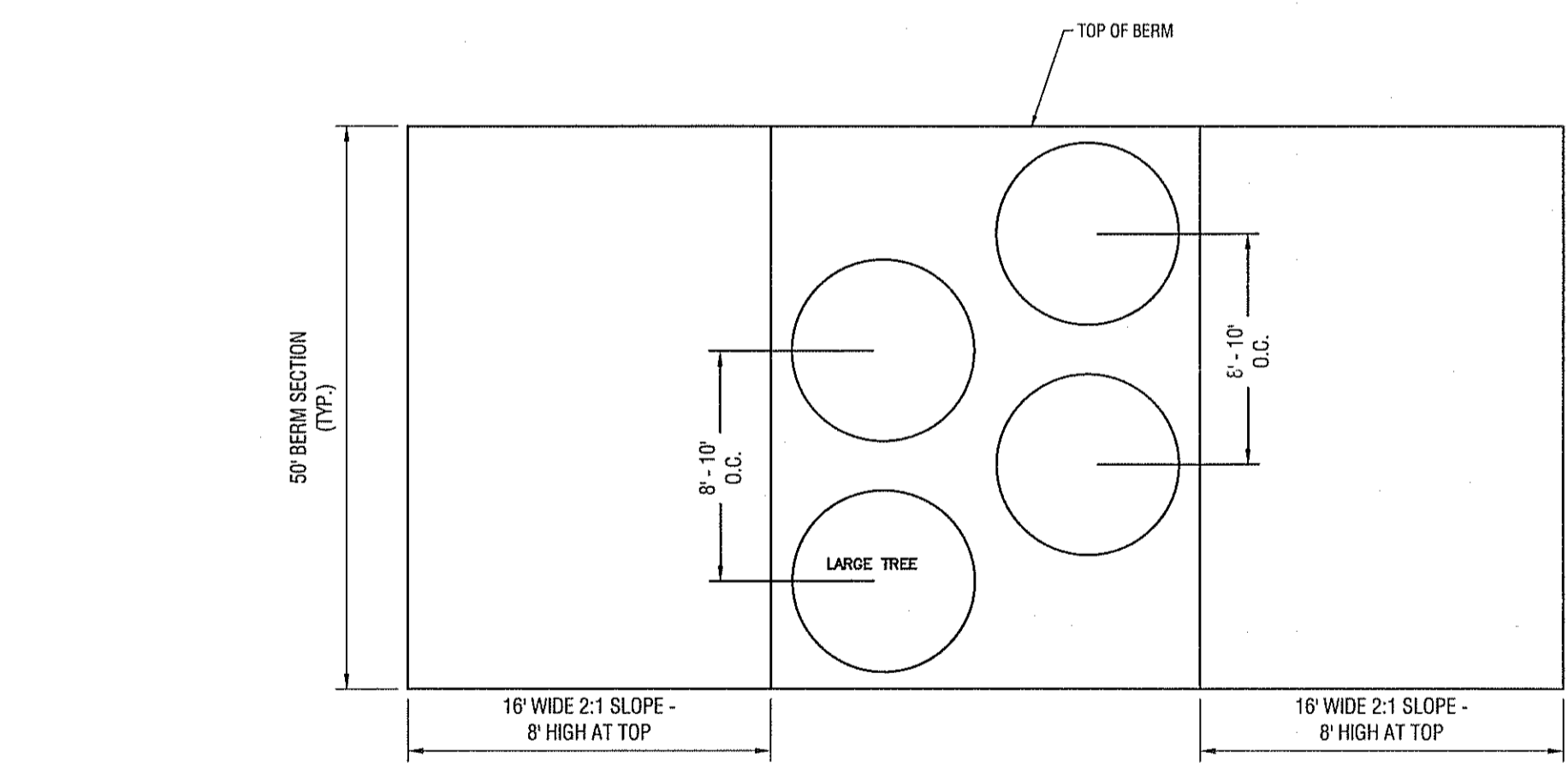
4 ACCESSIBLE PARKING AND SIGNAGE DETAILS
C 403 / NTS



3 HAUL ROAD TYP. SECTION
C 403 / NTS



1 FIXED KNOTTED WIRE FENCING PERIMETER FENCE DETAIL
C 403 / NTS



NOTES:

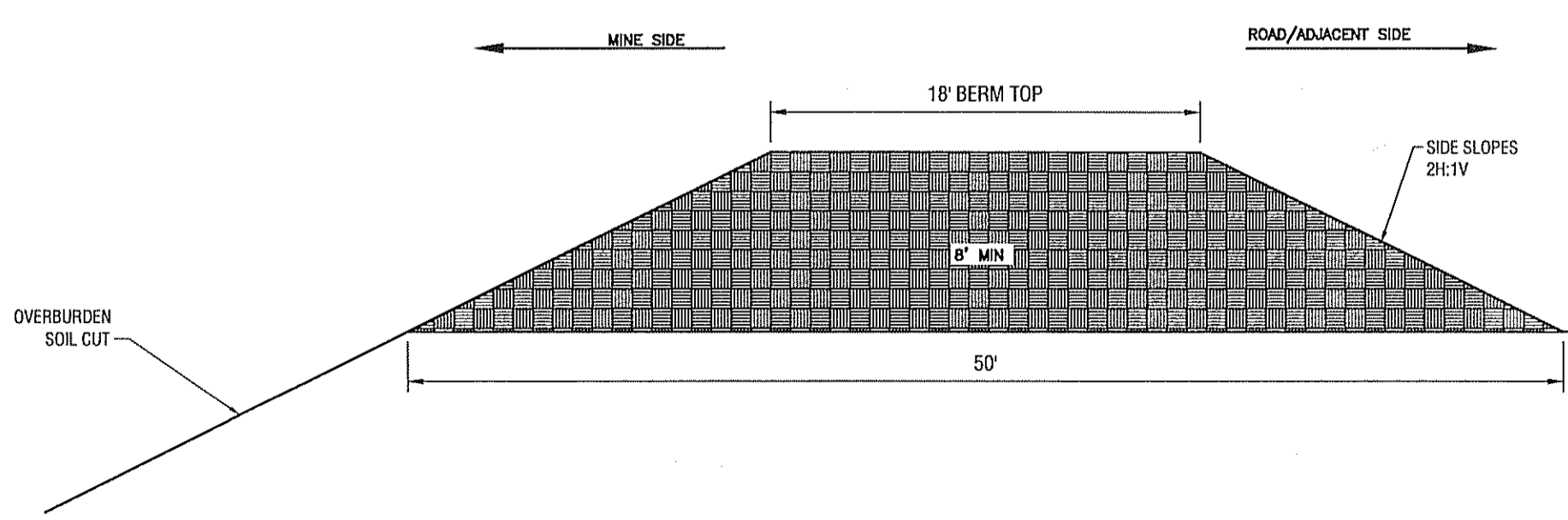
LARGE TREES SHALL BE 2" CALIPER AND 12' HEIGHT H AT PLANTING. BALLED AND BURLAP. TREES SHALL BE DOUBLE-STAGGERED WITH 8'-10" CENTERS

SEED THE ENTIRE BERM AFTER TREE AND SHRUB PLANTING WITH PANDUM VIRGATUM, SWITCH GRASS, AT A RATE OF 8 LBS./ACRE. DO NOT MOW.

SEE TABLE BELOW FOR ALLOWABLE TREES AND SHRUBS.

LARGE TREE

Scientific Name	Common Name
Pinus Taeda	Loblolly Pine



2 BARRIER BERM
C 403 / NTS

Date & Time: 7/18/2019 2:41 PM By: Chad Threatt, VP
Path: I:\2019\Snow Camp Mine\2019\DWG\0403\0403.DWG (Data Sheets.dwg)

NO.	DATE	DESCRIPTION
REVISIONS		
PROJECT NUMBER:		2190335
DRAWN BY:		KCG/ATC
REVIEWED BY:		PAS
ISSUED FOR:		CONSTRUCTION
DATE:		7/18/19
DRAWING NAME:		
DRAWING NUMBER:		

SITE DETAILS

C403