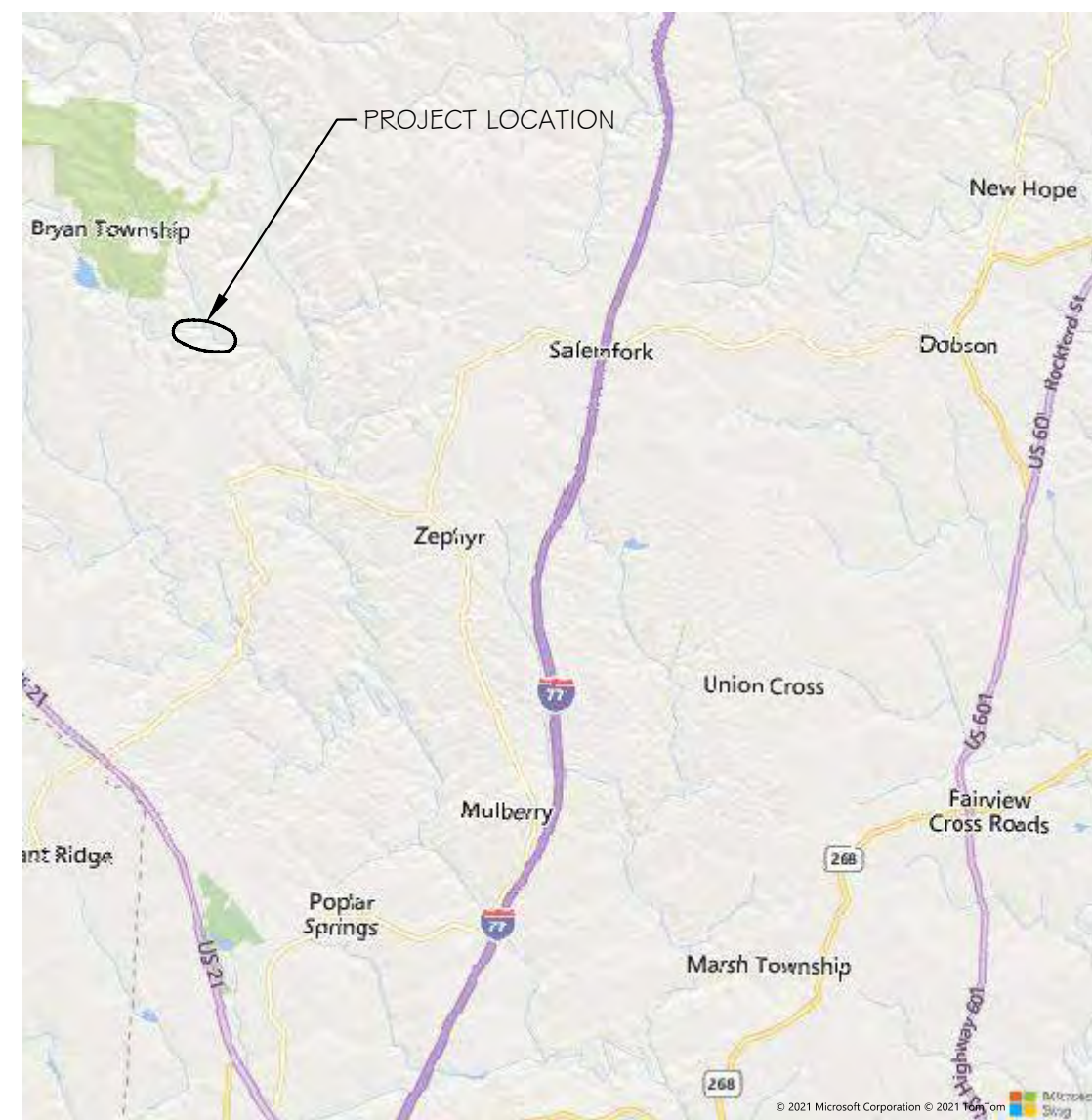


LITTLE SEBASTIAN SITE RECORD DRAWINGS

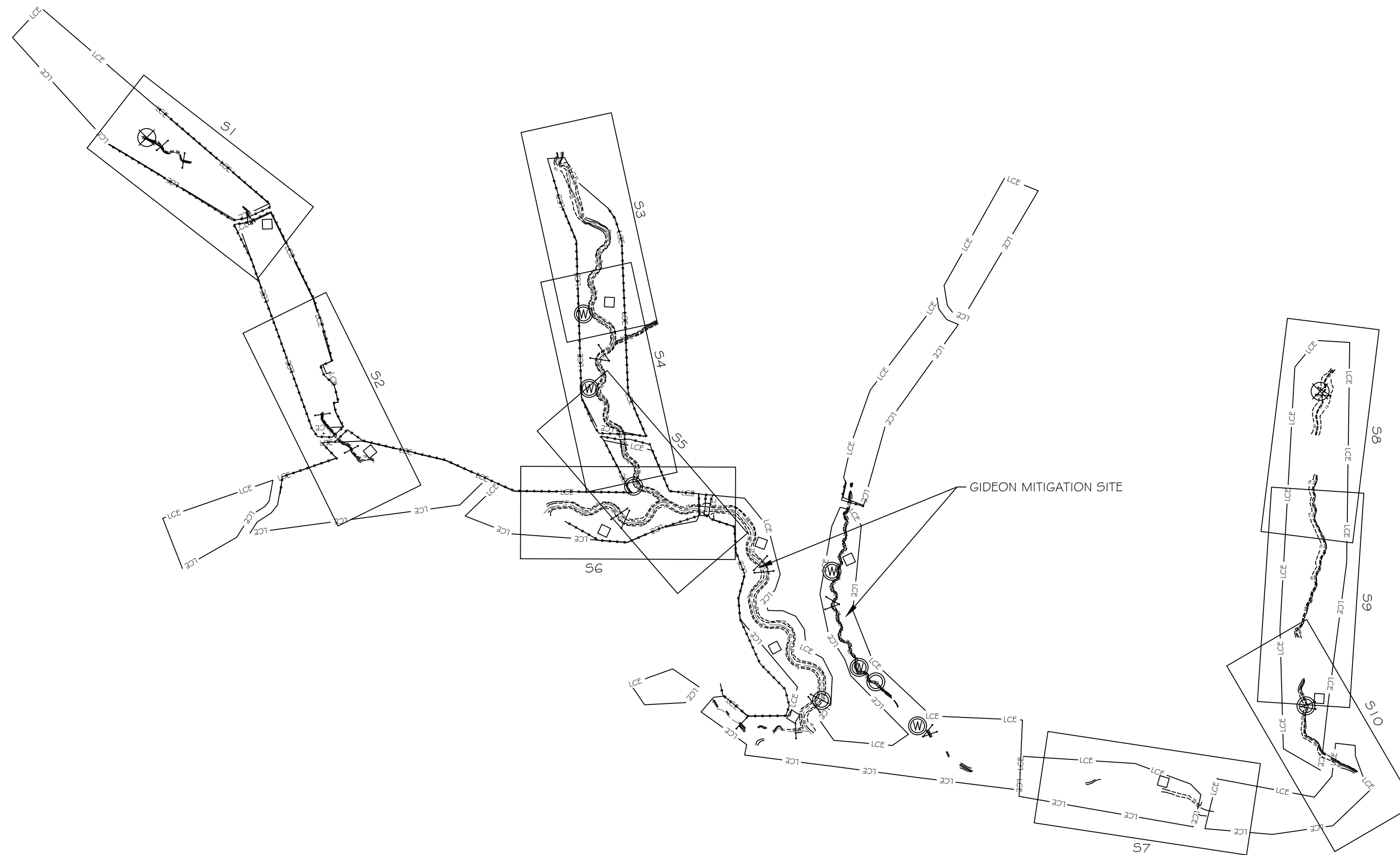
PROJECT LOCATION: (36.396724, -80.858382)
 SURRY COUNTY, NORTH CAROLINA

YADKIN RIVER BASIN: HUC 03040101080020
 AUGUST 2021

RESOURCE ENVIRONMENTAL SOLUTIONS, LLC
 3600 GLENWOOD AVE, SUITE 100
 RALEIGH, NC 27612



VICINITY MAP
 NTS



SITE MAP
 NTS

PROJECT DIRECTORY

DESIGNED BY:
 RESOURCE ENVIRONMENTAL SOLUTIONS, LLC
 3600 GLENWOOD AVE, STE 100
 RALEIGH, NC 27612

DESIGNED FOR:
 NC DEPARTMENT OF ENVIRONMENTAL QUALITY
 DIVISION OF MITIGATION SERVICES
 5 RAVENSCROFT DR., #102
 ASHEVILLE, NC 28801

SURVEYED BY:
 ASCENSION LAND SURVEYING, PC
 116 WILLIAMS ROAD
 MOCKSVILLE, NC 27028

CONSTRUCTION CONTRACTOR:
 KBS EARTHWORKS, INC.
 5616 COBLE CHURCH RD.
 JULIAN, NC 27283

MONITORING:
 RESOURCE ENVIRONMENTAL SOLUTIONS, LLC
 3600 GLENWOOD AVE, STE 100
 RALEIGH, NC 27612

PROJECT TOPOGRAPHY AND AS-BUILT
 CONDITIONS PLANIMETRICS SURVEY WAS
 PROVIDED BY ASCENSION LAND SURVEYING, PC
 (NC FIRM LICENSE NUMBER C-4288,
 CHRISTOPHER L. COLE, NC PLS L-5008)

LITTLE SEBASTIAN MITIGATION SITE

DMS PROJECT #: 100027
 CONTRACT #: 7187
 USACE ACTION ID #: SAW-2017-01507
 RFP #: 16-006993

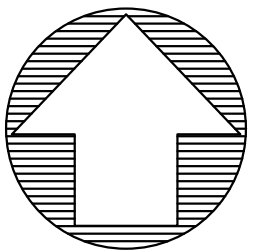
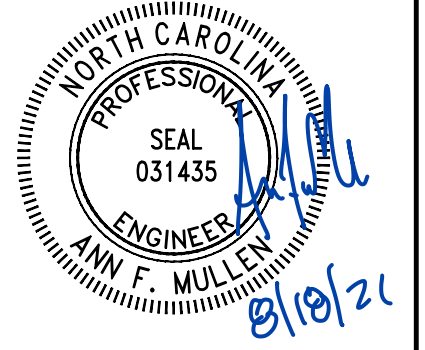
Sheet List Table	
Sheet Number	Sheet Title
--	COVER
S1	REACH JN2B
S2	REACH JN2D
S3	REACH JN3
S4	REACH JN3 & JN7
S5	REACH JN3 & JN7
S6	REACH MC1
S7	REACH MC3
S8	REACH BS1
S9	REACH BS1
S10	REACH BS1



3600 Glenwood Ave, Suite 100
 Raleigh, NC 27612
 Main: 919.829.9909
 www.res.us

Engineering Services Provided By:
 RES Environmental Operating Company, LLC
 License: F-1428

SEAL



PLOT DATE:
 8/16/2021

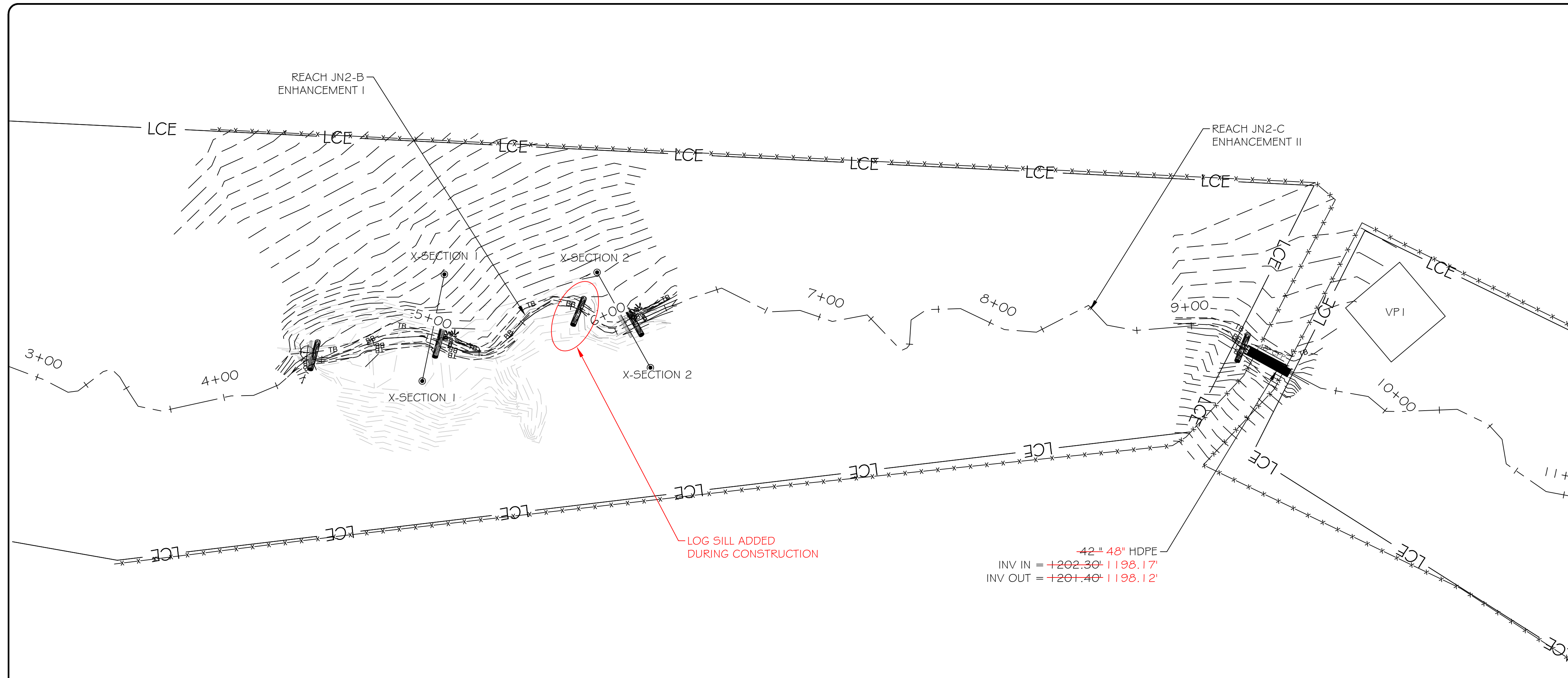
REVISIONS:

RELEASED FOR:
 RECORD DRAWINGS

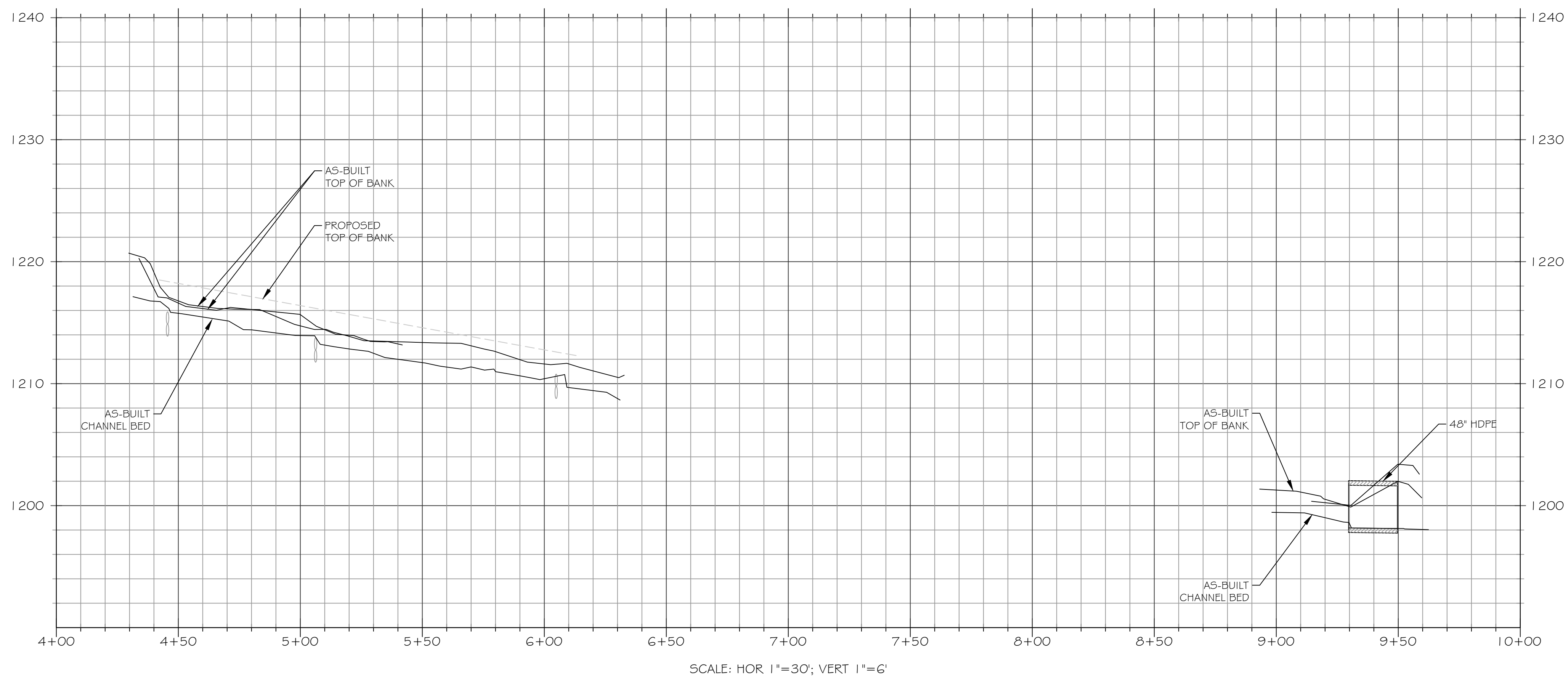
PROJECT NUMBER: ---
 PROJECT MANAGER: BPB
 DESIGNED: AFM
 DRAWN: TRS
 CHECKED: RTM

SHEET NUMBER:

FILE NAME: R:\Research\Projects\100909-Little Sebastian\DWG\ABRL\SEBASTIAN_RECORD.dwg SAVED BY: Fmullen



42" 48" HDPE
 INV IN = +202.30' 1198.17'
 INV OUT = +201.40' 1198.12'



SCALE: HOR 1"=30'; VERT 1"=6'

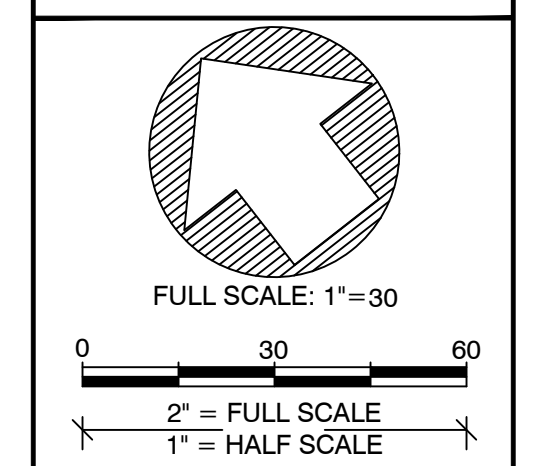
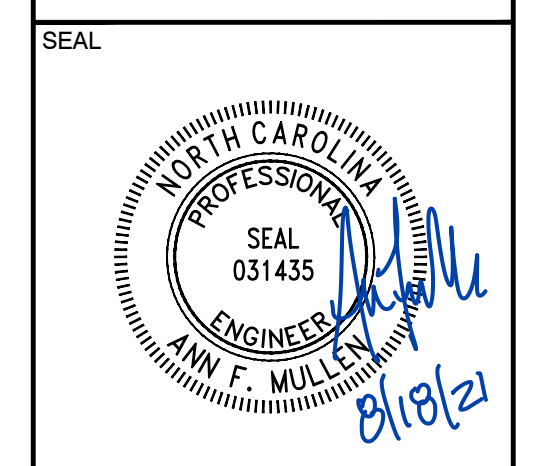
LEGEND

PROPOSED CONTOUR MAJOR	— 50 —
PROPOSED CONTOUR MINOR	— 46 —
AS-BUILT CONTOUR MAJOR	— 50 —
AS-BUILT CONTOUR MINOR	— 46 —
OVERHEAD ELECTRIC UTILITY LINE	— — — — —
PROPERTY LINE	— — — — —
FENCELINE	— x — x — x — x —
AS-BUILT FENCELINE	— x — x — x — x —
TREELINE	— ~ ~ ~ ~ ~
LIMITS OF RECORDED CONSERVATION EASEMENT	— LCE —
PROPOSED BRUSH TOE PROTECTION	
PROPOSED LOG STRUCTURE	
PROPOSED ROCK STRUCTURE	
PROPOSED CONSTRUCTED RIFFLE	
PROPOSED LOG STRUCTURE (PROFILE)	
PROPOSED ROCK STRUCTURE (PROFILE)	
AS-BUILT BRUSH TOE PROTECTION	
AS-BUILT LOG STRUCTURE	
AS-BUILT ROCK STRUCTURE	
GROUNDWATER MONITORING WELL	
STAGE RECORDER	
FLOW GAUGE	
MONITORING CROSS SECTION	
VEGETATION MONITORING PLOT	

NOTE: ALL SIGNIFICANT CHANGES FROM THE DESIGN ARE SHOWN IN RED



Engineering Services Provided By:
 RES Environmental Operating Company, LLC
 License: F-1428



PLOT DATE:
8/16/2021

REVISIONS:

RELEASED FOR:
RECORD DRAWINGS

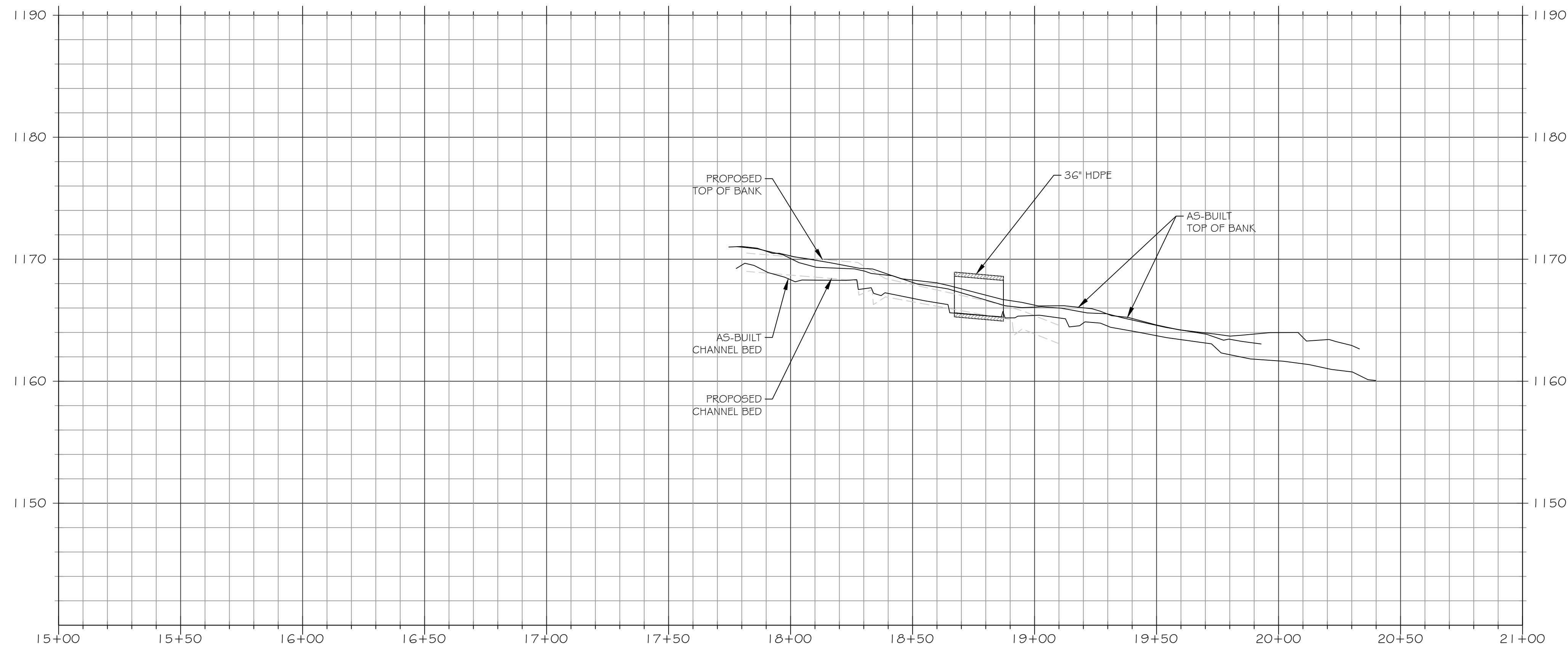
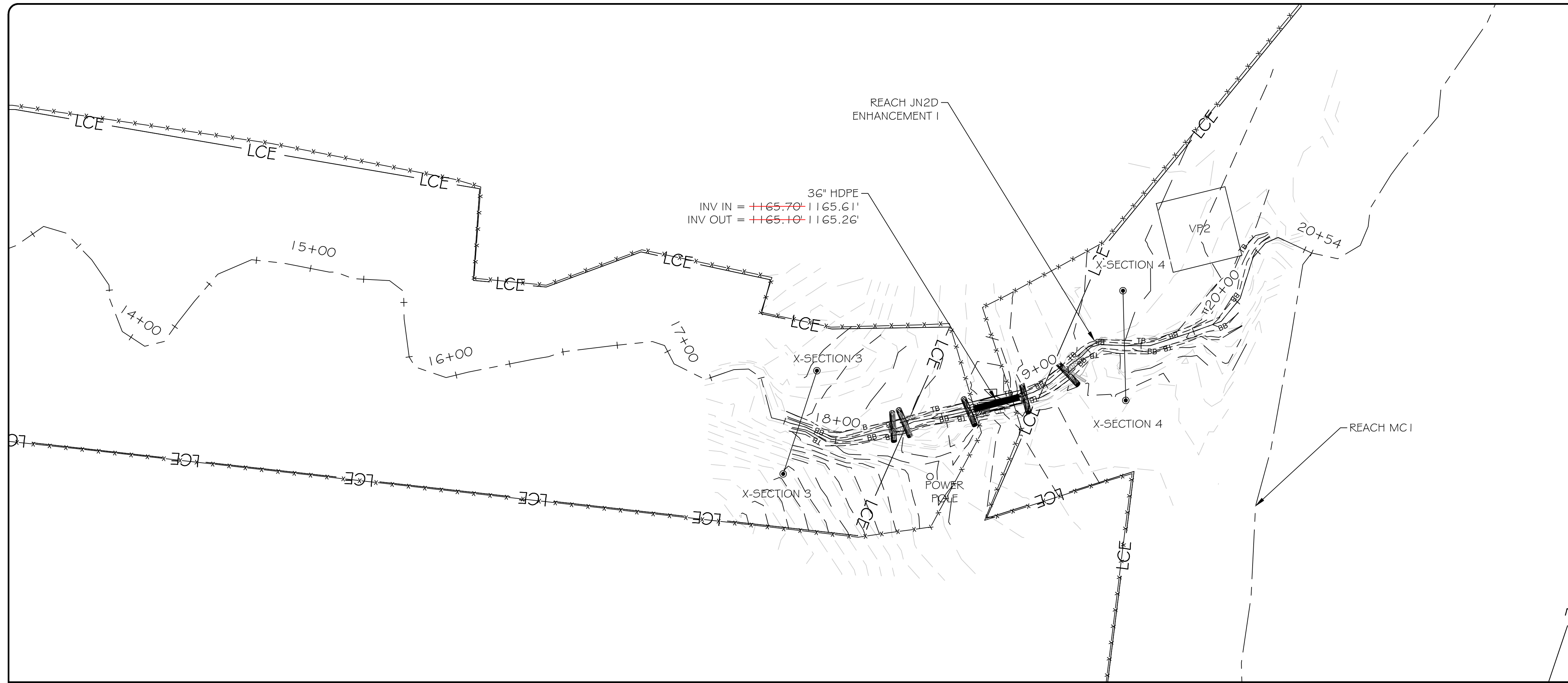
PROJECT NAME:
LITTLE SEBASTIAN SITE RECORD DRAWINGS
SURRY COUNTY, NORTH CAROLINA

DRAWING TITLE:
REACH JN2B

PROJECT NUMBER: —
 PROJECT MANAGER: BPB
 DESIGNED: AFM
 DRAWN: TRS
 CHECKED: RTM

SHEET NUMBER:
S1

FILE NAME: F:\Rescard\Projects\100909-Little Sebastian\DWG\ABRL\SEBASTIAN_RECORD.dwg SAVED BY: Fmullen



SCALE: HOR 1"=30'; VERT 1"=6'

LEGEND

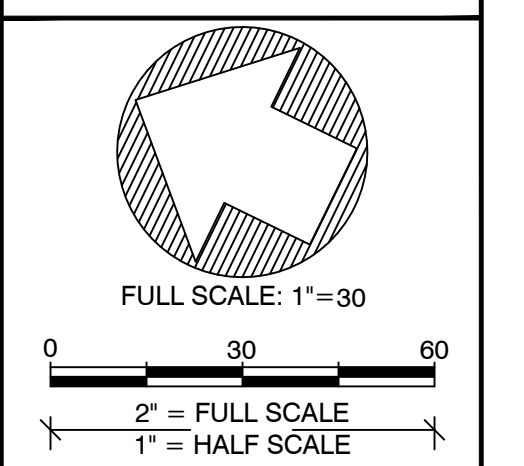
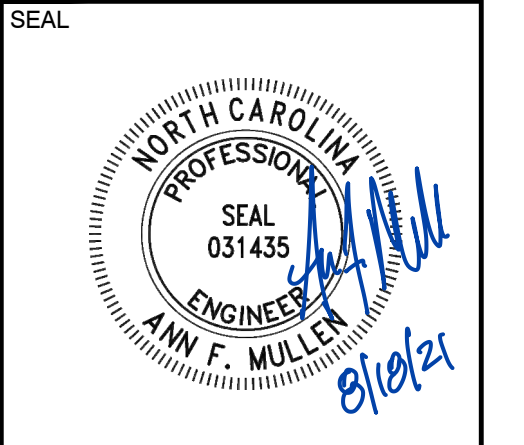
PROPOSED CONTOUR MAJOR	— 50 —
PROPOSED CONTOUR MINOR	- - - 46 - - -
AS-BUILT CONTOUR MAJOR	— 50 —
AS-BUILT CONTOUR MINOR	- - - 46 - - -
OVERHEAD ELECTRIC UTILITY LINE	— — — — —
PROPERTY LINE	— — — — —
FENCELINE	— x — x — x — x —
AS-BUILT FENCELINE	— x — x — x — x —
TREELINE	— — — — —
LIMITS OF RECORDED CONSERVATION EASEMENT	— LCE —
PROPOSED BRUSH TOE PROTECTION	
PROPOSED LOG STRUCTURE	
PROPOSED ROCK STRUCTURE	
PROPOSED CONSTRUCTED RIFFLE	
PROPOSED LOG STRUCTURE (PROFILE)	
PROPOSED ROCK STRUCTURE (PROFILE)	
AS-BUILT BRUSH TOE PROTECTION	
AS-BUILT LOG STRUCTURE	
AS-BUILT ROCK STRUCTURE	
GROUNDWATER MONITORING WELL	
STAGE RECORDER	
FLOW GAUGE	
MONITORING CROSS SECTION	
VEGETATION MONITORING PLOT	

NOTE: ALL SIGNIFICANT CHANGES FROM THE DESIGN ARE SHOWN IN RED



3600 Glenwood Ave, Suite 100
Raleigh, NC 27612
Main: 919.829.9909
www.res.us

Engineering Services Provided By:
RES Environmental Operating Company, LLC
License: F-1428



PLOT DATE: 8/16/2021

REVISIONS:

RELEASED FOR: RECORD DRAWINGS

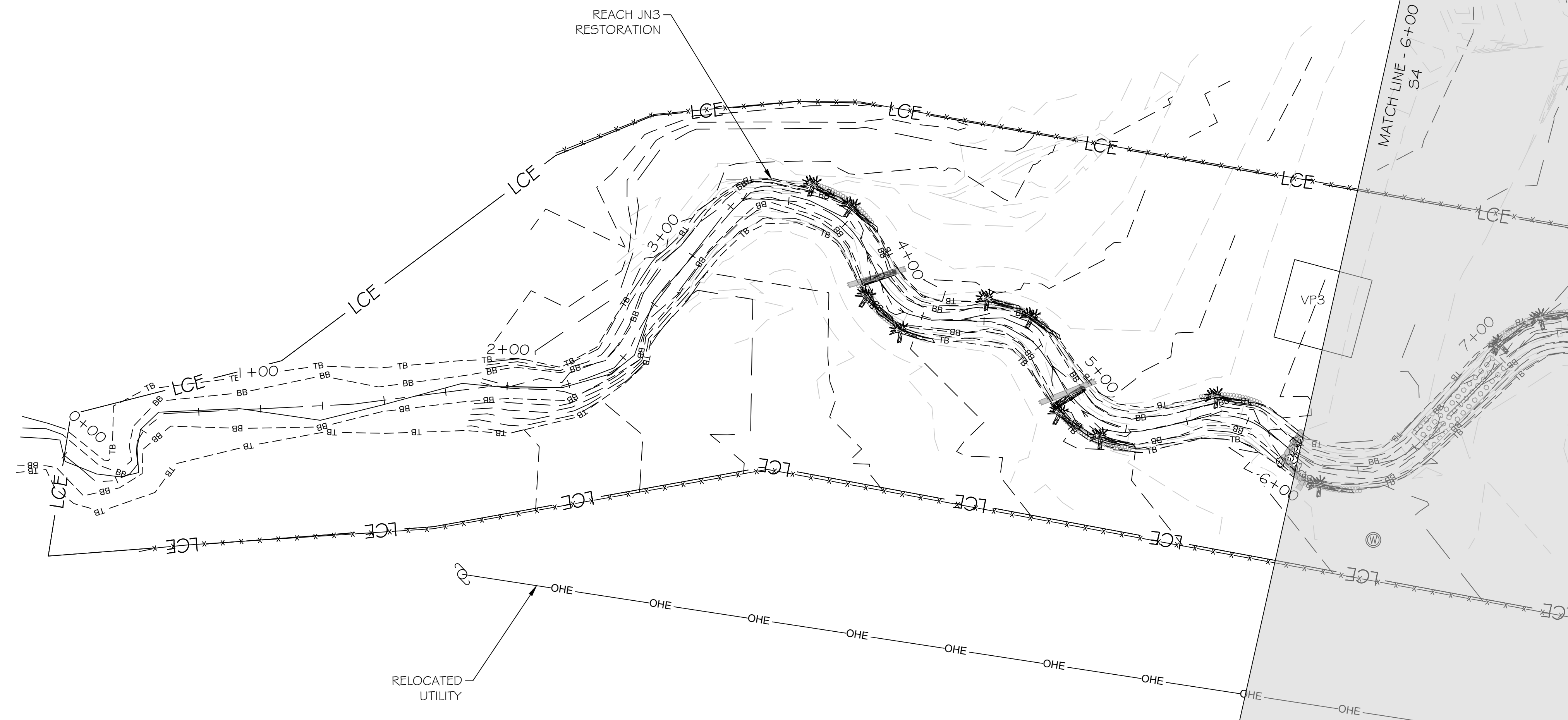
PROJECT NAME:
LITTLE SEBASTIAN SITE RECORD DRAWINGS
SURRY COUNTY, NORTH CAROLINA

DRAWING TITLE:
REACH JN2D

PROJECT NUMBER: —
PROJECT MANAGER: BPB
DESIGNED: AFM
DRAWN: TRS
CHECKED: RTM

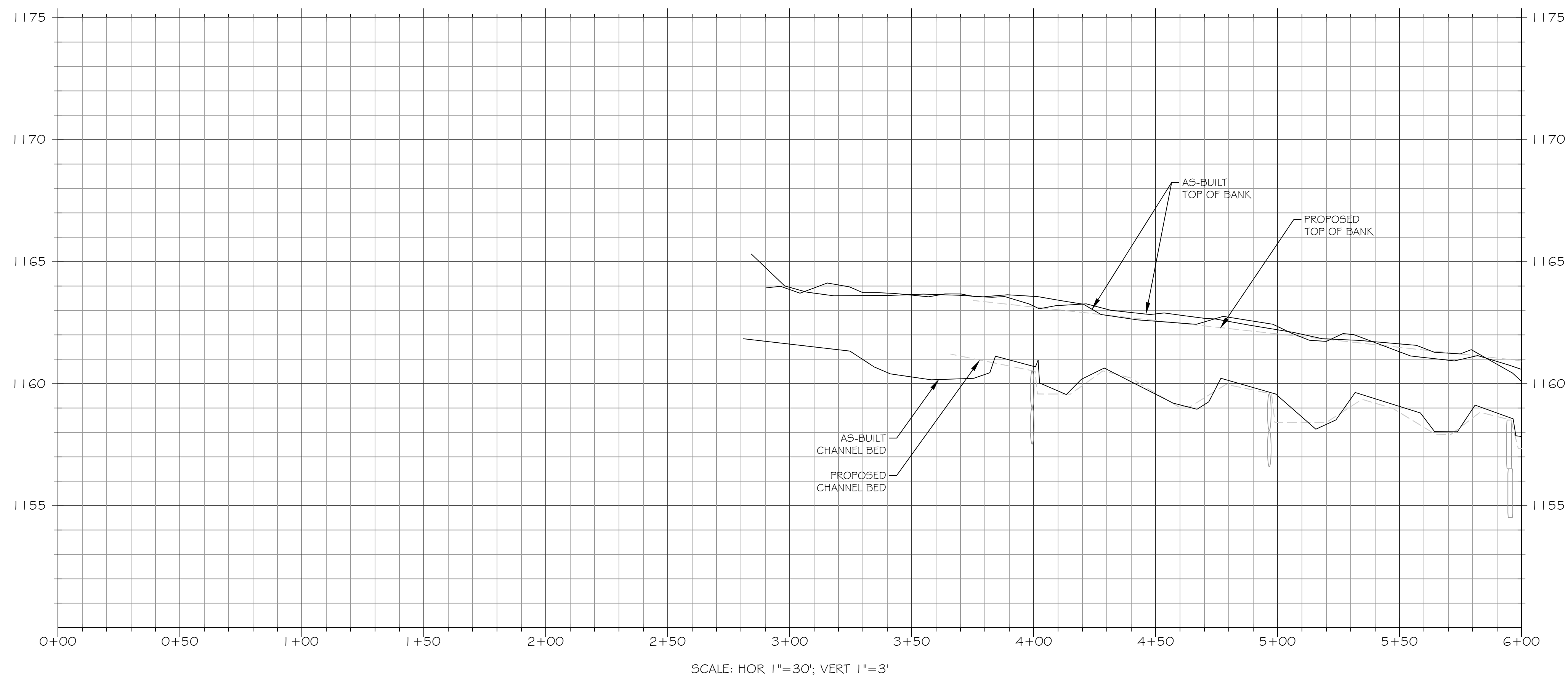
SHEET NUMBER:
S2

FILE NAME: F:\Research\Projects\100909-Little Sebastian\DWG\ABRL\SEBASTIAN_RECORD.dwg SAVED BY: Fmullen



LEGEND

PROPOSED CONTOUR MAJOR	---	50	---
PROPOSED CONTOUR MINOR	---	46	---
AS-BUILT CONTOUR MAJOR	---	50	---
AS-BUILT CONTOUR MINOR	---	46	---
OVERHEAD ELECTRIC UTILITY LINE	---		⊗
PROPERTY LINE	---		---
FENCELINE	---		X X X X X
AS-BUILT FENCELINE	---		X X X X X
TREELINE	---		~ ~ ~ ~ ~
LIMITS OF RECORDED CONSERVATION EASEMENT	---		LCE
PROPOSED BRUSH TOE PROTECTION			
PROPOSED LOG STRUCTURE			
PROPOSED ROCK STRUCTURE			
PROPOSED CONSTRUCTED RIFFLE			
PROPOSED LOG STRUCTURE (PROFILE)			
PROPOSED ROCK STRUCTURE (PROFILE)			
AS-BUILT BRUSH TOE PROTECTION			
AS-BUILT LOG STRUCTURE			
AS-BUILT ROCK STRUCTURE			
GROUNDWATER MONITORING WELL			⊗
STAGE RECORDER			⊙
FLOW GAUGE			⊗
MONITORING CROSS SECTION			● --- ●
VEGETATION MONITORING PLOT			VP#

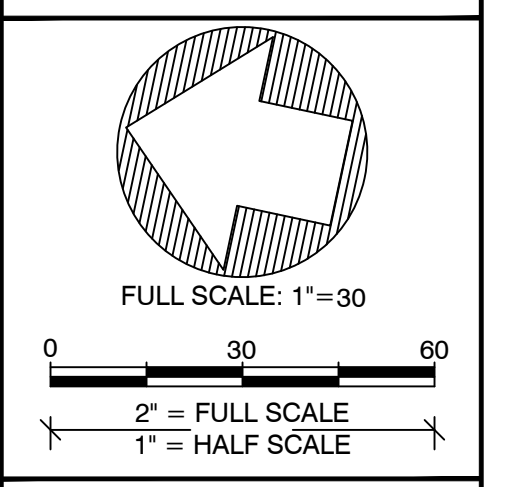
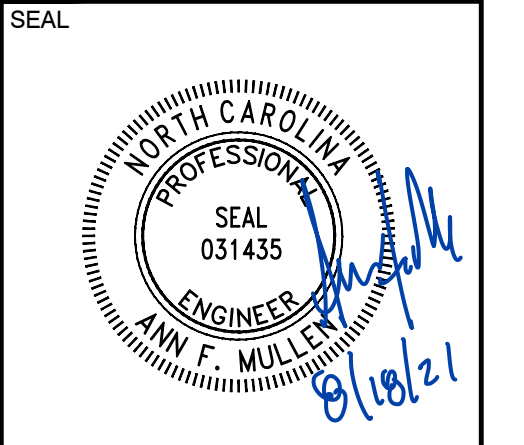


NOTE: ALL SIGNIFICANT CHANGES FROM THE DESIGN ARE SHOWN IN RED



3600 Glenwood Ave, Suite 100
Raleigh, NC 27612
Main: 919.829.9909
www.res.us

Engineering Services Provided By:
RES Environmental Operating Company, LLC
License: F-1428



PLOT DATE: 8/16/2021

REVISIONS:

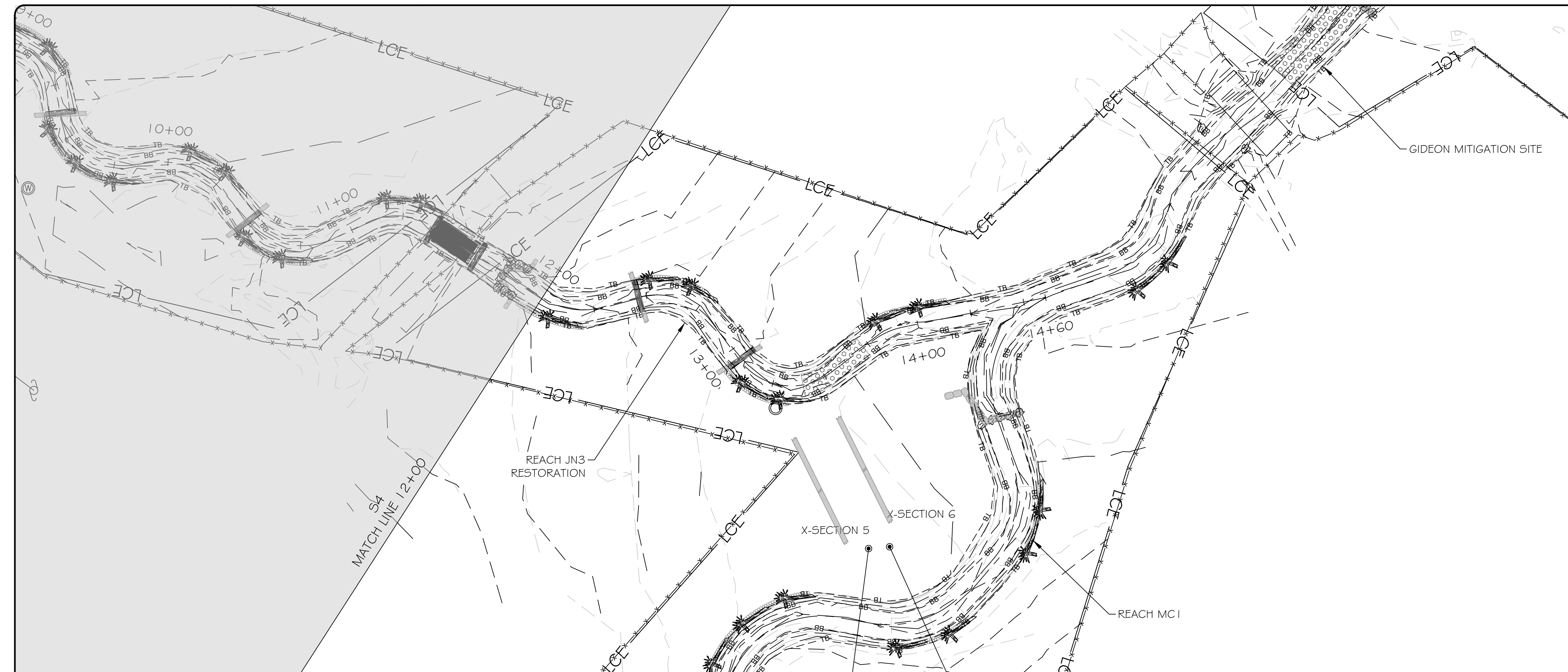
RELEASED FOR: RECORD DRAWINGS

PROJECT NAME:
LITTLE SEBASTIAN SITE RECORD DRAWINGS
SURRY COUNTY, NORTH CAROLINA

DRAWING TITLE:
REACH JN3

PROJECT NUMBER: ---
PROJECT MANAGER: BPB
DESIGNED: AFM
DRAWN: TRS
CHECKED: RTM

SHEET NUMBER:
S3



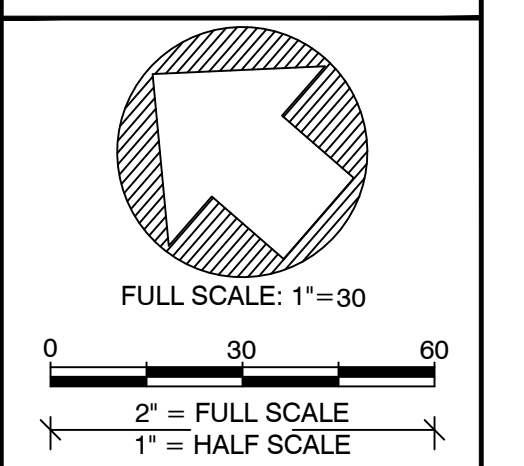
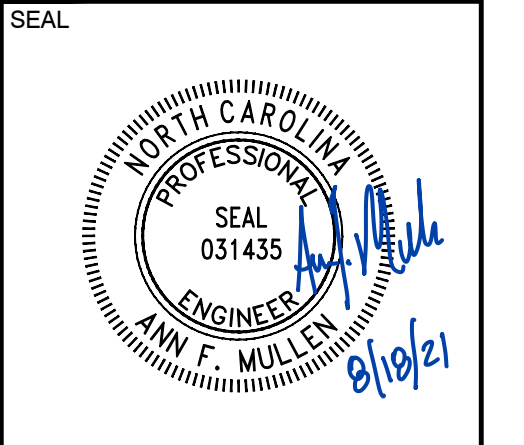
LEGEND

PROPOSED CONTOUR MAJOR	— 50 —
PROPOSED CONTOUR MINOR	- - - 46 - - -
AS-BUILT CONTOUR MAJOR	— 50 —
AS-BUILT CONTOUR MINOR	- - - 46 - - -
OVERHEAD ELECTRIC UTILITY LINE	— — — — —
PROPERTY LINE	— — — — —
FENCELINE	— x — x — x — x —
AS-BUILT FENCELINE	— x — x — x — x —
TREELINE	— — — — —
LIMITS OF RECORDED CONSERVATION EASEMENT	— LCE —
PROPOSED BRUSH TOE PROTECTION	
PROPOSED LOG STRUCTURE	
PROPOSED ROCK STRUCTURE	
PROPOSED CONSTRUCTED RIFFLE	
PROPOSED LOG STRUCTURE (PROFILE)	
PROPOSED ROCK STRUCTURE (PROFILE)	
AS-BUILT BRUSH TOE PROTECTION	
AS-BUILT LOG STRUCTURE	
AS-BUILT ROCK STRUCTURE	
GROUNDWATER MONITORING WELL	
STAGE RECORDER	
FLOW GAUGE	
MONITORING CROSS SECTION	
VEGETATION MONITORING PLOT	



3600 Glenwood Ave, Suite 100
 Raleigh, NC 27612
 Main: 919.829.9909
 www.res.us

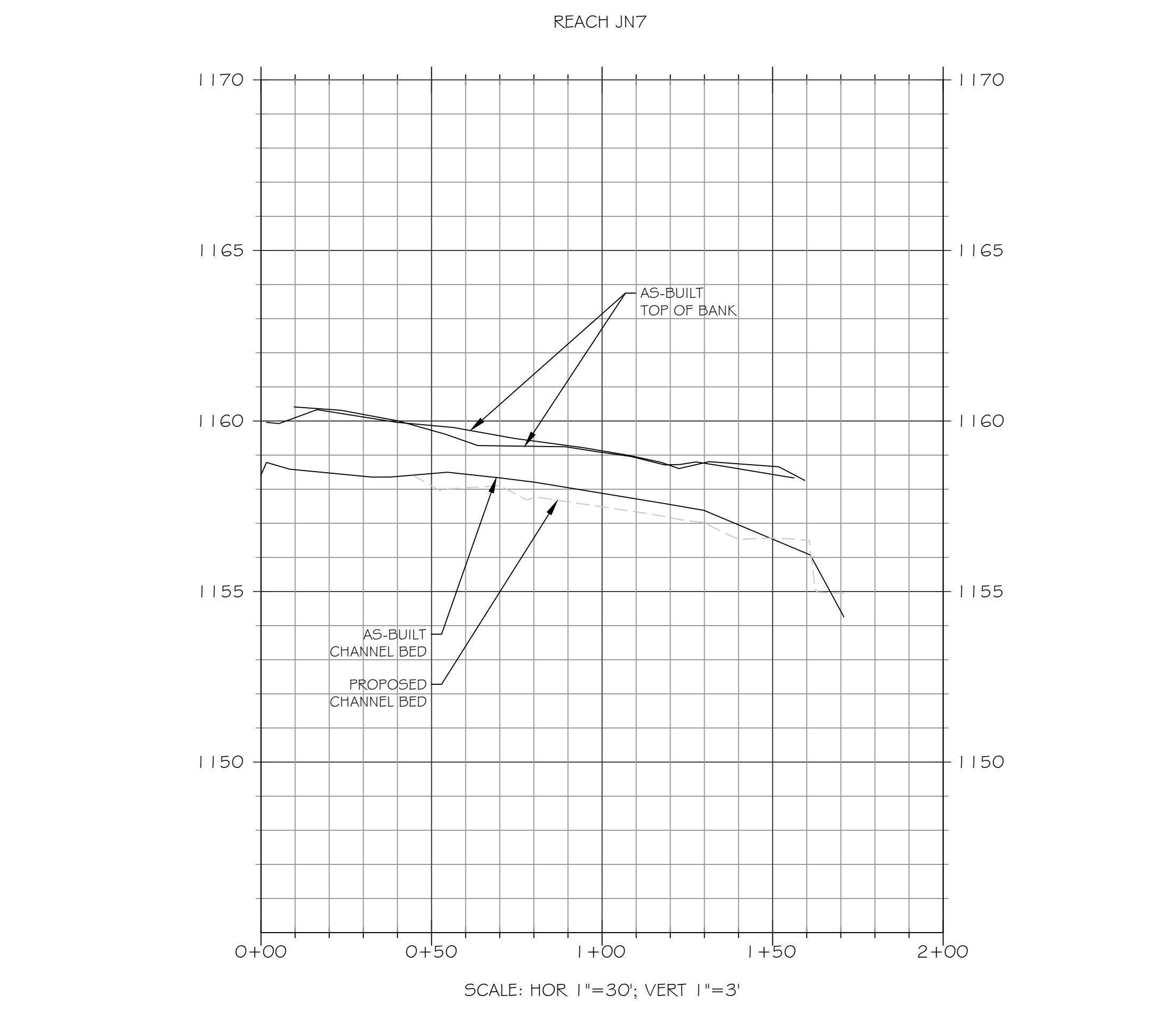
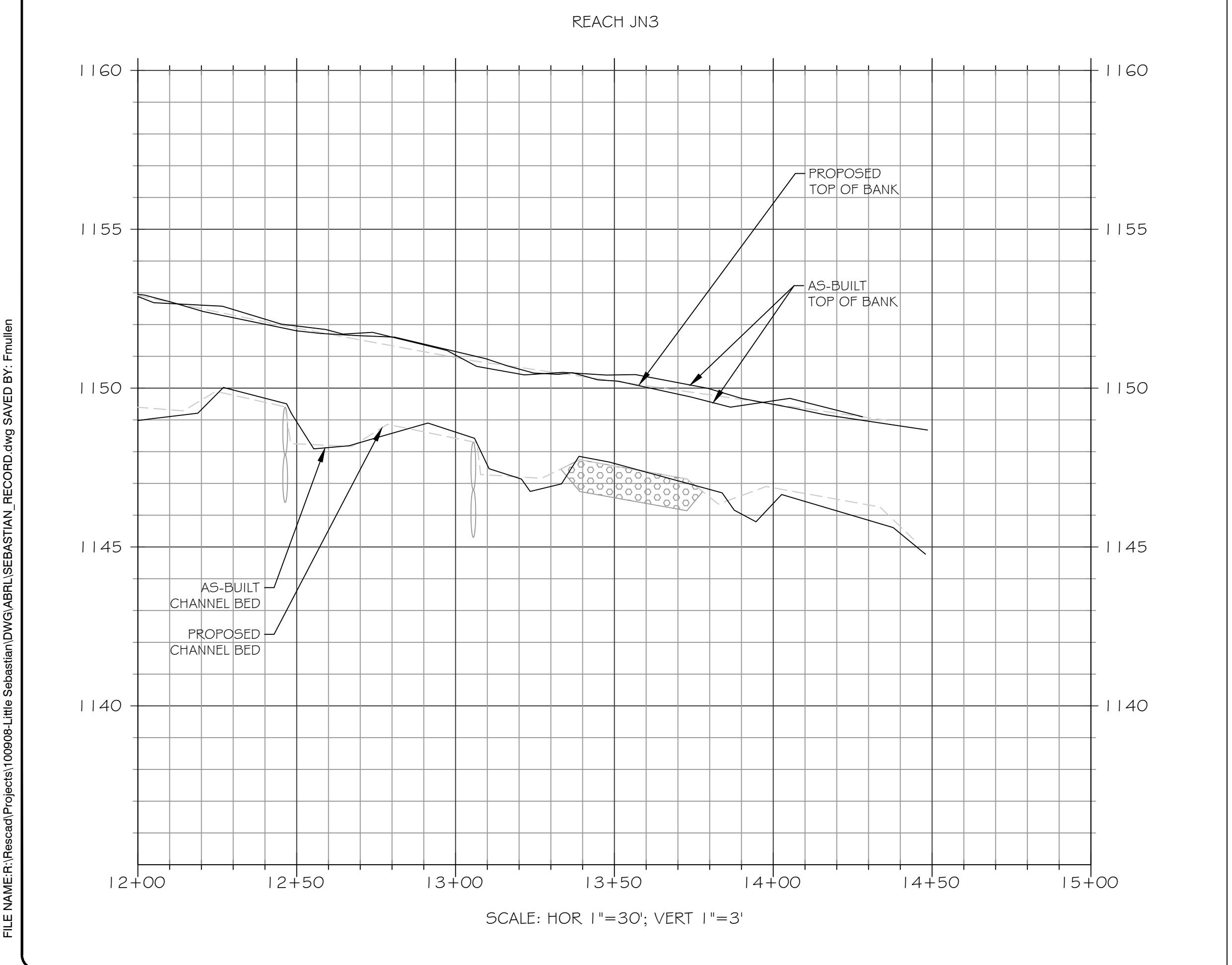
Engineering Services Provided By:
 RES Environmental Operating Company, LLC
 License: F-1428



PLOT DATE:
8/16/2021

REVISIONS:

RELEASED FOR:
RECORD DRAWINGS



NOTE: ALL SIGNIFICANT CHANGES FROM THE DESIGN ARE SHOWN IN RED

PROJECT NAME:
LITTLE SEBASTIAN SITE RECORD DRAWINGS
SURRY COUNTY, NORTH CAROLINA

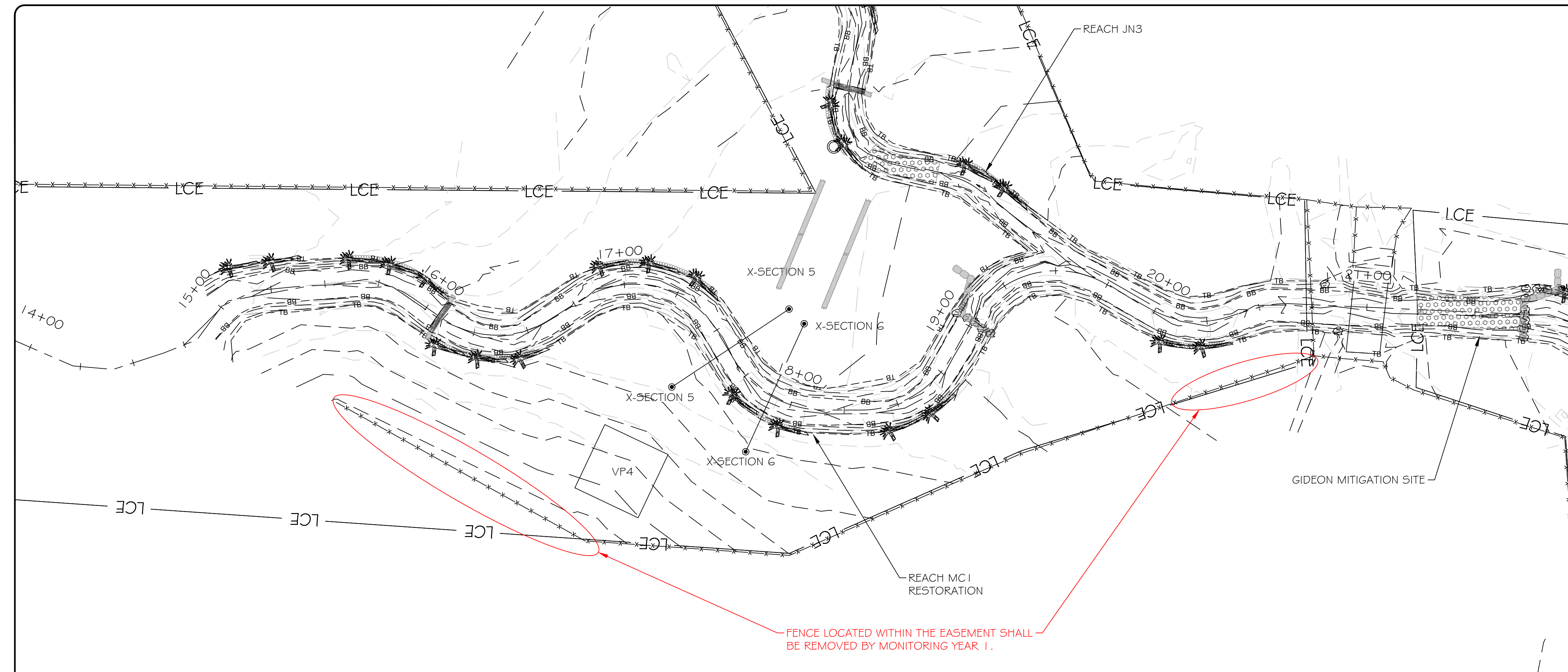
DRAWING TITLE:
REACH JN3 & JN7

PROJECT NUMBER: —
 PROJECT MANAGER: BPB
 DESIGNED: AFM
 DRAWN: TRS
 CHECKED: RTM

SHEET NUMBER:
S5

FILE NAME: F:\Rescard\Projects\100909-Little Sebastian\DWG\ARL\SEBASTIAN_RECORD.dwg SAVED BY: Fmullen

FILE NAME: F:\Research\Projects\100909-Little Sebastian\DWG\ABRL\SEBASTIAN_RECORD.dwg SAVED BY: Fmullen



LEGEND

PROPOSED CONTOUR MAJOR	— 50 —
PROPOSED CONTOUR MINOR	- - - 46 - - -
AS-BUILT CONTOUR MAJOR	— 50 —
AS-BUILT CONTOUR MINOR	- - - 46 - - -
OVERHEAD ELECTRIC UTILITY LINE	— — — — —
PROPERTY LINE	— — — — —
FENCELINE	— x — x — x — x —
AS-BUILT FENCELINE	— x — x — x — x —
TREELINE	— ~ ~ ~ ~ ~
LIMITS OF RECORDED CONSERVATION EASEMENT	— LCE —
PROPOSED BRUSH TOE PROTECTION	
PROPOSED LOG STRUCTURE	
PROPOSED ROCK STRUCTURE	
PROPOSED CONSTRUCTED RIFFLE	
PROPOSED LOG STRUCTURE (PROFILE)	
PROPOSED ROCK STRUCTURE (PROFILE)	
AS-BUILT BRUSH TOE PROTECTION	
AS-BUILT LOG STRUCTURE	
AS-BUILT ROCK STRUCTURE	
GROUNDWATER MONITORING WELL	
STAGE RECORDER	
FLOW GAUGE	
MONITORING CROSS SECTION	
VEGETATION MONITORING PLOT	

res
 3600 Glenwood Ave, Suite 100
 Raleigh, NC 27612
 Main: 919.829.9909
 www.res.us

Engineering Services Provided By:
 RES Environmental Operating Company, LLC
 License: F-1428

SEAL

FULL SCALE: 1"=30'

2" = FULL SCALE
 1" = HALF SCALE

PLOT DATE:
8/18/2021

REVISIONS:

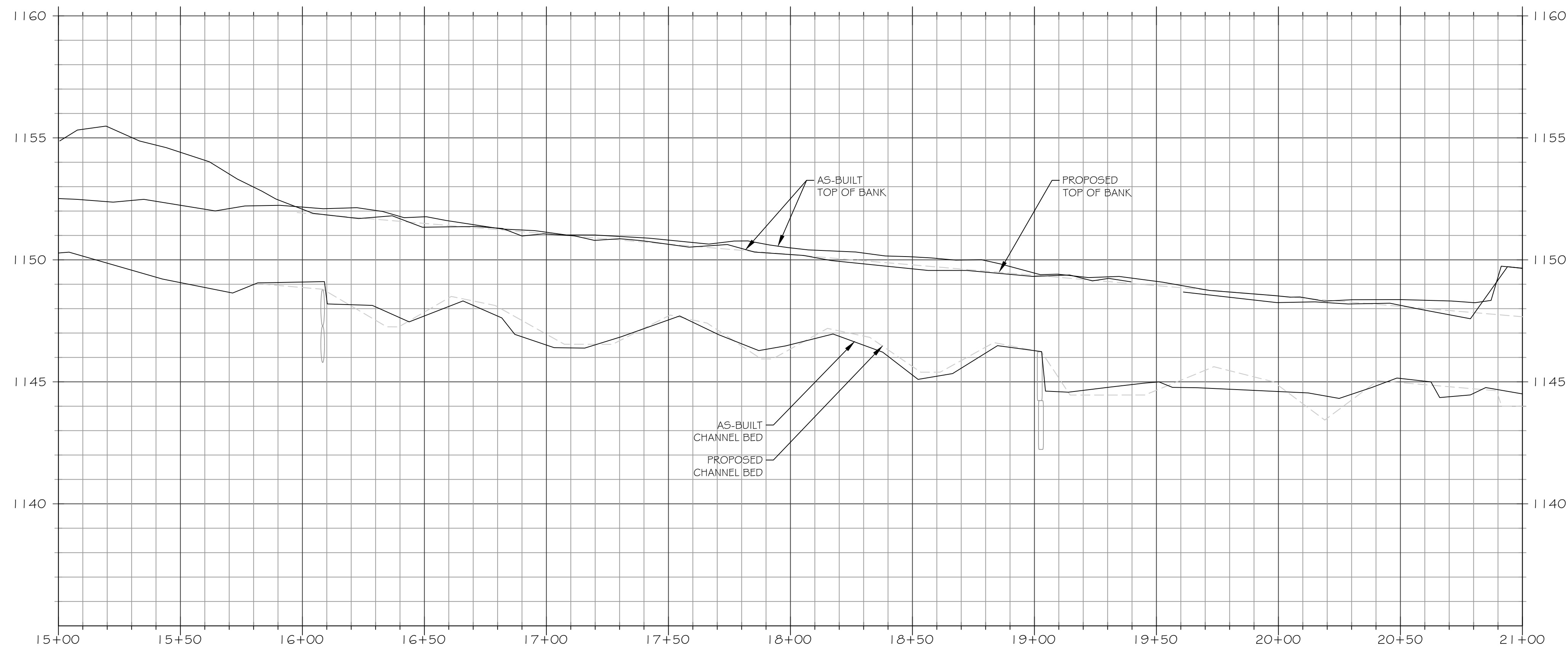
RELEASED FOR:
RECORD DRAWINGS

PROJECT NAME:
LITTLE SEBASTIAN SITE RECORD DRAWINGS
SURRY COUNTY, NORTH CAROLINA

DRAWING TITLE:
REACH MC1

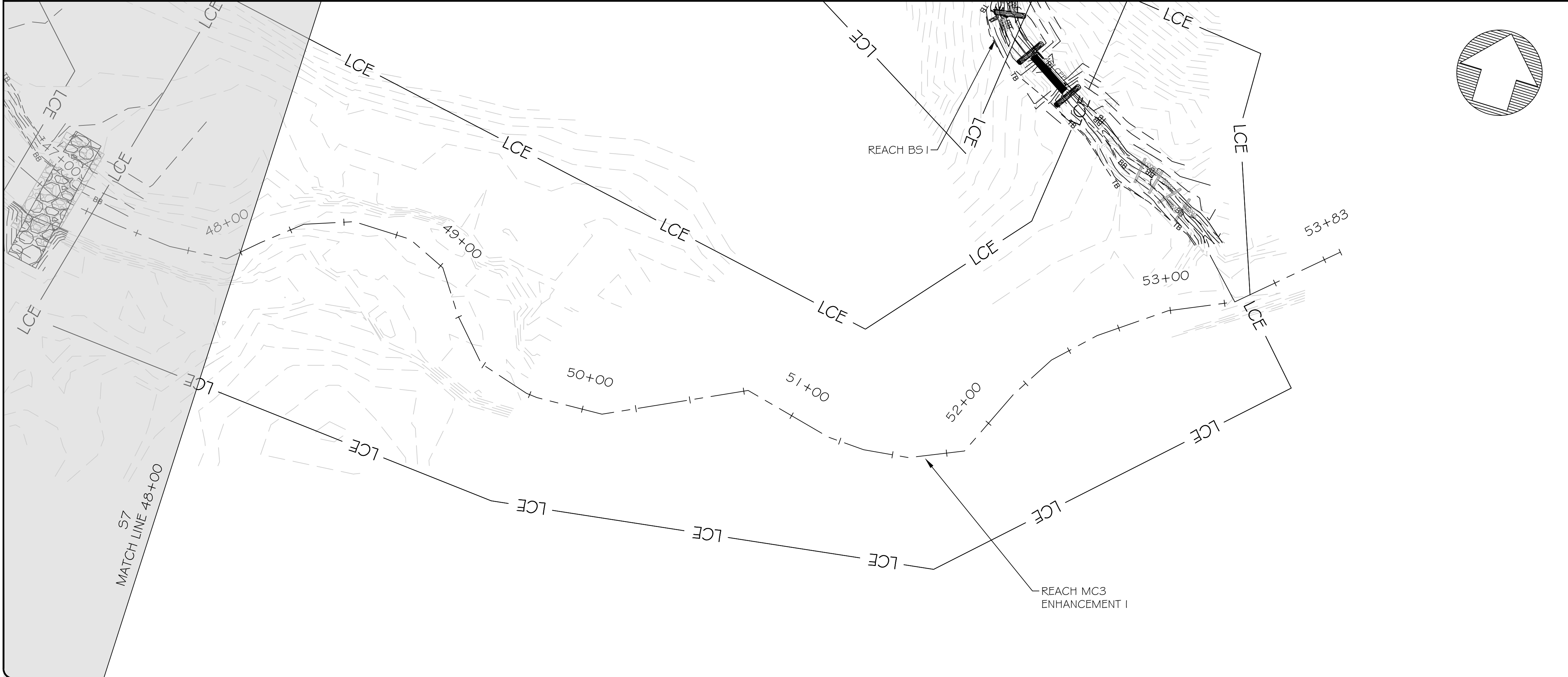
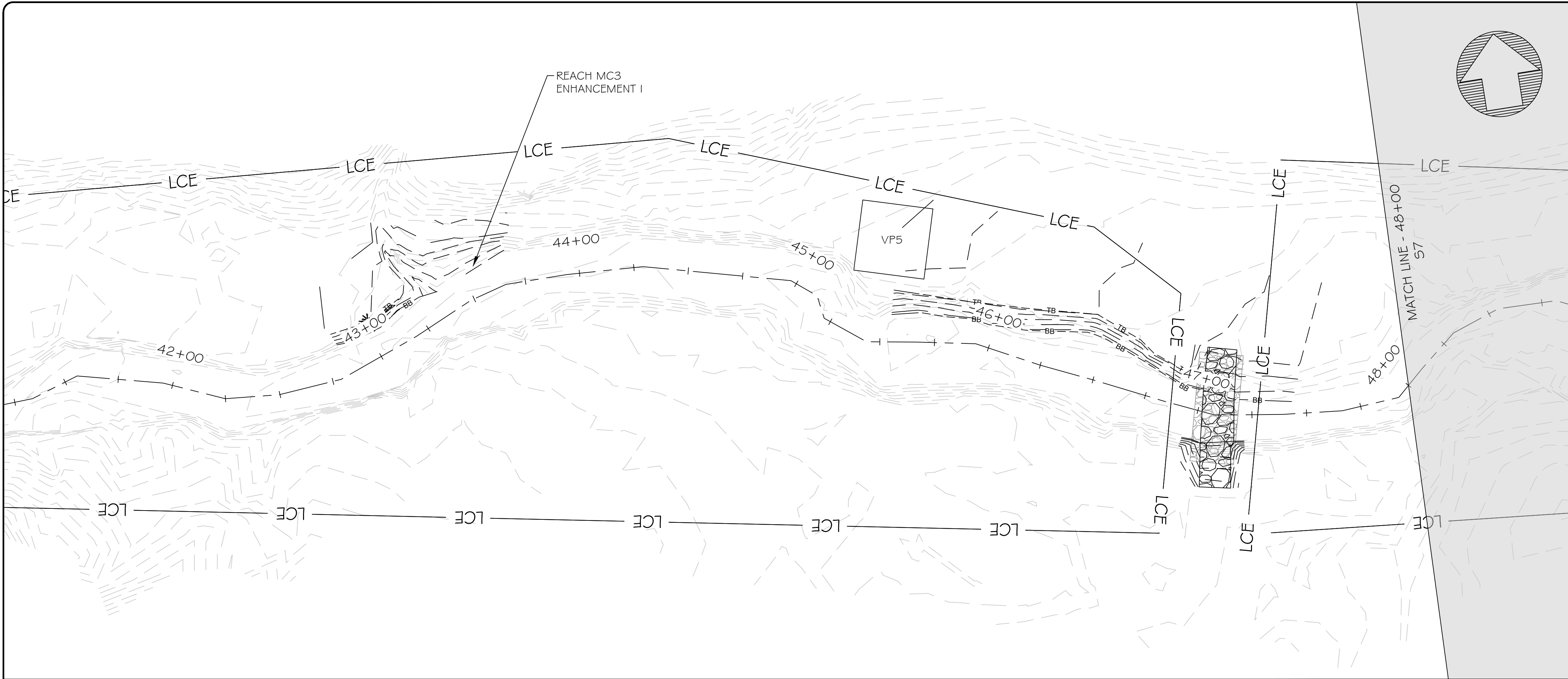
PROJECT NUMBER: —
 PROJECT MANAGER: BPB
 DESIGNED: AFM
 DRAWN: TRS
 CHECKED: RTM

SHEET NUMBER:
S6



NOTE: ALL SIGNIFICANT CHANGES FROM THE DESIGN ARE SHOWN IN RED

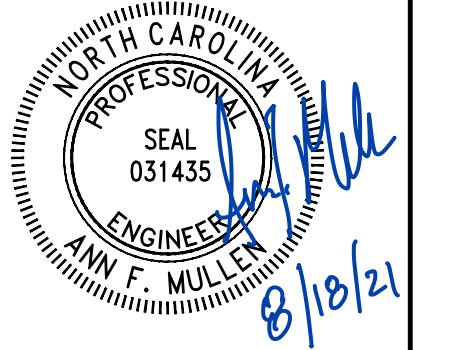
FILE NAME: F:\Rescard\Projects\100909-Little Sebastian\DWG\ABRL\SEBASTIAN_RECORD.dwg SAVED BY: Fmullen



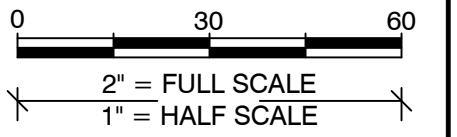
3600 Glenwood Ave, Suite 100
Raleigh, NC 27612
Main: 919.829.9909
www.res.us

Engineering Services Provided By:
RES Environmental Operating Company, LLC
License: F-1428

SEAL



FULL SCALE: 1"=30'



PLOT DATE:
8/16/2021

REVISIONS:

RELEASED FOR:
RECORD DRAWINGS

PROJECT NAME:
LITTLE SEBASTIAN SITE RECORD DRAWINGS
SURRY COUNTY, NORTH CAROLINA

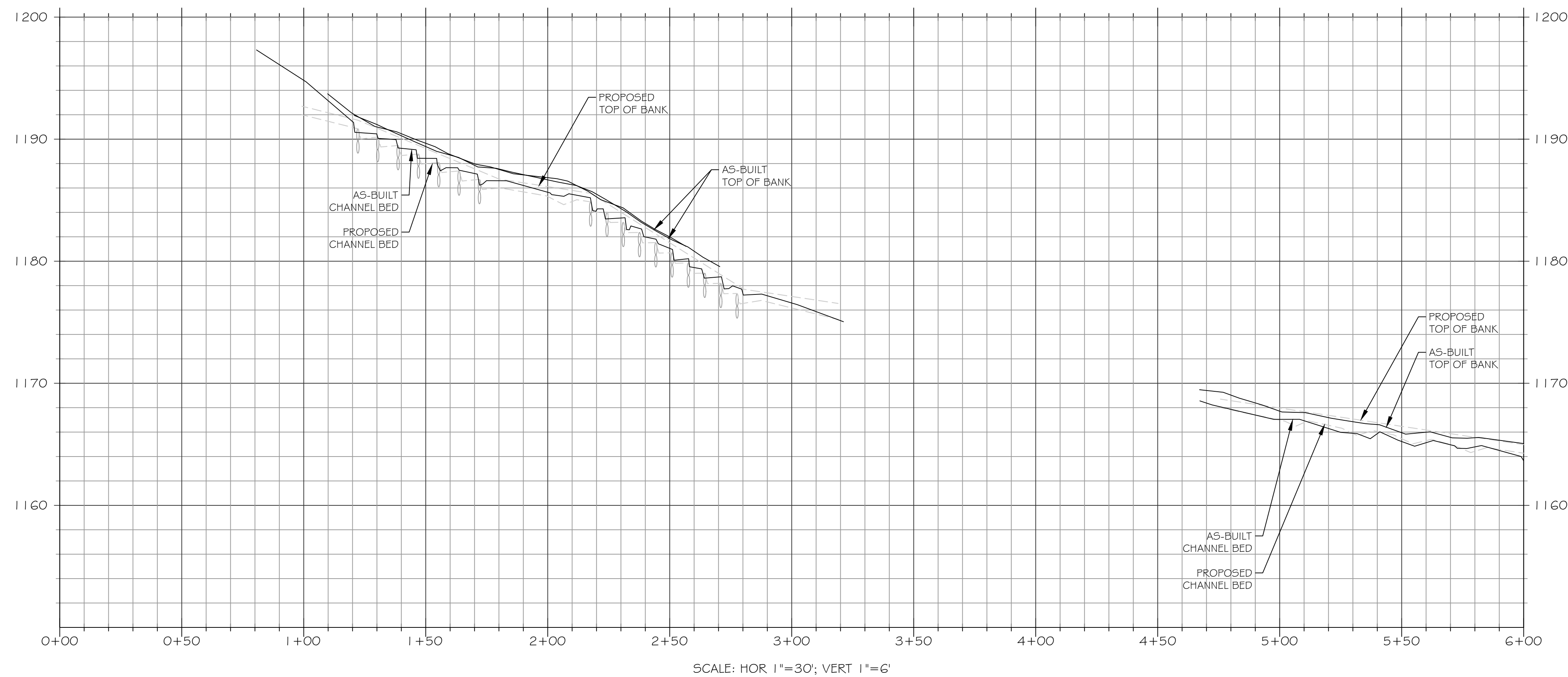
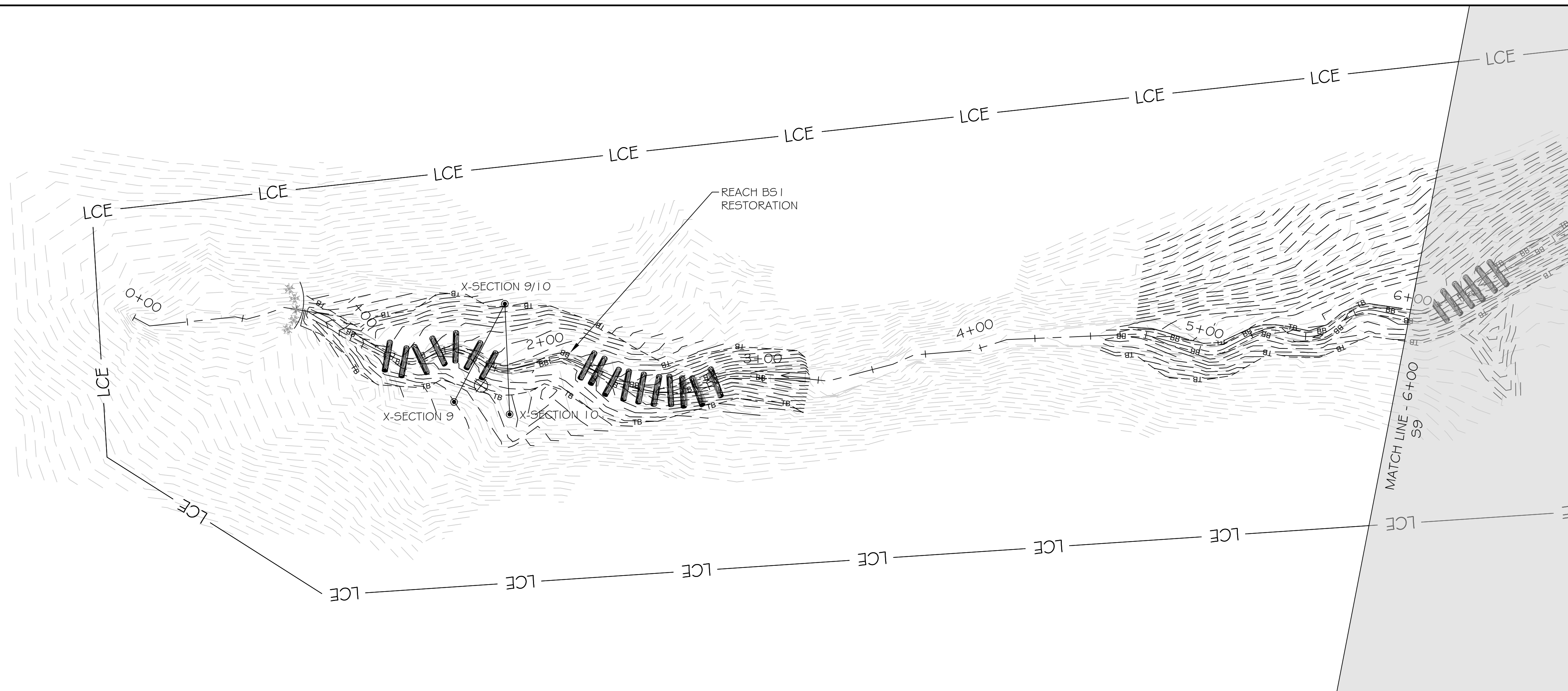
DRAWING TITLE:
REACH MC3

PROJECT NUMBER: ---
PROJECT MANAGER: BPB
DESIGNED: AFM
DRAWN: TRS
CHECKED: RTM

SHEET NUMBER:

S7

FILE NAME: F:\Rescad\Projects\100909-Little Sebastian\DWG\ABRL\SEBASTIAN_RECORD.dwg SAVED BY: Fmullen



SCALE: HOR 1"=30'; VERT 1"=6'

LEGEND

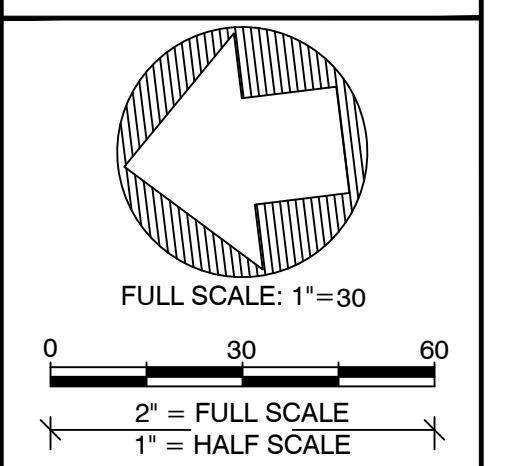
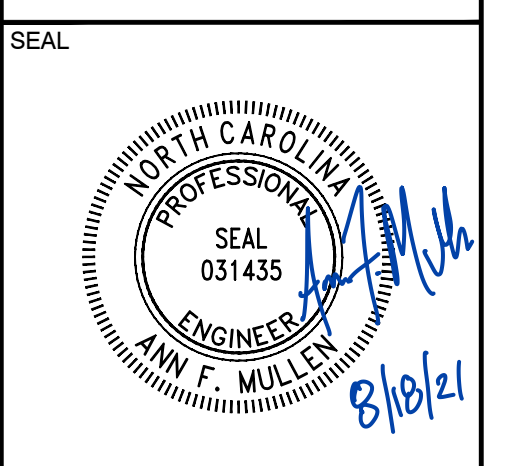
PROPOSED CONTOUR MAJOR	— 50 —
PROPOSED CONTOUR MINOR	— 46 —
AS-BUILT CONTOUR MAJOR	— 50 —
AS-BUILT CONTOUR MINOR	— 46 —
OVERHEAD ELECTRIC UTILITY LINE	— — — — —
PROPERTY LINE	— — — — —
FENCELINE	— X — X — X — X —
AS-BUILT FENCELINE	— X — X — X — X —
TREELINE	— — — — —
LIMITS OF RECORDED CONSERVATION EASEMENT	— LCE —
PROPOSED BRUSH TOE PROTECTION	
PROPOSED LOG STRUCTURE	
PROPOSED ROCK STRUCTURE	
PROPOSED CONSTRUCTED RIFFLE	
PROPOSED LOG STRUCTURE (PROFILE)	
PROPOSED ROCK STRUCTURE (PROFILE)	
AS-BUILT BRUSH TOE PROTECTION	
AS-BUILT LOG STRUCTURE	
AS-BUILT ROCK STRUCTURE	
GROUNDWATER MONITORING WELL	
STAGE RECORDER	
FLOW GAUGE	
MONITORING CROSS SECTION	
VEGETATION MONITORING PLOT	

NOTE: ALL SIGNIFICANT CHANGES FROM THE DESIGN ARE SHOWN IN RED



3600 Glenwood Ave, Suite 100
Raleigh, NC 27612
Main: 919.829.9909
www.res.us

Engineering Services Provided By:
RES Environmental Operating Company, LLC
License: F-1428



PLOT DATE:
8/16/2021

REVISIONS:

RELEASED FOR:
RECORD DRAWINGS

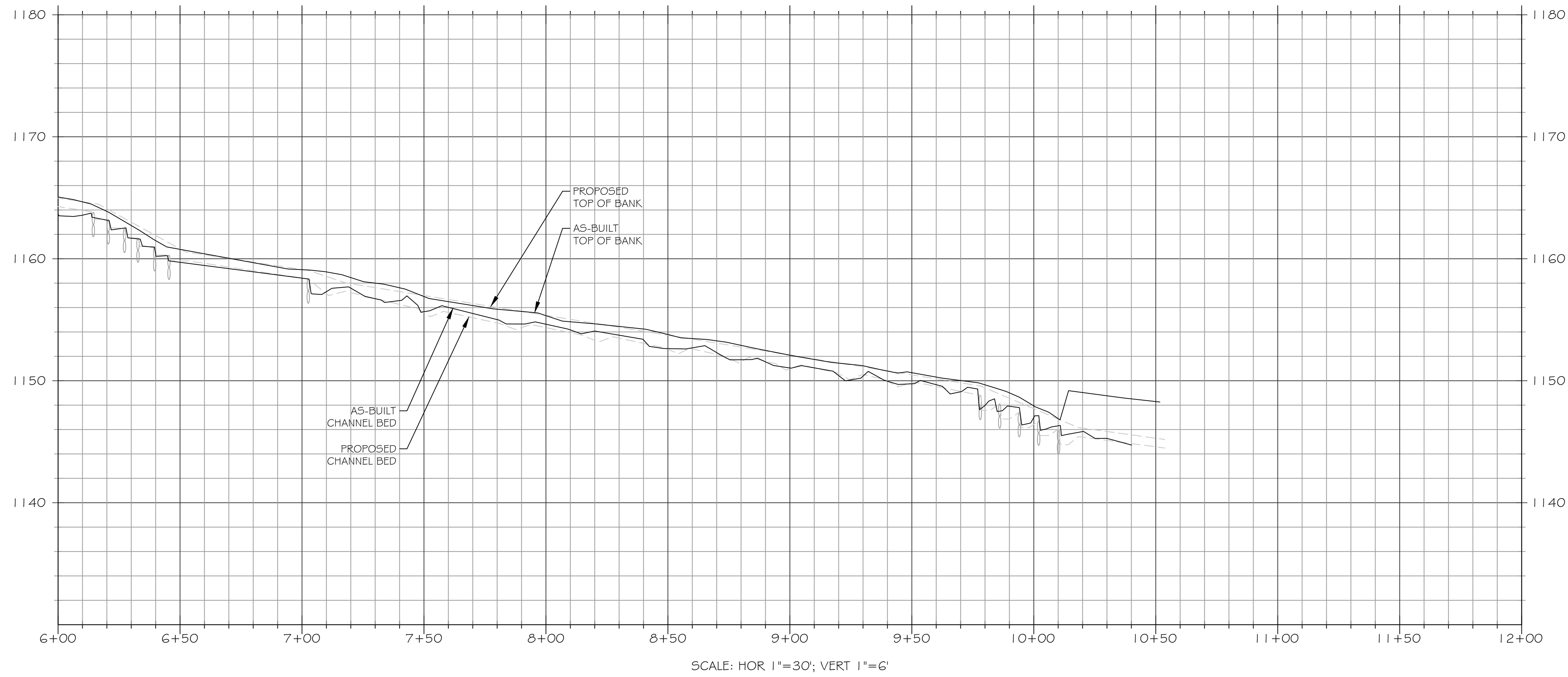
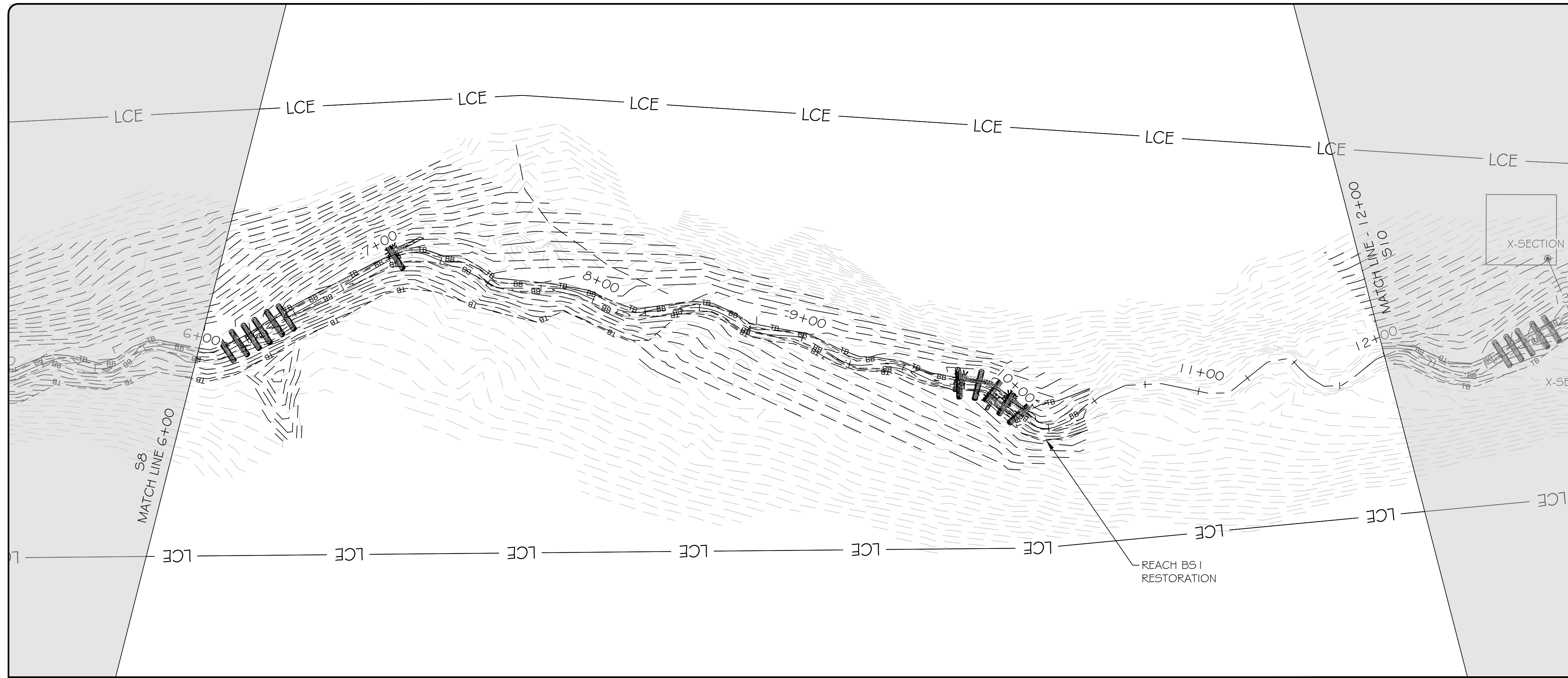
PROJECT NAME:
LITTLE SEBASTIAN SITE RECORD DRAWINGS
SURRY COUNTY, NORTH CAROLINA

DRAWING TITLE:
REACH BS1

PROJECT NUMBER: —
PROJECT MANAGER: BPB
DESIGNED: AFM
DRAWN: TRS
CHECKED: RTM

SHEET NUMBER:
S8

FILE NAME: F:\Research\Projects\100909-Little Sebastian\DWG\ARL\SEBASTIAN_RECORD.dwg SAVED BY: Fmullen



SCALE: HOR 1"=30'; VERT 1"=6'

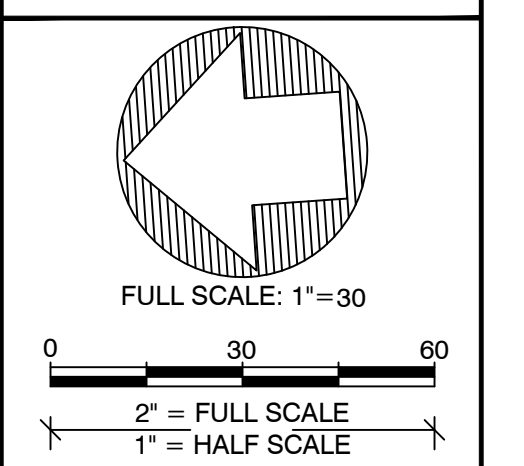
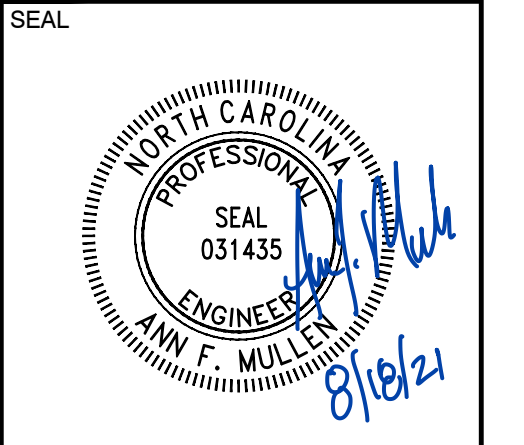
LEGEND	
PROPOSED CONTOUR MAJOR	— 50 —
PROPOSED CONTOUR MINOR	— 46 —
AS-BUILT CONTOUR MAJOR	— 50 —
AS-BUILT CONTOUR MINOR	— 46 —
OVERHEAD ELECTRIC UTILITY LINE	— — — — —
PROPERTY LINE	— — — — —
FENCELINE	— X — X — X — X — X —
AS-BUILT FENCELINE	— X — X — X — X — X —
TREELINE	— — — — —
LIMITS OF RECORDED CONSERVATION EASEMENT	— LCE —
PROPOSED BRUSH TOE PROTECTION	
PROPOSED LOG STRUCTURE	
PROPOSED ROCK STRUCTURE	
PROPOSED CONSTRUCTED RIFFLE	
PROPOSED LOG STRUCTURE (PROFILE)	
PROPOSED ROCK STRUCTURE (PROFILE)	
AS-BUILT BRUSH TOE PROTECTION	
AS-BUILT LOG STRUCTURE	
AS-BUILT ROCK STRUCTURE	
GROUNDWATER MONITORING WELL	
STAGE RECORDER	
FLOW GAUGE	
MONITORING CROSS SECTION	
VEGETATION MONITORING PLOT	

NOTE: ALL SIGNIFICANT CHANGES FROM THE DESIGN ARE SHOWN IN RED



3600 Glenwood Ave, Suite 100
Raleigh, NC 27612
Main: 919.829.9909
www.res.us

Engineering Services Provided By:
RES Environmental Operating Company, LLC
License: F-1428



PLOT DATE: 8/16/2021	RELEASED FOR: RECORD DRAWINGS
REVISIONS:	

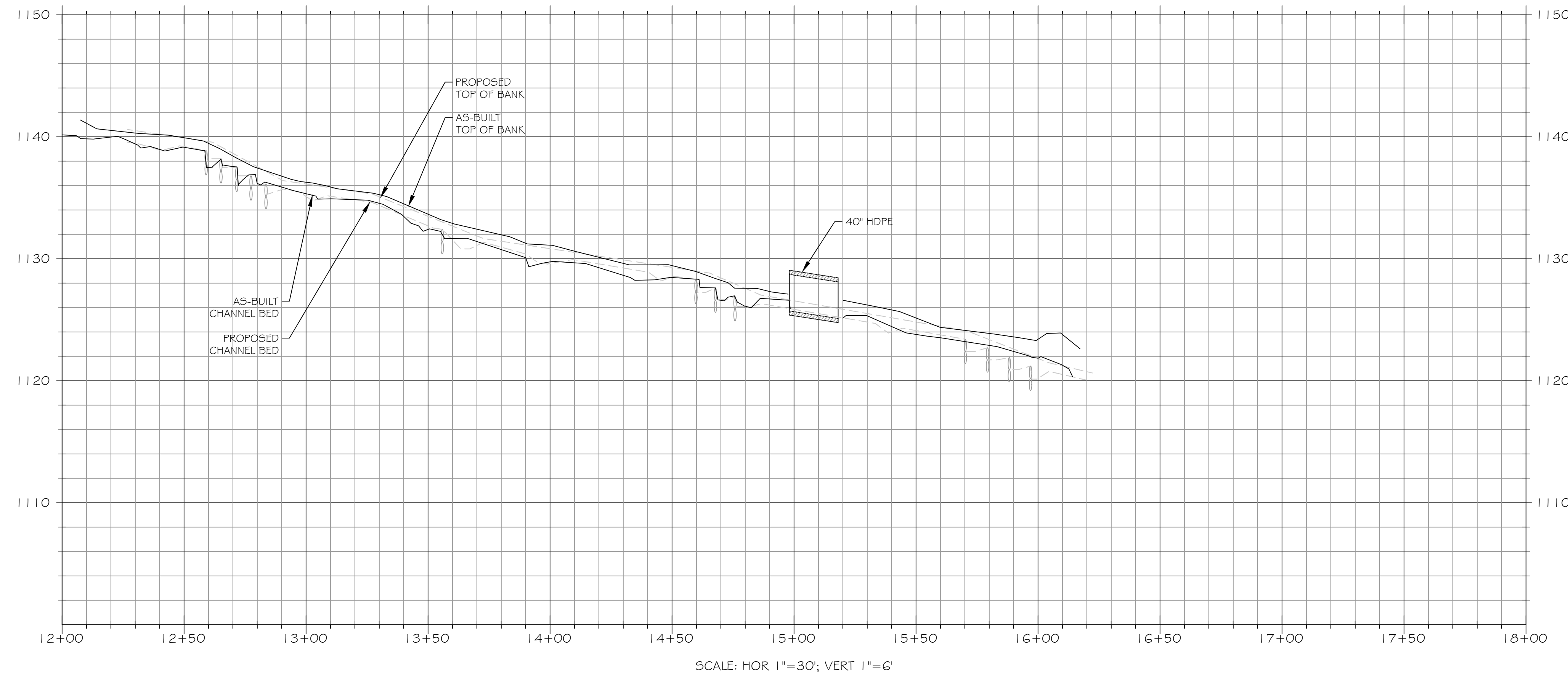
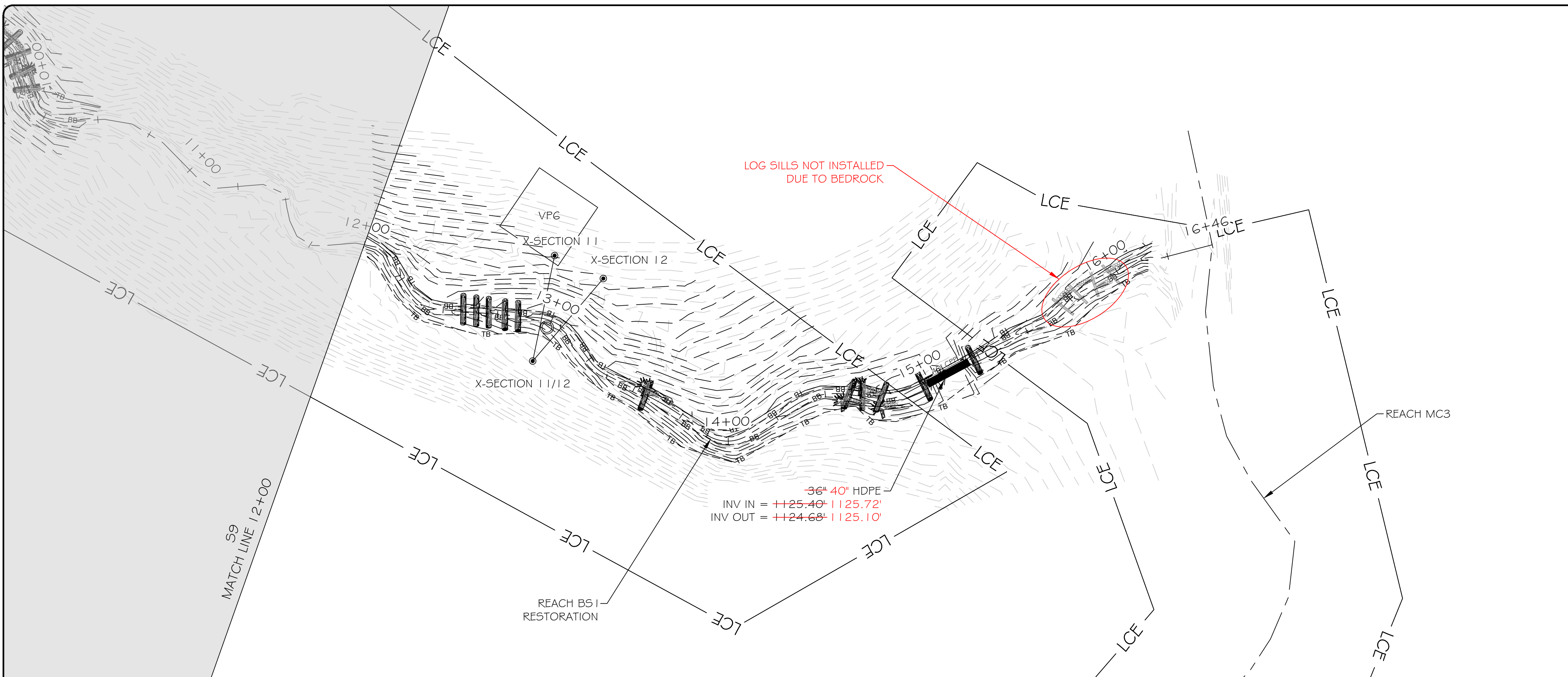
PROJECT NAME:
LITTLE SEBASTIAN SITE RECORD DRAWINGS
SURRY COUNTY, NORTH CAROLINA

DRAWING TITLE:
REACH BS1

PROJECT NUMBER: —
PROJECT MANAGER: BPB
DESIGNED: AFM
DRAWN: TRS
CHECKED: RTM

SHEET NUMBER:
S9

FILE NAME: F:\Research\Projects\100909-Little Sebastian\DWG\ABRL\SEBASTIAN_RECORD.dwg SAVED BY: Fmullen



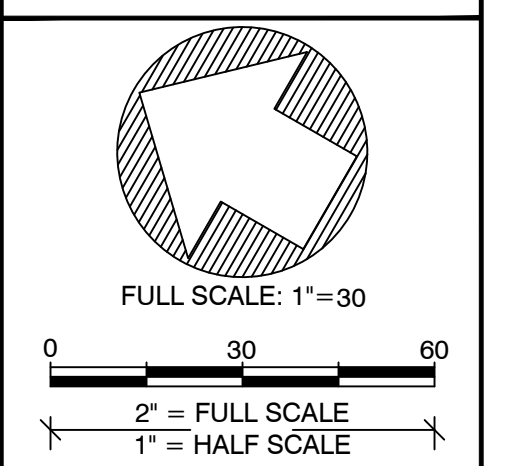
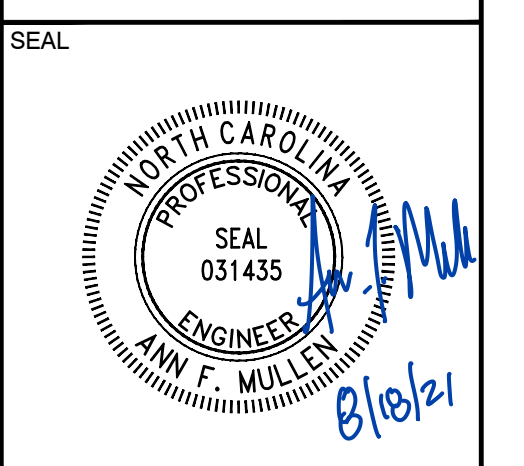
LEGEND

PROPOSED CONTOUR MAJOR	— 50 —
PROPOSED CONTOUR MINOR	- - - 46 - - -
AS-BUILT CONTOUR MAJOR	— 50 —
AS-BUILT CONTOUR MINOR	- - - 46 - - -
OVERHEAD ELECTRIC UTILITY LINE	— — — — —
PROPERTY LINE	— — — — —
FENCELINE	- x - x - x - x -
AS-BUILT FENCELINE	- x - x - x - x -
TREELINE	~ ~ ~ ~ ~
LIMITS OF RECORDED CONSERVATION EASEMENT	— LCE —
PROPOSED BRUSH TOE PROTECTION	
PROPOSED LOG STRUCTURE	
PROPOSED ROCK STRUCTURE	
PROPOSED CONSTRUCTED RIFFLE	
PROPOSED LOG STRUCTURE (PROFILE)	
PROPOSED ROCK STRUCTURE (PROFILE)	
AS-BUILT BRUSH TOE PROTECTION	
AS-BUILT LOG STRUCTURE	
AS-BUILT ROCK STRUCTURE	
GROUNDWATER MONITORING WELL	
STAGE RECORDER	
FLOW GAUGE	
MONITORING CROSS SECTION	
VEGETATION MONITORING PLOT	

NOTE: ALL SIGNIFICANT CHANGES FROM THE DESIGN ARE SHOWN IN RED



Engineering Services Provided By:
RES Environmental Operating Company, LLC
License: F-1428



PLOT DATE:	8/16/2021
REVISIONS:	
RELEASED FOR:	RECORD DRAWINGS

PROJECT NAME:
LITTLE SEBASTIAN SITE RECORD DRAWINGS
SURRY COUNTY, NORTH CAROLINA

DRAWING TITLE:
REACH BS1

PROJECT NUMBER:	---
PROJECT MANAGER:	BPB
DESIGNED:	AFM
DRAWN:	TRS
CHECKED:	RTM

SHEET NUMBER:
S10