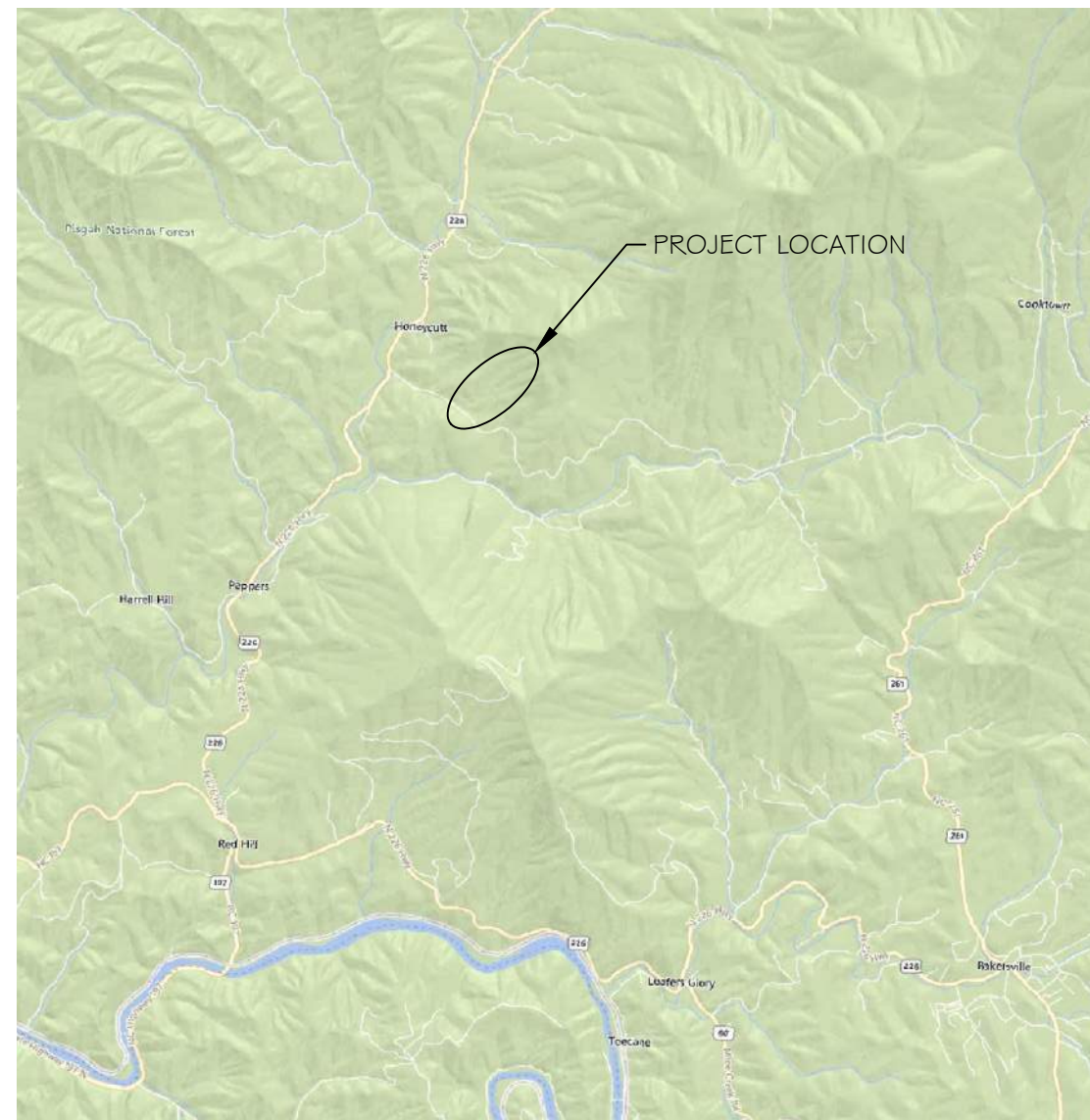


MONKEY WALL SITE RECORD DRAWINGS

PROJECT LOCATION: (36.058169, -82.204638)
MITCHELL COUNTY, NORTH CAROLINA

FRENCH BROAD RIVER BASIN: HUC 06010108
JUNE 2022

RESOURCE ENVIRONMENTAL SOLUTIONS, LLC
3600 GLENWOOD AVE, SUITE 100
RALEIGH, NC 27612



VICINITY MAP
NTS

PROJECT DIRECTORY

DESIGNED BY:
RESOURCE ENVIRONMENTAL SOLUTIONS, LLC
3600 GLENWOOD AVE., SUITE 100
RALEIGH, NC 27612

DESIGNED FOR:
HARRY TSOMIDES
NC DEPARTMENT OF ENVIRONMENTAL QUALITY
DIVISION OF MITIGATION SERVICES
217 WEST JONES ST., SUITE 3000A
RALEIGH, NC 27603

AS-BUILT SURVEY BY:
RESOURCE ENVIRONMENTAL SOLUTIONS, LLC
3600 GLENWOOD AVE., SUITE 100
RALEIGH, NC 27612

DMS PROJECT #: 100069
CONTRACT #: 7536
USACE ACTION ID #: SAW-2018-01162
RFP #: 16-007336

MONKEY WALL MITIGATION SITE AS-BUILT SURVEY SEALED
BY BRIAN S. HOCKETT, PLS (L-5165) ON MAY 18, 2022.



SITE MAP
NTS

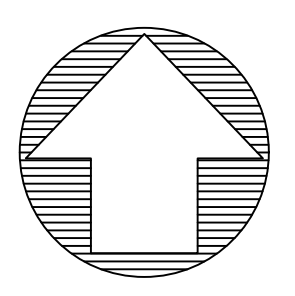
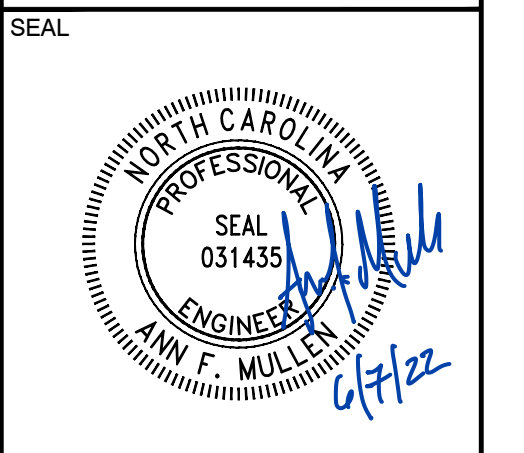
Sheet List Table

Sheet Number	Sheet Title
-	COVER
A1	OVERVIEW
S1	REACH G1-A
S2	REACH G1-B
S3	REACH G1-C
S4	REACH G1-C
S5	REACH G1-C
S6	REACH G1-C
S7	REACH G2
S8	REACH G2
S9	REACH G2
S10	REACH G2
S11	REACH G2



3600 Glenwood Ave, Suite 100
Raleigh, NC 27612
Main: 919.829.9909
www.res.us

Engineering Services Provided By:
RES Environmental Operating Company, LLC
License: F-1428



PLOT DATE:
6/6/2022

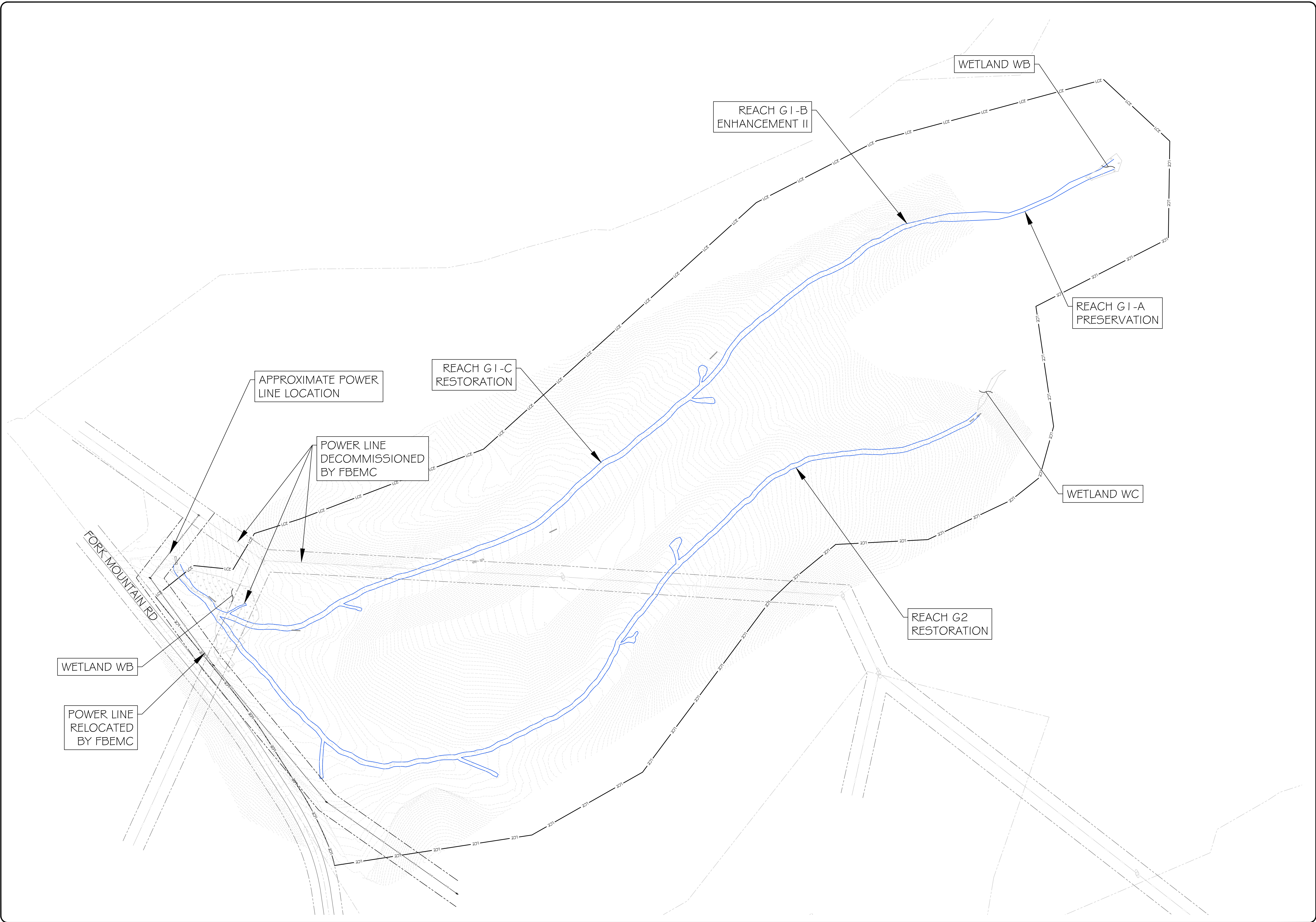
REVISIONS:

RELEASED FOR:
AS-BUILT DRAWINGS

PROJECT NUMBER: 100918
PROJECT MANAGER: BPB
DESIGNED: AFM
DRAWN: BSH
CHECKED: BRC

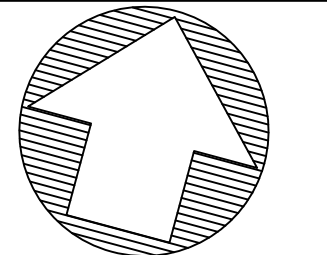
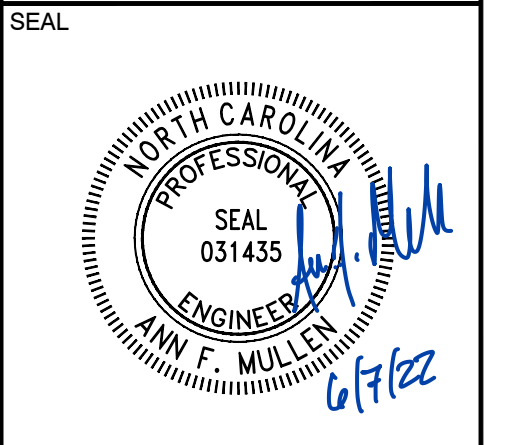
SHEET NUMBER:
-

FILE NAME: R:\Rescad\Projects\100918-Monkey Wall\ABRL\Record Drawings\100918_RD_COVER.dwg SAVED BY: Twardtfeiger



3600 Glenwood Ave, Suite 100
 Raleigh, NC 27612
 Main: 919.829.9909
 www.res.us

Engineering Services Provided By:
 RES Environmental Operating Company, LLC
 License: F-1428



FULL SCALE: 1" = 80'
 0 80 160
 2" = FULL SCALE
 1" = HALF SCALE

PLOT DATE:
 6/7/2022

REVISIONS:

RELEASED FOR:
 RECORD DRAWINGS

PROJECT NAME:
MONKEY WALL SITE RECORD DRAWINGS
MITCHELL COUNTY, NORTH CAROLINA

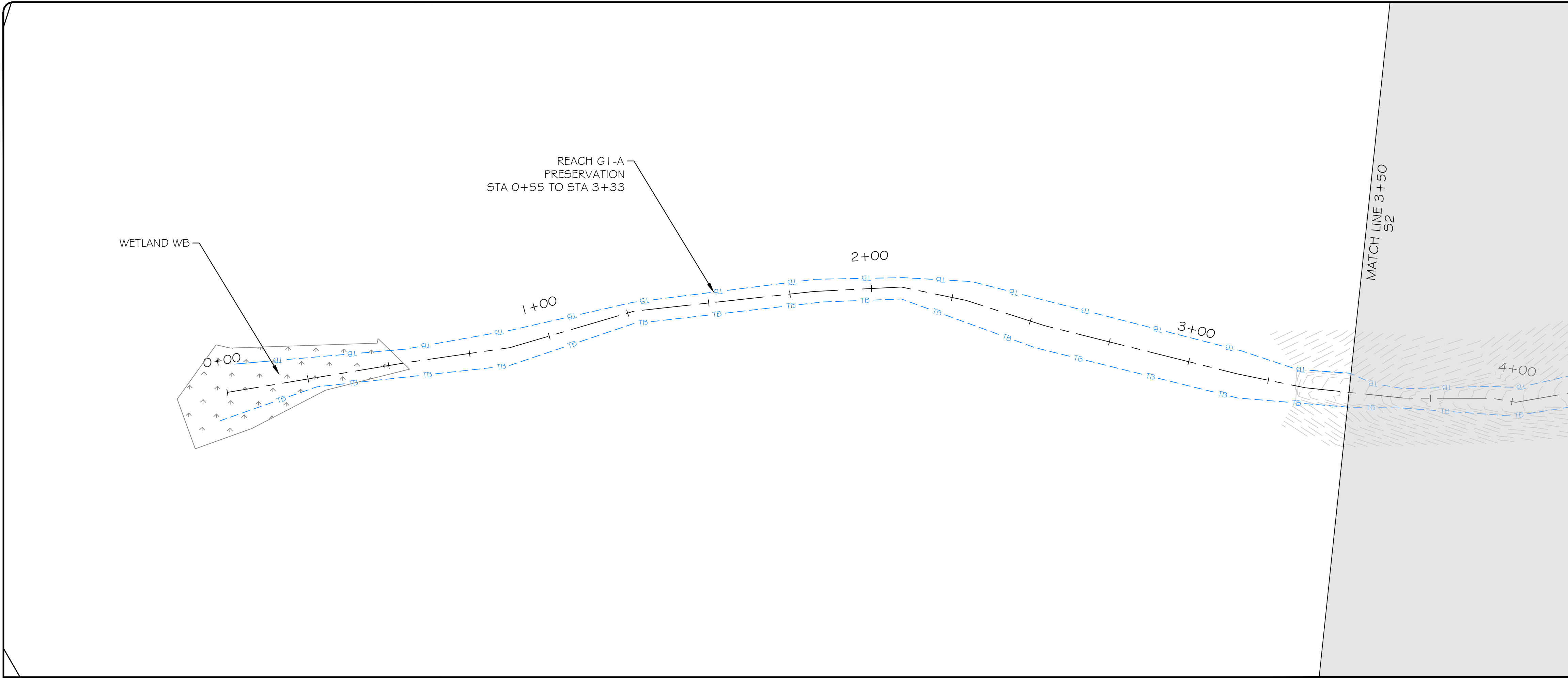
DRAWING TITLE:
OVERVIEW

PROJECT NUMBER: 100918
 PROJECT MANAGER: BPB
 DESIGNED: AFM
 DRAWN: TRS
 CHECKED: BRC

SHEET NUMBER:

A1

FILE NAME: F:\Rescad\Projects\100918\Monkey Wall\ABRL\Record Drawings\100918_RID_DESIGN.dwg SAVED BY: Tswartzfager



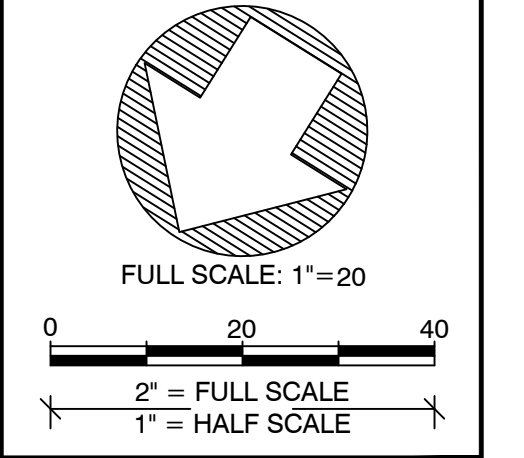
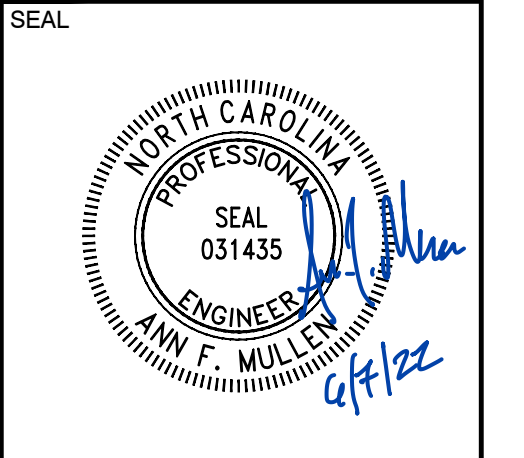
LEGEND

- AS-BUILT CONTOUR MAJOR ——— 50 ———
- AS-BUILT CONTOUR MINOR ——— 4G ———
- PROPOSED CONTOUR MAJOR ——— 50 ———
- PROPOSED CONTOUR MINOR ——— 4G ———
- WETLAND
- AS-BUILT TOP OF BANK ——— TB ———
- AS-BUILT BOTTOM OF BANK ——— BB ———
- PROPOSED TOP OF BANK ——— ———
- OVERHEAD ELECTRIC UTILITY LINE ——— ———
- PROPERTY LINE ——— ———
- AS-BUILT STONE TOE PROTECTION
- LIMITS OF CONSERVATION EASEMENT ——— LCE ———
- AS-BUILT LOG CASCADE STRUCTURE
- AS-BUILT RIFFLE GRADE CONTROL WITH ROCK SILL
- PROPOSED LOG CASCADE STRUCTURE
- PROPOSED RIFFLE GRADE CONTROL WITH ROCK SILL
- GROUNDWATER MONITORING WELL
- STAGE RECORDER
- FLOW GAUGE
- MONITORING CROSS SECTION
- VEGETATION MONITORING PLOT

res

3600 Glenwood Ave, Suite 100
Raleigh, NC 27612
Main: 919.829.9909
www.res.us

Engineering Services Provided By:
RES Environmental Operating Company, LLC
License: F-1428



PLOT DATE:
6/7/2022

REVISIONS:

RELEASED FOR:
RECORD DRAWINGS

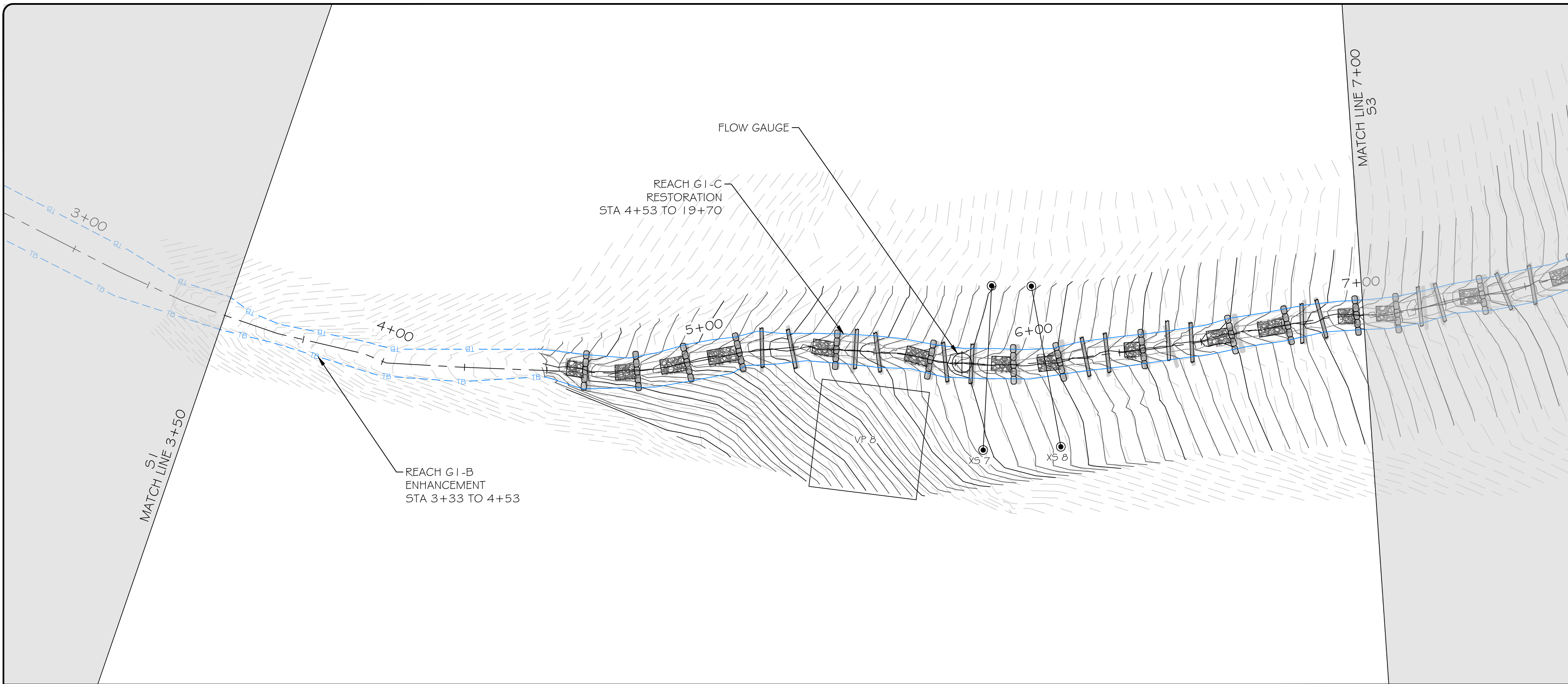
PROJECT NAME:
**MONKEY WALL SITE RECORD DRAWINGS
MITCHELL COUNTY, NORTH CAROLINA**

DRAWING TITLE:
REACH G1-A

PROJECT NUMBER: 100918
PROJECT MANAGER: BPB
DESIGNED: AFM
DRAWN: TRS
CHECKED: BRC

SHEET NUMBER:
S1

FILE NAME: F:\Rescad\Projects\100918\Monkey Wall\ABRL\Record Drawings\100918_RID_DESIGN.dwg SAVED BY: Tswartzfager

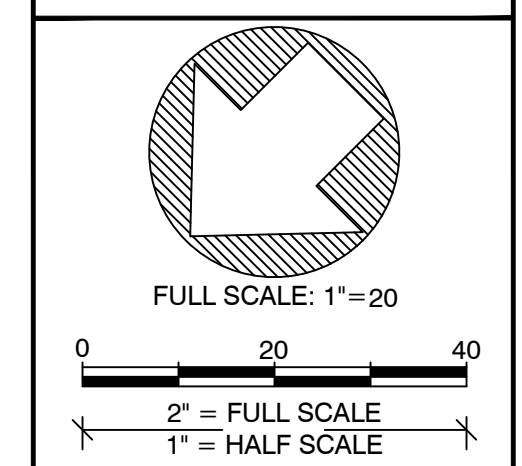
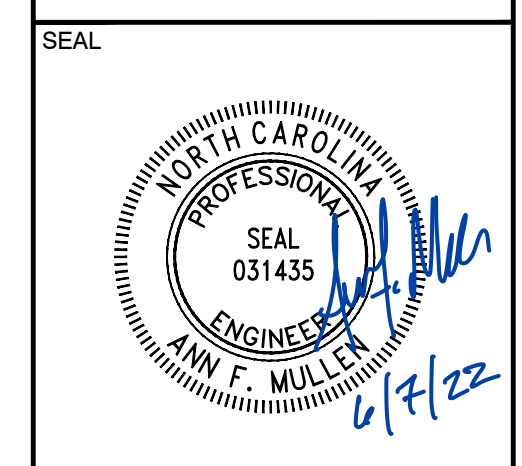


LEGEND

- AS-BUILT CONTOUR MAJOR ——— 50 ———
- AS-BUILT CONTOUR MINOR ——— 46 ———
- PROPOSED CONTOUR MAJOR ——— 50 ———
- PROPOSED CONTOUR MINOR ——— 46 ———
- WETLAND
- AS-BUILT TOP OF BANK ——— TB ———
- AS-BUILT BOTTOM OF BANK ——— BB ———
- PROPOSED TOP OF BANK ——— ———
- OVERHEAD ELECTRIC UTILITY LINE
- PROPERTY LINE ——— ———
- AS-BUILT STONE TOE PROTECTION
- LIMITS OF CONSERVATION EASEMENT ——— LCE ———
- AS-BUILT LOG CASCADE STRUCTURE
- AS-BUILT RIFFLE GRADE CONTROL WITH ROCK SILL
- PROPOSED LOG CASCADE STRUCTURE
- PROPOSED RIFFLE GRADE CONTROL WITH ROCK SILL
- GROUNDWATER MONITORING WELL
- STAGE RECORDER
- FLOW GAUGE
- MONITORING CROSS SECTION
- VEGETATION MONITORING PLOT

res
 3600 Glenwood Ave, Suite 100
 Raleigh, NC 27612
 Main: 919.829.9909
 www.res.us

Engineering Services Provided By:
 RES Environmental Operating Company, LLC
 License: F-1428



PLOT DATE:
6/7/2022

REVISIONS:

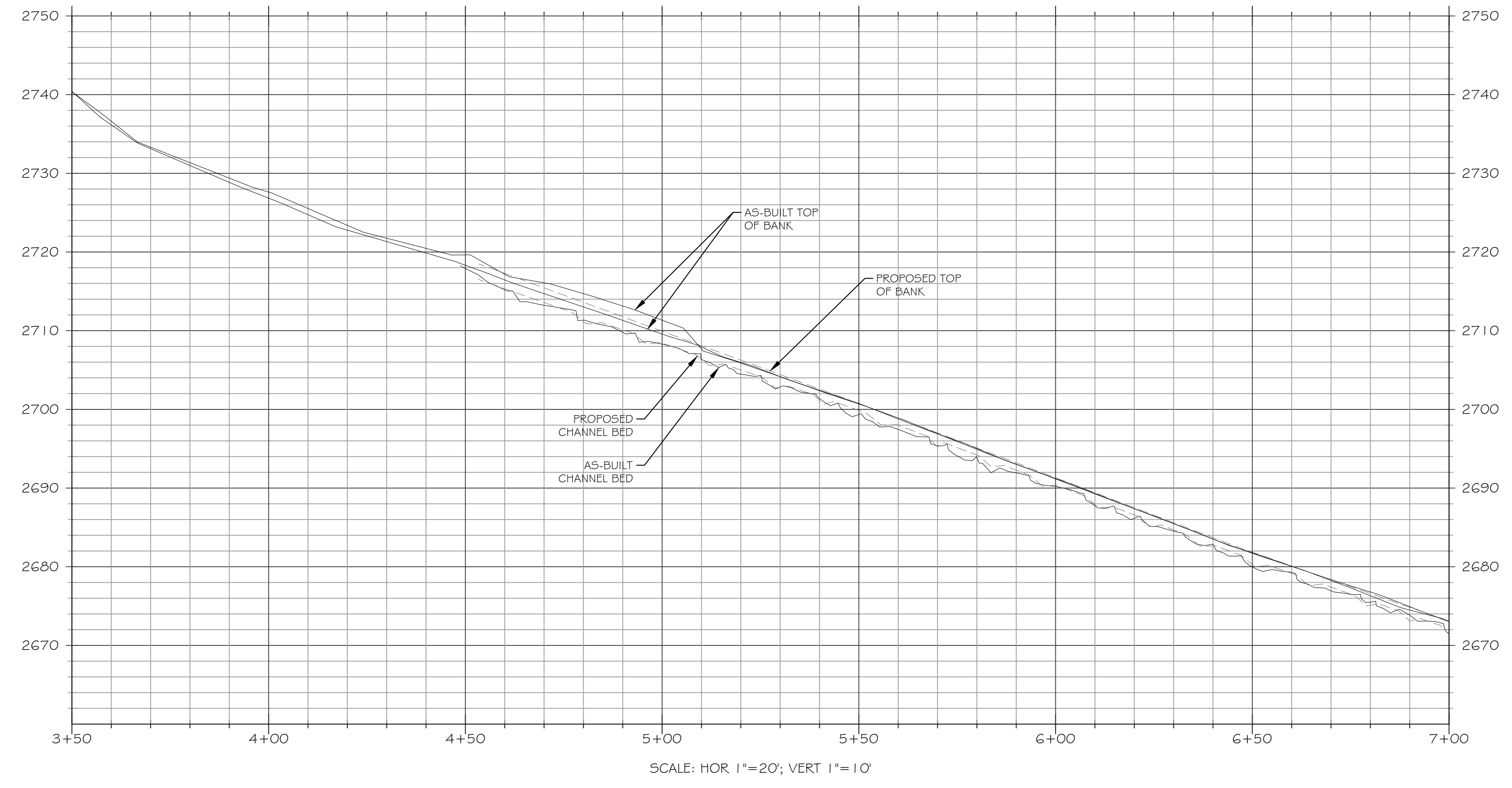
RELEASED FOR:
RECORD DRAWINGS

PROJECT NAME:
**MONKEY WALL SITE RECORD DRAWINGS
MITCHELL COUNTY, NORTH CAROLINA**

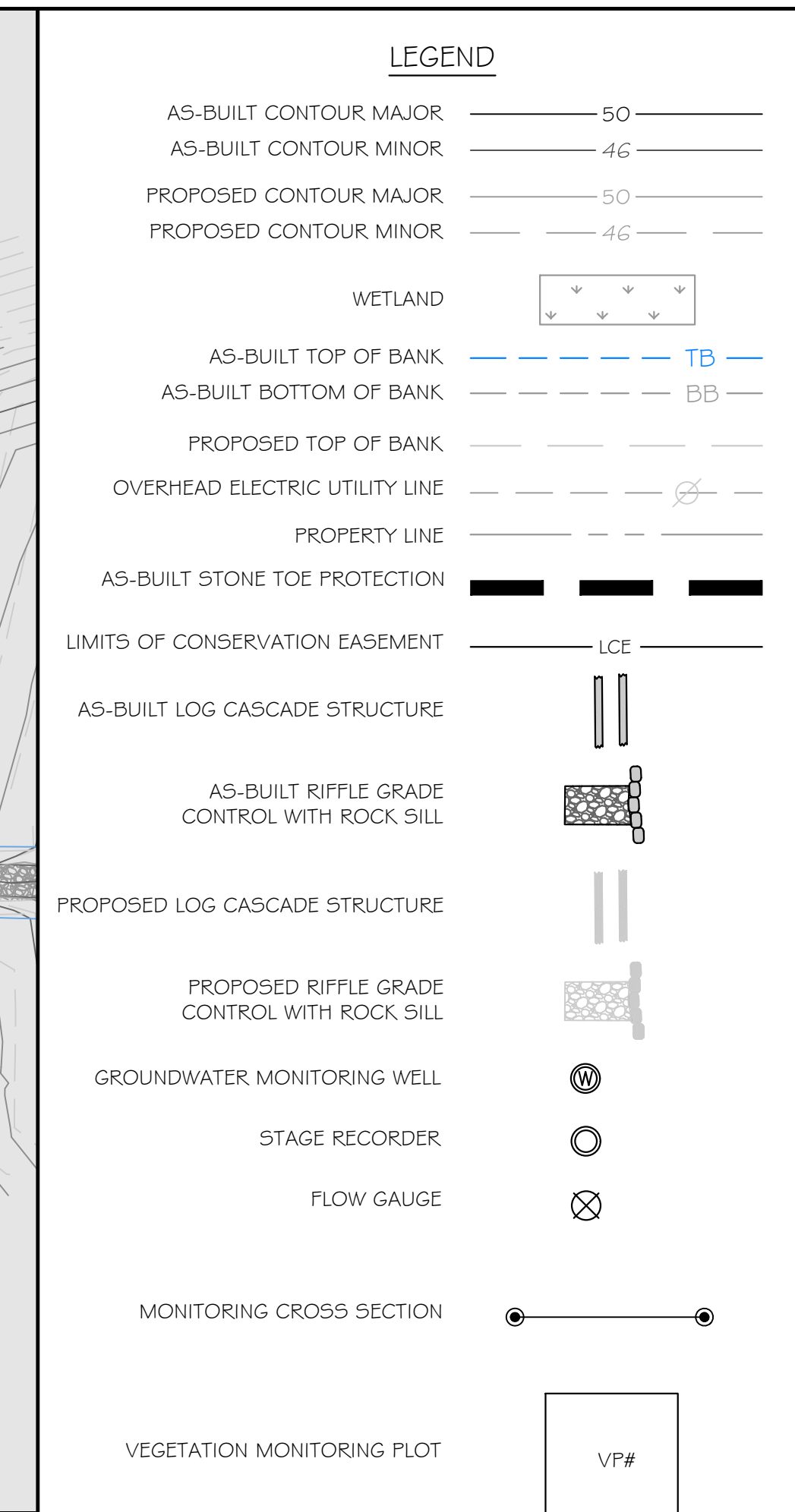
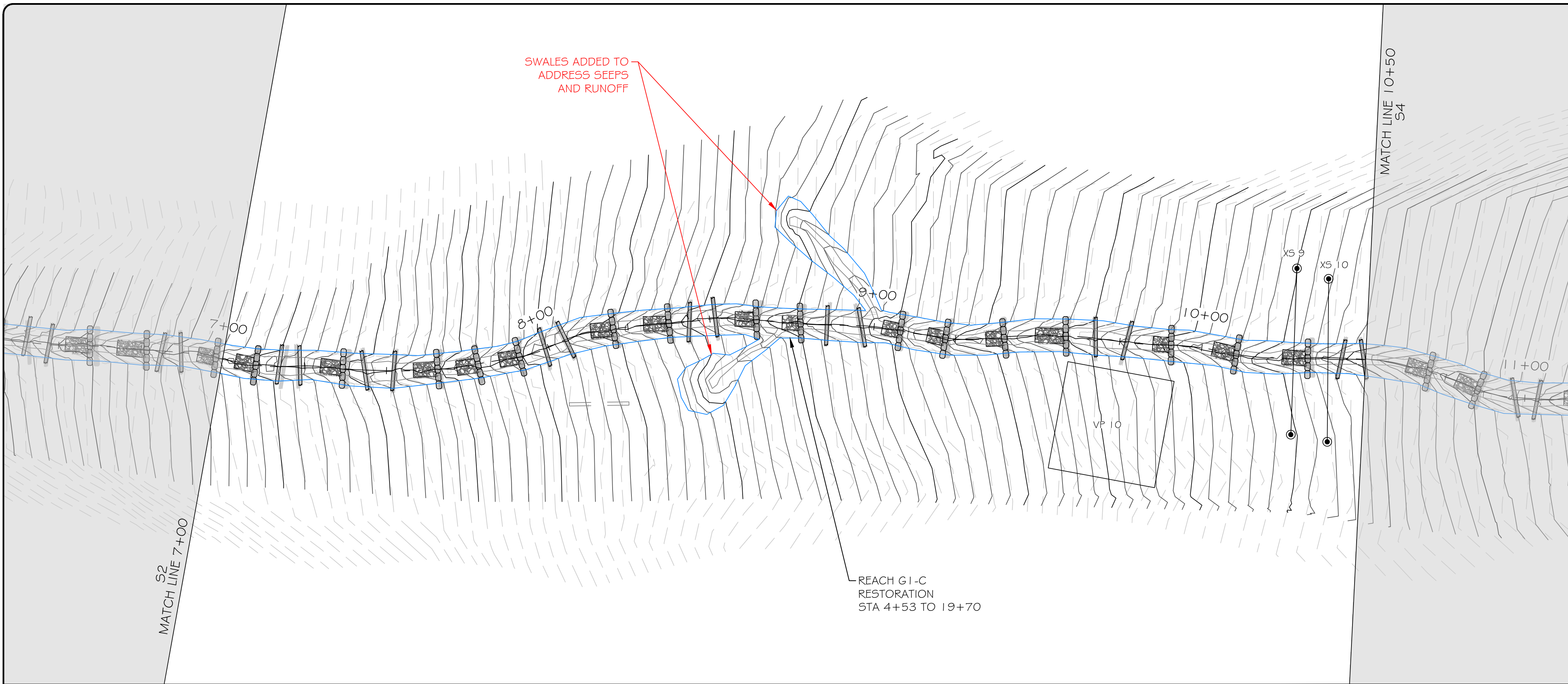
DRAWING TITLE:
REACH G1-B

PROJECT NUMBER: 100918
 PROJECT MANAGER: BPB
 DESIGNED: AFM
 DRAWN: TRS
 CHECKED: BRC

SHEET NUMBER:
S2



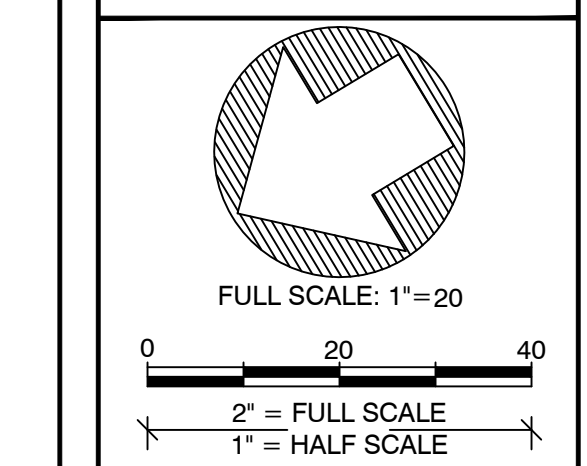
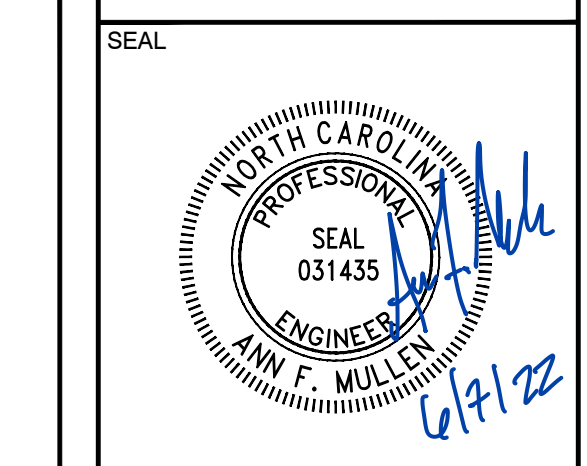
FILE NAME: F:\Rescad\Projects\100918\Monkey Wall\ABRL\Record Drawings\100918_RID_DESIGN.dwg SAVED BY: Tswartzfager



res

3600 Glenwood Ave, Suite 100
Raleigh, NC 27612
Main: 919.829.9909
www.res.us

Engineering Services Provided By:
RES Environmental Operating Company, LLC
License: F-1428



PLOT DATE:
6/7/2022

REVISIONS:

RELEASED FOR:
RECORD DRAWINGS

PROJECT NAME:
MONKEY WALL SITE RECORD DRAWINGS
MITCHELL COUNTY, NORTH CAROLINA

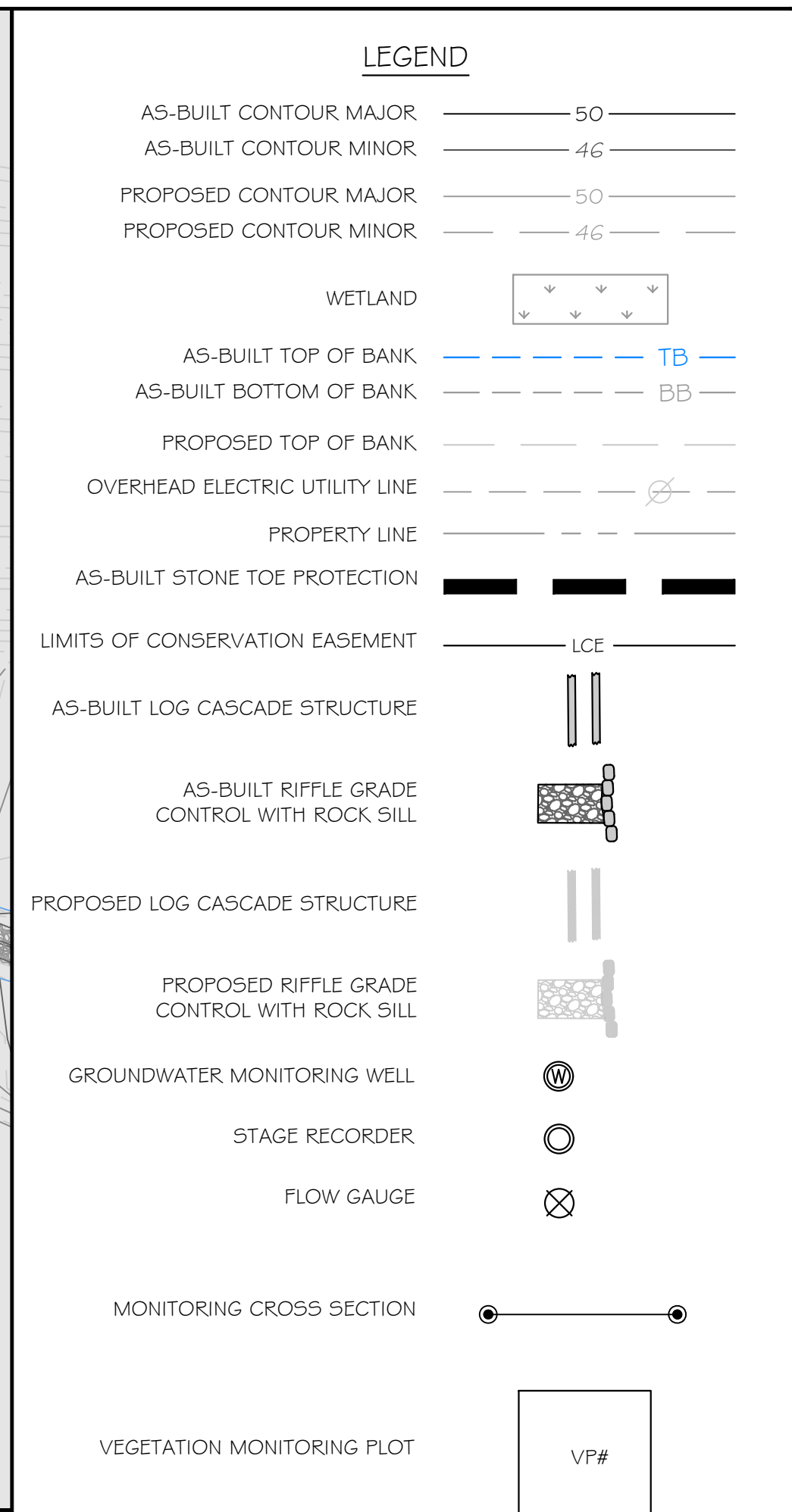
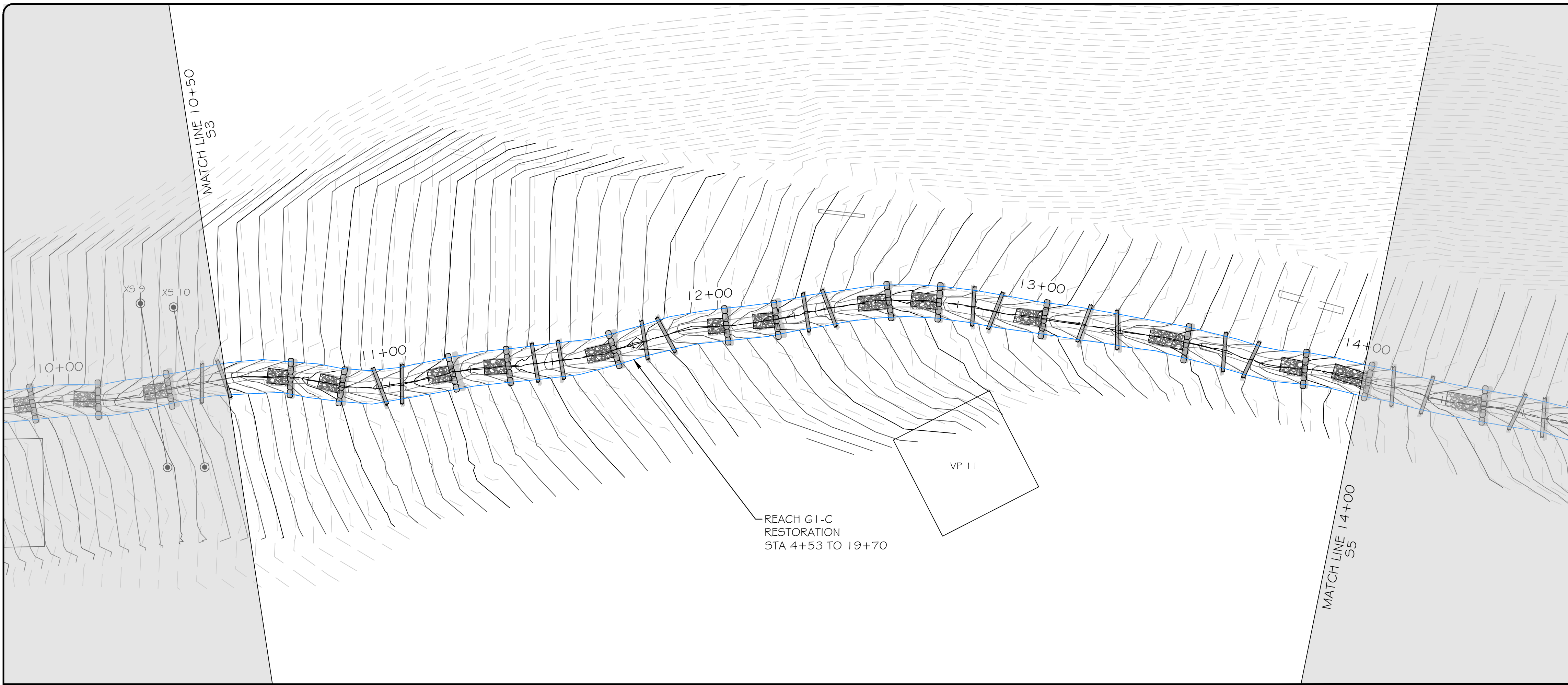
DRAWING TITLE:
REACH G1-C

PROJECT NUMBER: 100918
PROJECT MANAGER: BPB
DESIGNED: AFM
DRAWN: TRS
CHECKED: BRC

SHEET NUMBER:
S3

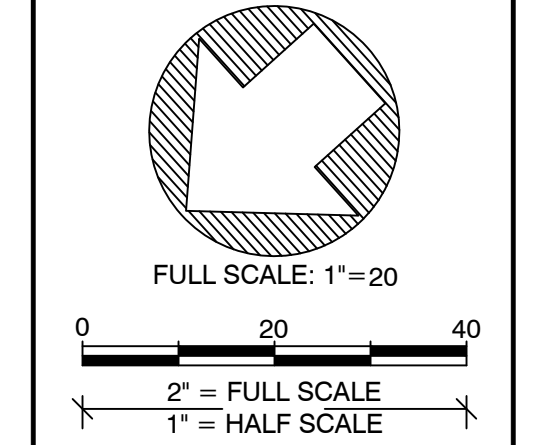
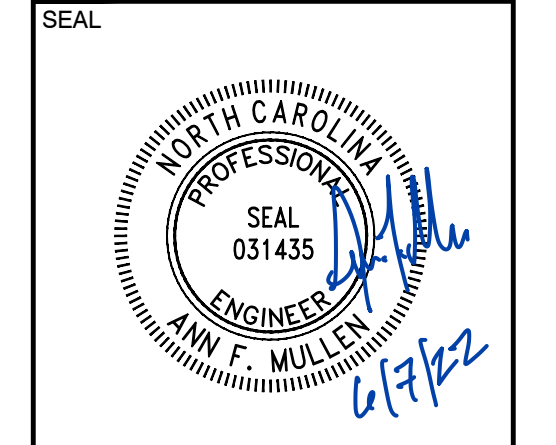


FILE NAME: F:\Rescad\Projects\100918\Monkey Wall\BRL\Record Drawings\100918_RID_DESIGN.dwg SAVED BY: Tswartzfager



res
 3600 Glenwood Ave, Suite 100
 Raleigh, NC 27612
 Main: 919.829.9909
 www.res.us

Engineering Services Provided By:
 RES Environmental Operating Company, LLC
 License: F-1428



PLOT DATE:
6/7/2022

REVISIONS:

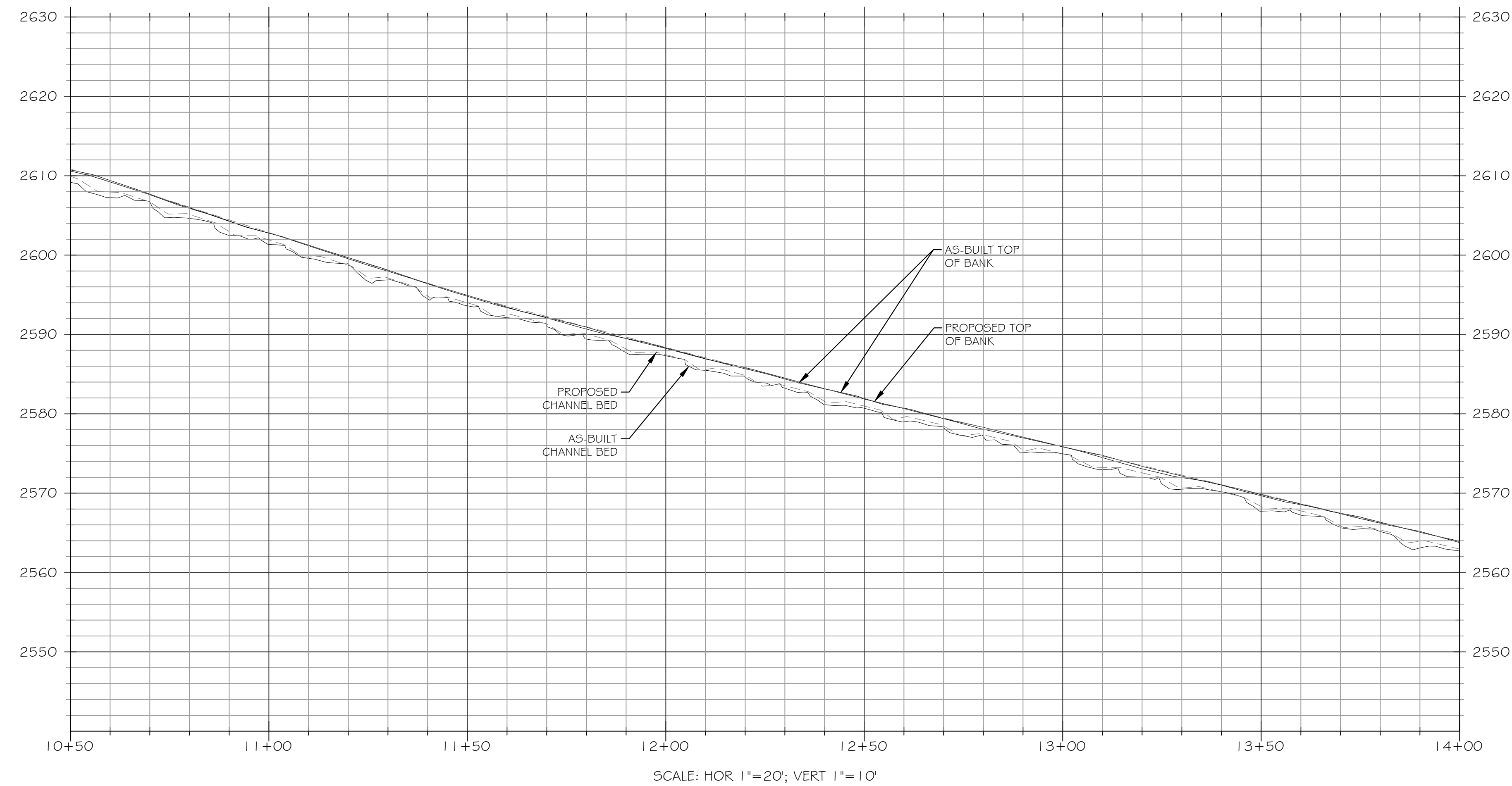
RELEASED FOR:
RECORD DRAWINGS

PROJECT NAME:
MONKEY WALL SITE RECORD DRAWINGS
MITCHELL COUNTY, NORTH CAROLINA

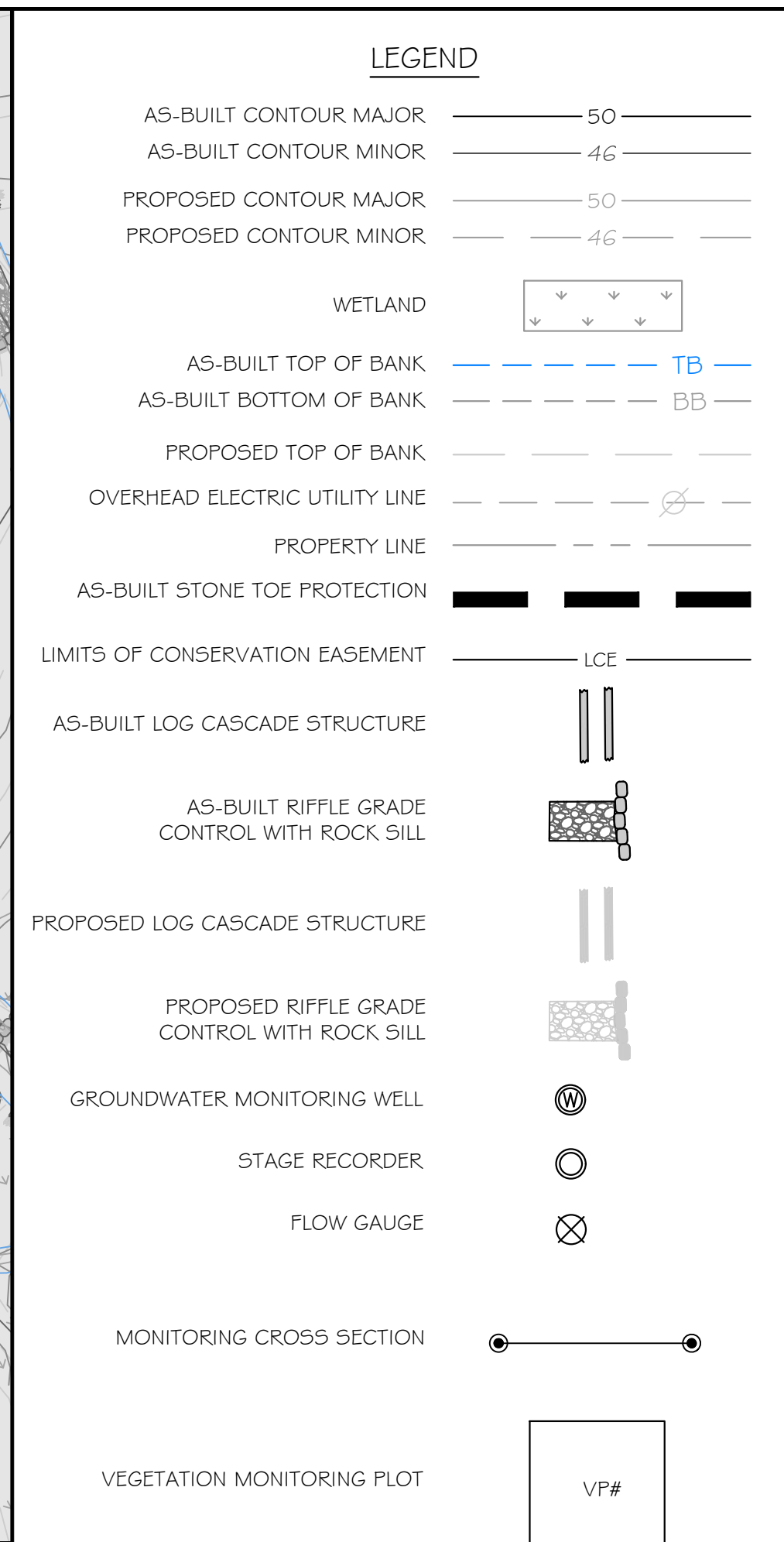
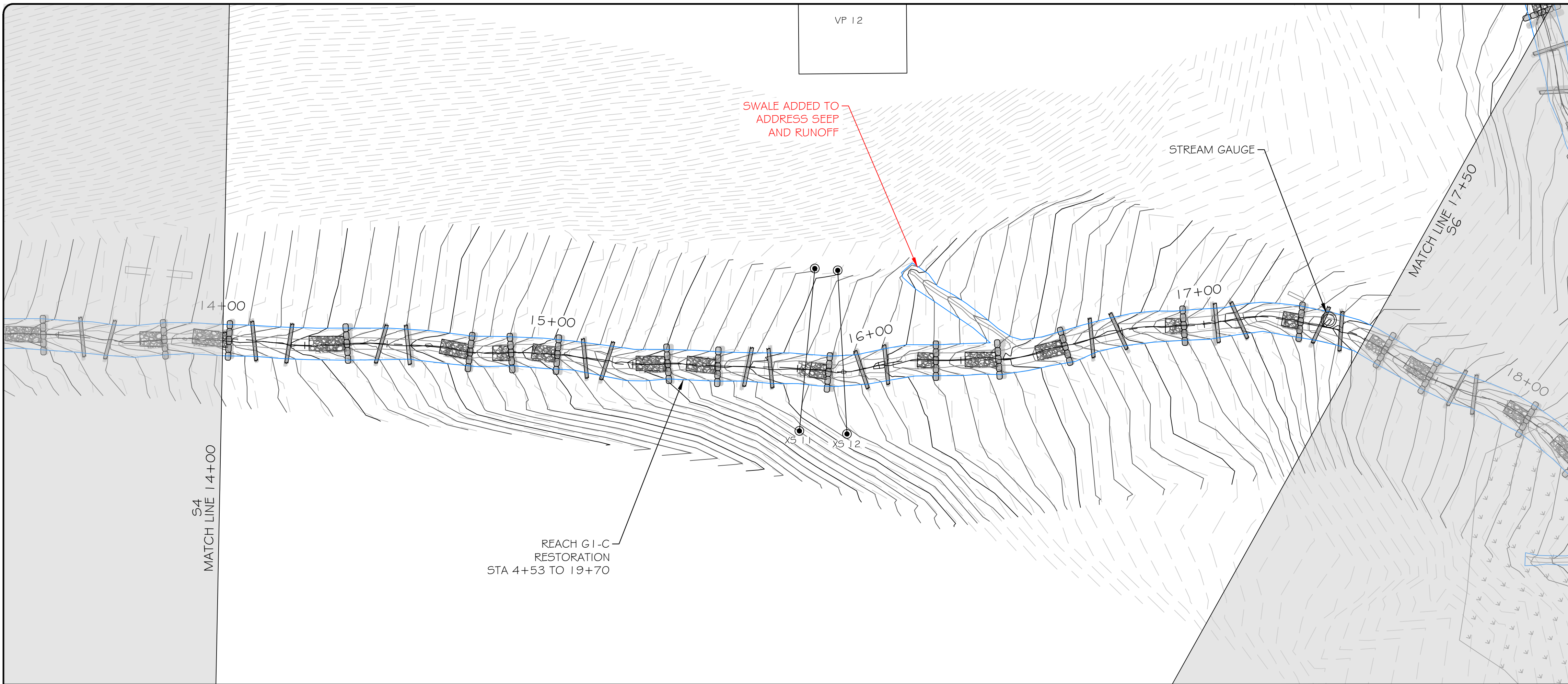
DRAWING TITLE:
REACH G1-C

PROJECT NUMBER: 100918
 PROJECT MANAGER: BPB
 DESIGNED: AFM
 DRAWN: TRS
 CHECKED: BRC

SHEET NUMBER:
S4

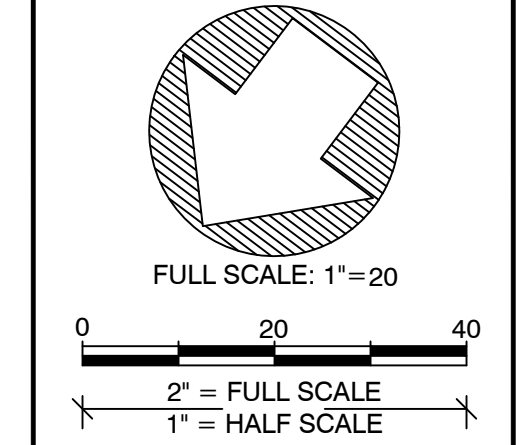
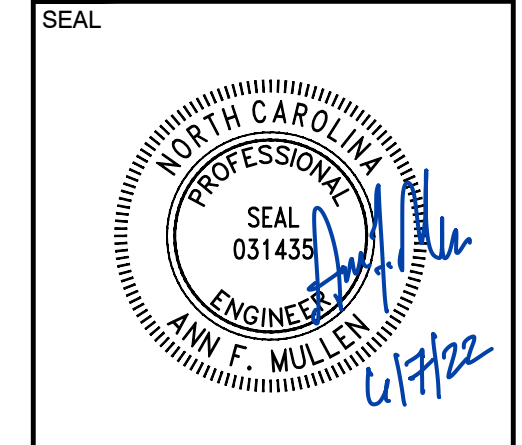


FILE NAME: F:\Rescad\Projects\100918\Monkey Wall\ABRL\Record Drawings\100918_RID_DESIGN.dwg SAVED BY: Tswartzfager



res
 3600 Glenwood Ave, Suite 100
 Raleigh, NC 27612
 Main: 919.829.9909
 www.res.us

Engineering Services Provided By:
 RES Environmental Operating Company, LLC
 License: F-1428



PLOT DATE:
6/7/2022

REVISIONS:

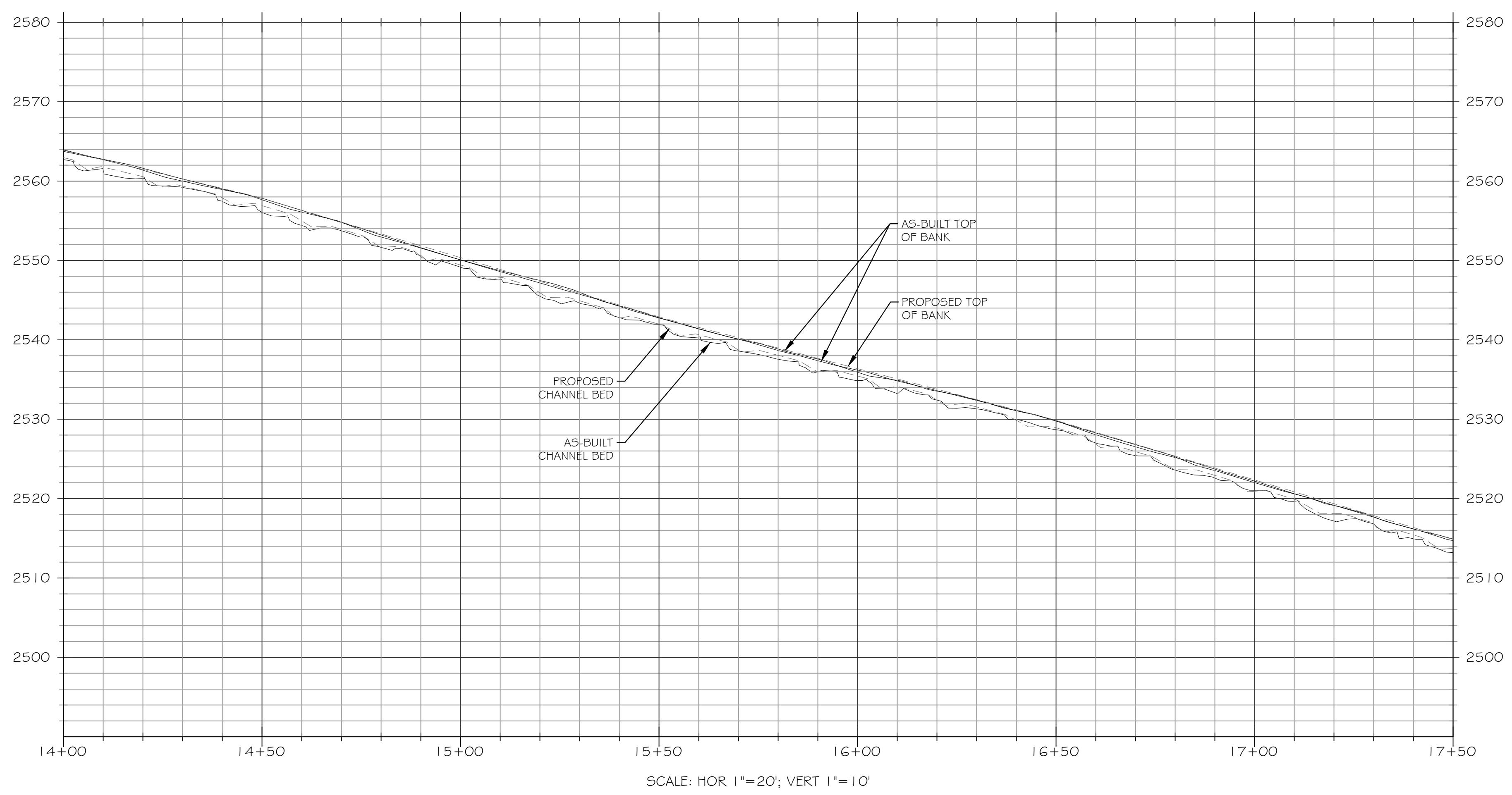
RELEASED FOR:
RECORD DRAWINGS

PROJECT NAME:
**MONKEY WALL SITE RECORD DRAWINGS
MITCHELL COUNTY, NORTH CAROLINA**

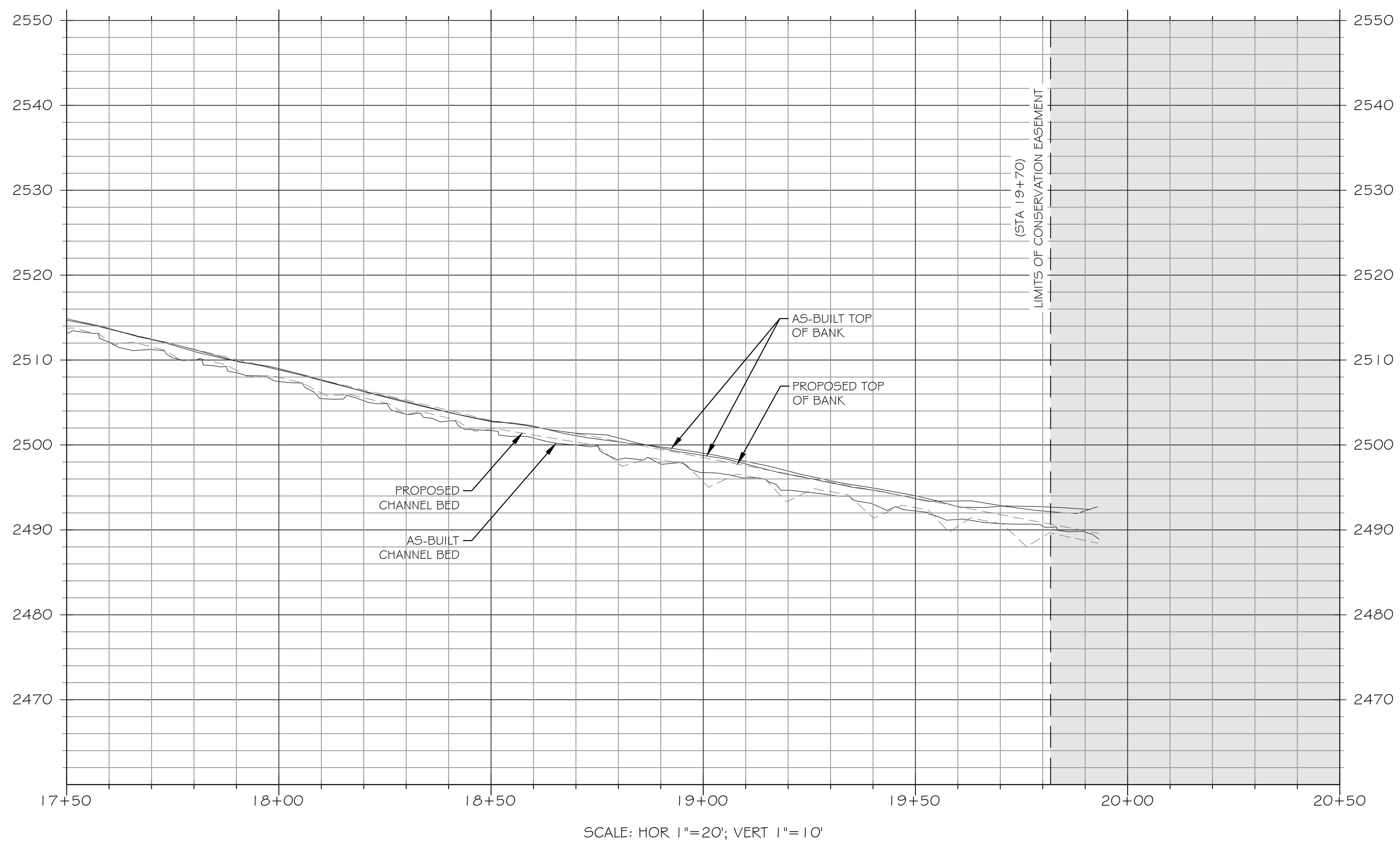
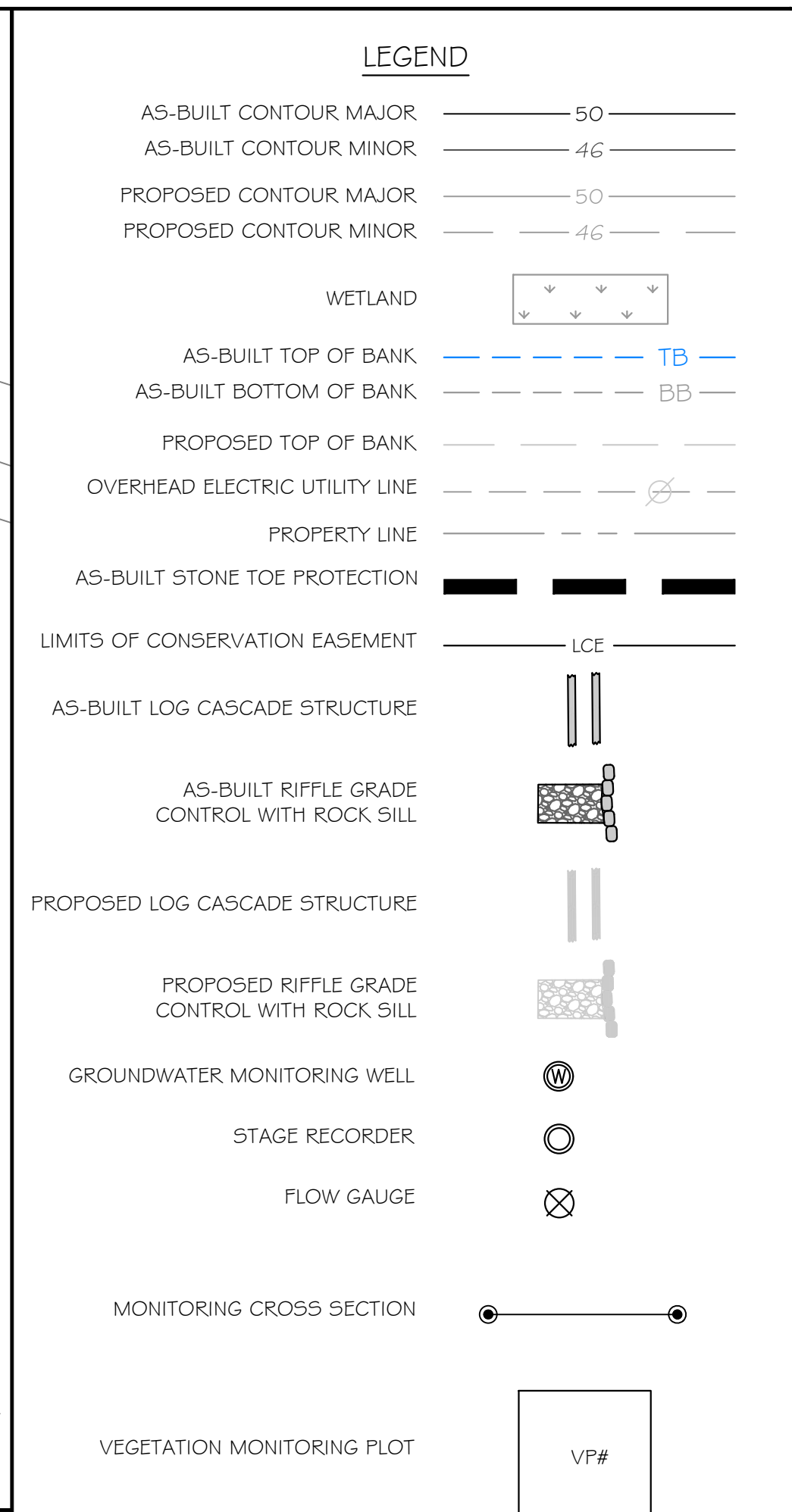
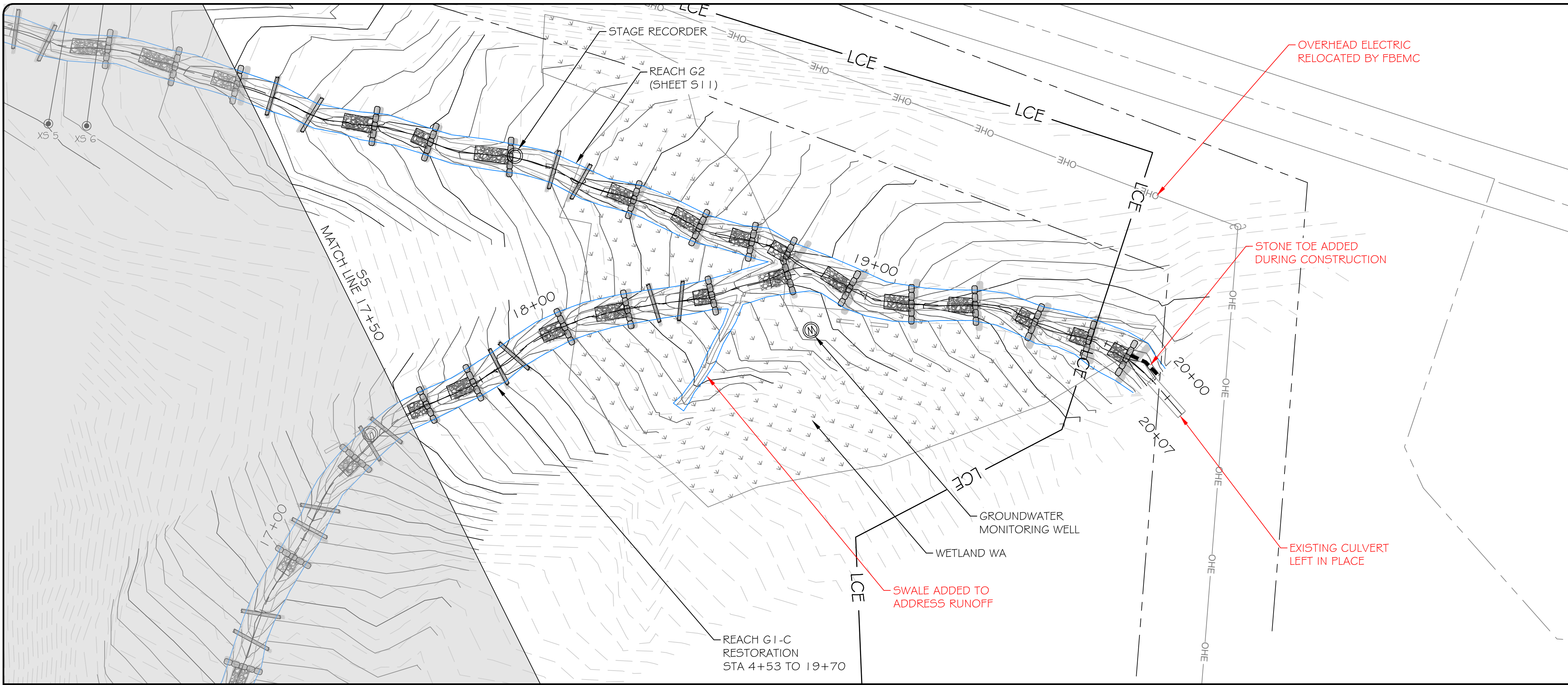
DRAWING TITLE:
REACH G1-C

PROJECT NUMBER: 100918
 PROJECT MANAGER: BPB
 DESIGNED: AFM
 DRAWN: TRS
 CHECKED: BRC

SHEET NUMBER:
S5

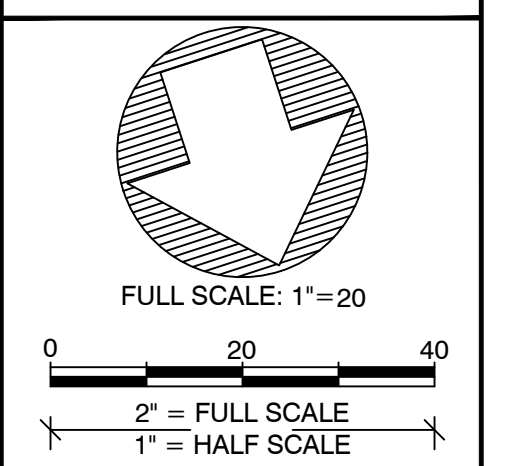
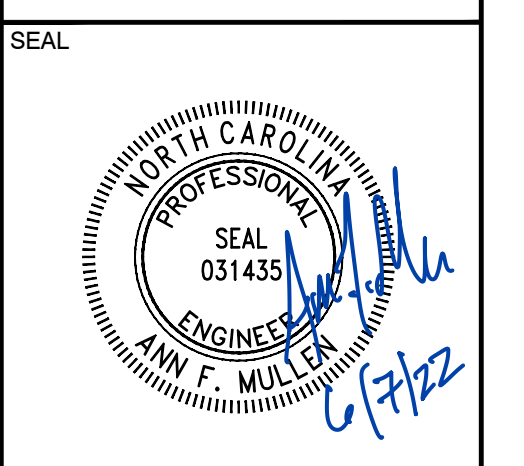


FILE NAME: F:\Rescad\Projects\100918\Monkey Wall\ABRL\Record Drawings\100918_RID_DESIGN.dwg SAVED BY: Tswartzfager



res
 3600 Glenwood Ave, Suite 100
 Raleigh, NC 27612
 Main: 919.829.9909
 www.res.us

Engineering Services Provided By:
 RES Environmental Operating Company, LLC
 License: F-1428



PLOT DATE:
6/7/2022

REVISIONS:

RELEASED FOR:
RECORD DRAWINGS

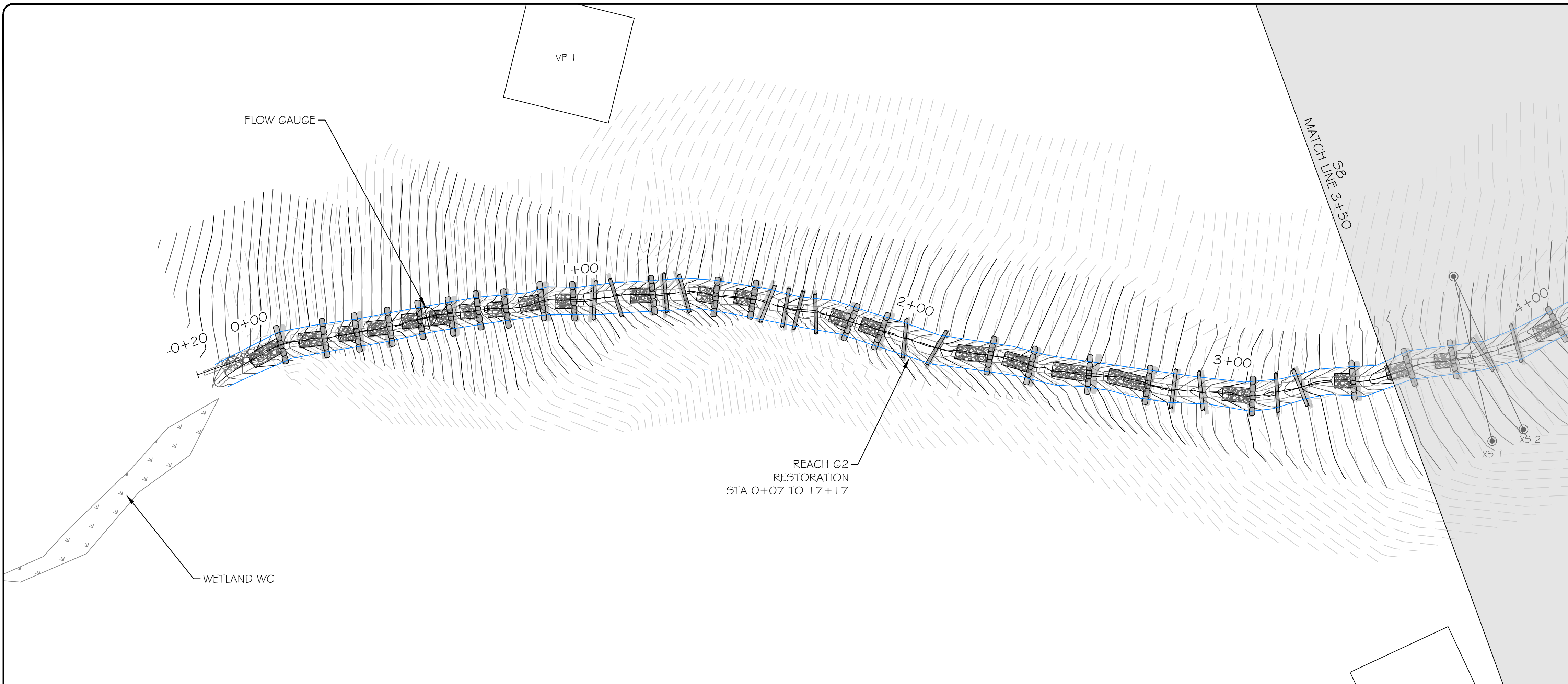
PROJECT NAME:
MONKEY WALL SITE RECORD DRAWINGS
MITCHELL COUNTY, NORTH CAROLINA

DRAWING TITLE:
REACH G1-C

PROJECT NUMBER: 100918
 PROJECT MANAGER: BPB
 DESIGNED: AFM
 DRAWN: TRS
 CHECKED: BRC

SHEET NUMBER:
S6

FILE NAME: F:\Rescad\Projects\100918-Monkey Wall\ABRL\Record Drawings\100918_RD_DESIGN.dwg SAVED BY: Tswartzfager



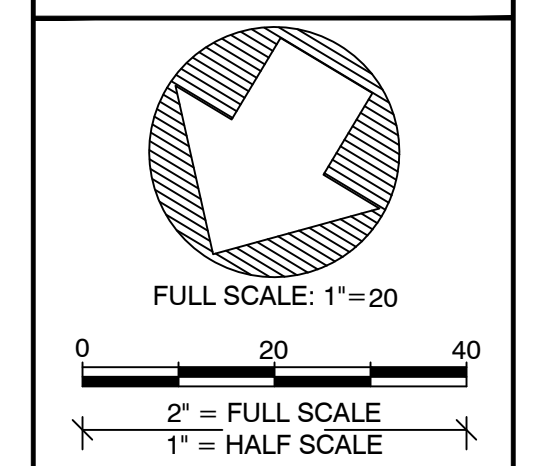
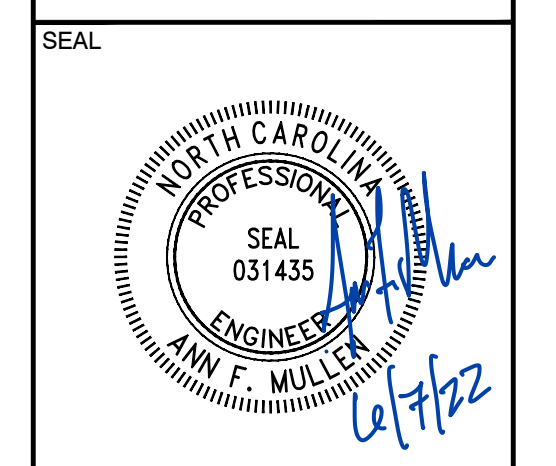
LEGEND

AS-BUILT CONTOUR MAJOR	50
AS-BUILT CONTOUR MINOR	46
PROPOSED CONTOUR MAJOR	50
PROPOSED CONTOUR MINOR	46
WETLAND	
AS-BUILT TOP OF BANK	— TB —
AS-BUILT BOTTOM OF BANK	— BB —
PROPOSED TOP OF BANK	—
OVERHEAD ELECTRIC UTILITY LINE	
PROPERTY LINE	—
AS-BUILT STONE TOE PROTECTION	
LIMITS OF CONSERVATION EASEMENT	— LCE —
AS-BUILT LOG CASCADE STRUCTURE	
AS-BUILT RIFFLE GRADE CONTROL WITH ROCK SILL	
PROPOSED LOG CASCADE STRUCTURE	
PROPOSED RIFFLE GRADE CONTROL WITH ROCK SILL	
GROUNDWATER MONITORING WELL	
STAGE RECORDER	
FLOW GAUGE	
MONITORING CROSS SECTION	
VEGETATION MONITORING PLOT	

res

3600 Glenwood Ave, Suite 100
Raleigh, NC 27612
Main: 919.829.9909
www.res.us

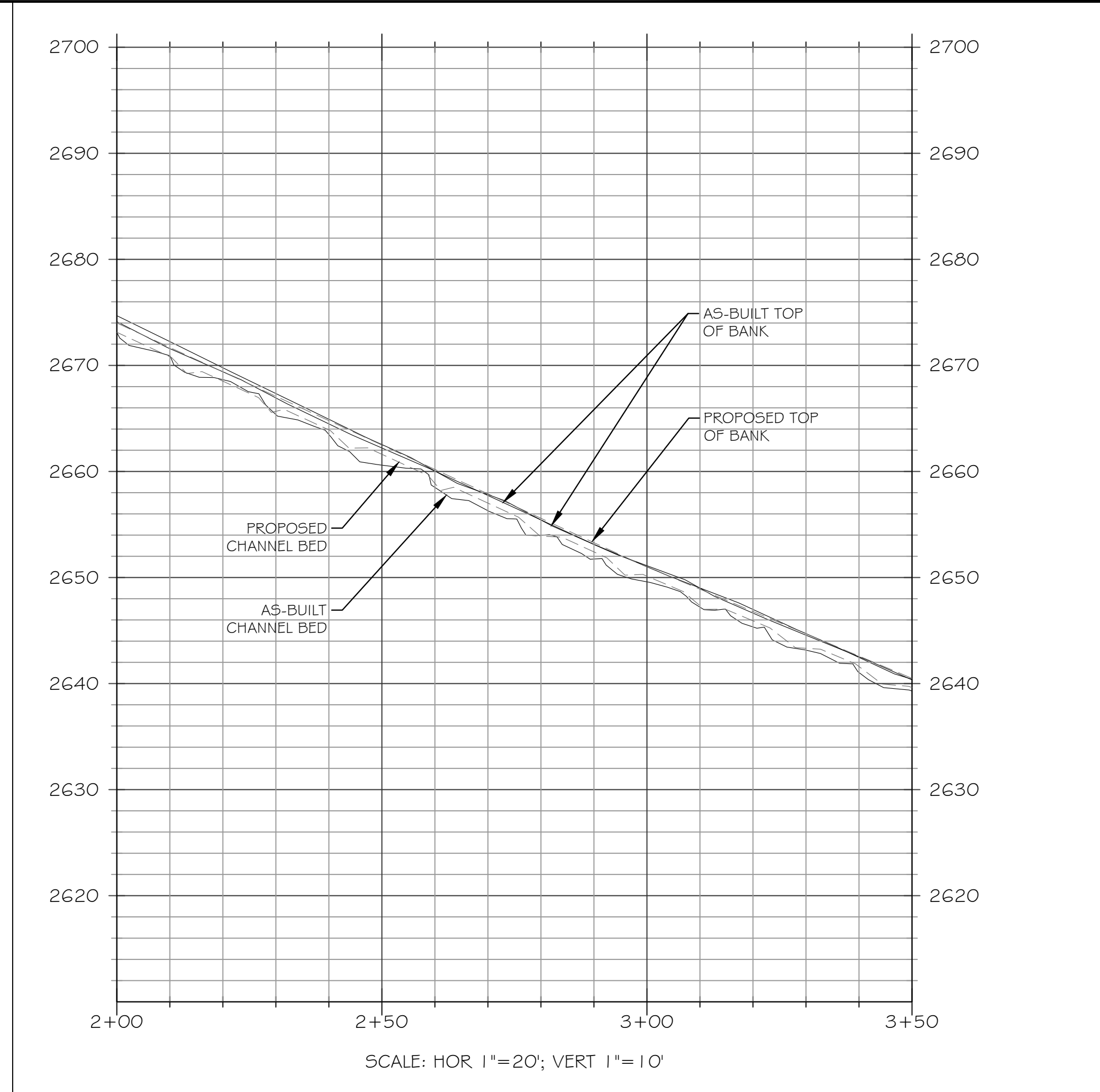
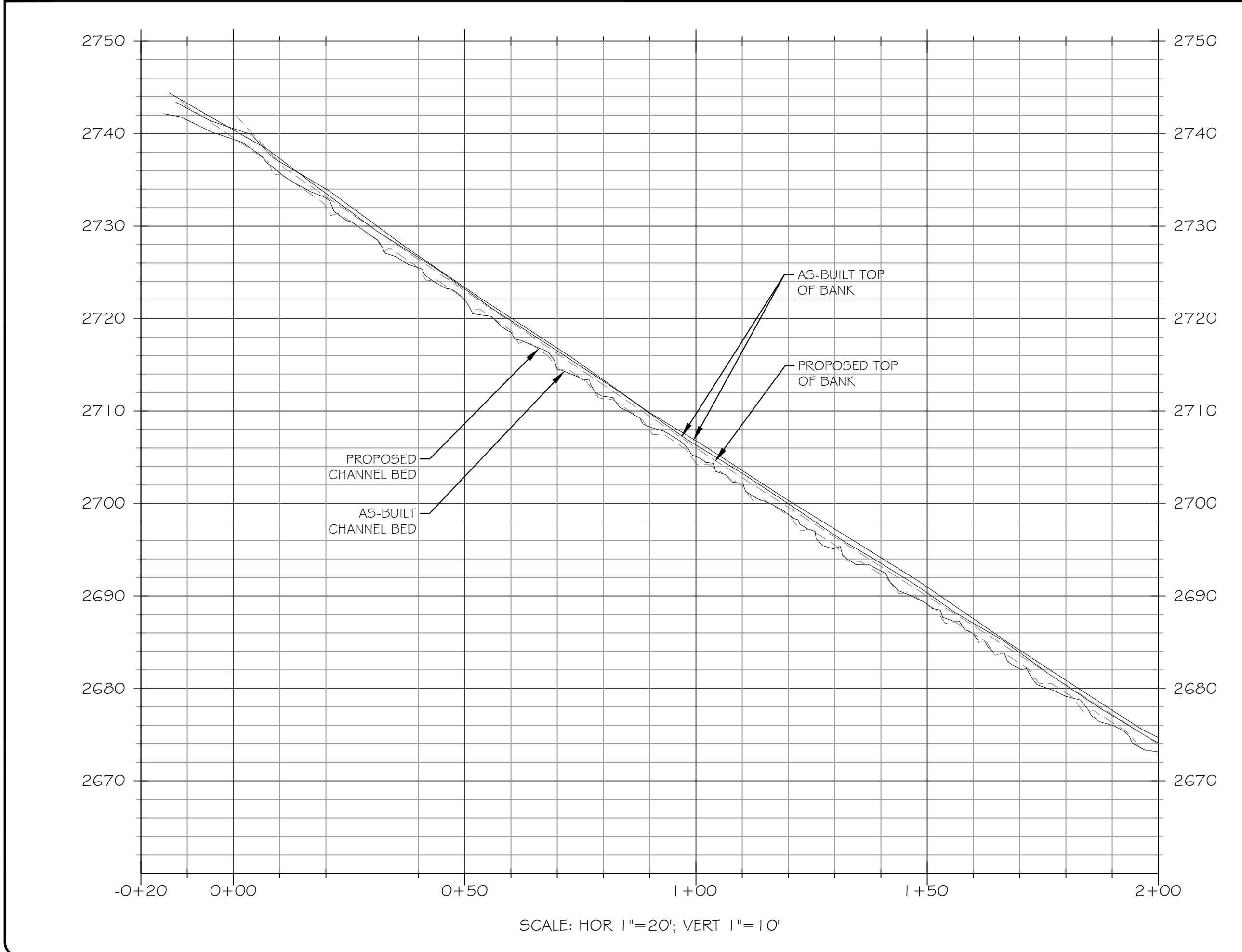
Engineering Services Provided By:
RES Environmental Operating Company, LLC
License: F-1428



PLOT DATE:
6/7/2022

REVISIONS:

RELEASED FOR:
RECORD DRAWINGS



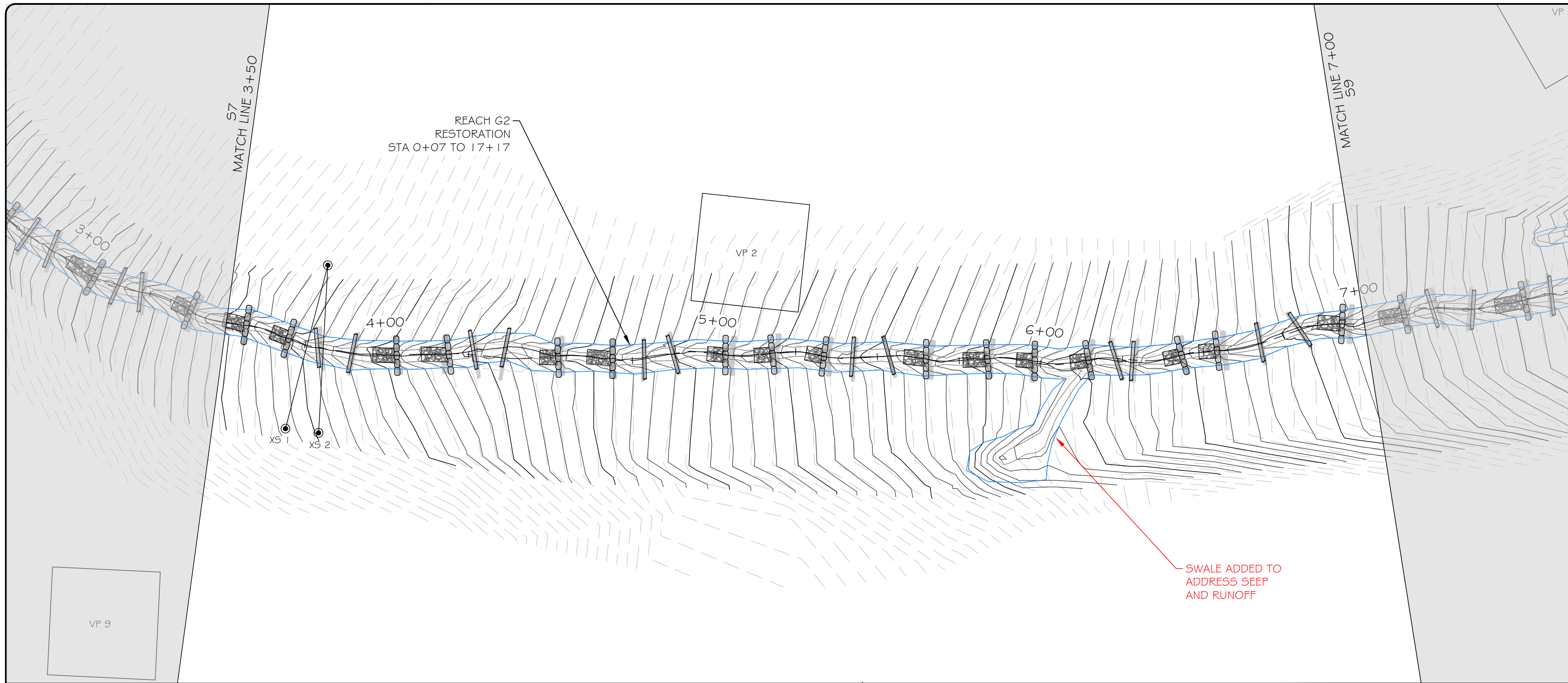
PROJECT NAME:
**MONKEY WALL SITE RECORD DRAWINGS
MITCHELL COUNTY, NORTH CAROLINA**

DRAWING TITLE:
REACH G2

PROJECT NUMBER: 100918
PROJECT MANAGER: BPB
DESIGNED: AFM
DRAWN: TRS
CHECKED: BRC

SHEET NUMBER:
S7

FILE NAME: F:\Rescad\Projects\100918-Monkey Wall\ABRL\Record Drawings\100918_RID_DESIGN.dwg SAVED BY: Tswartzlager



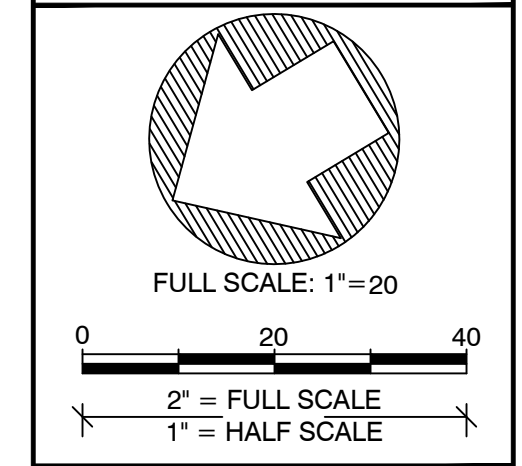
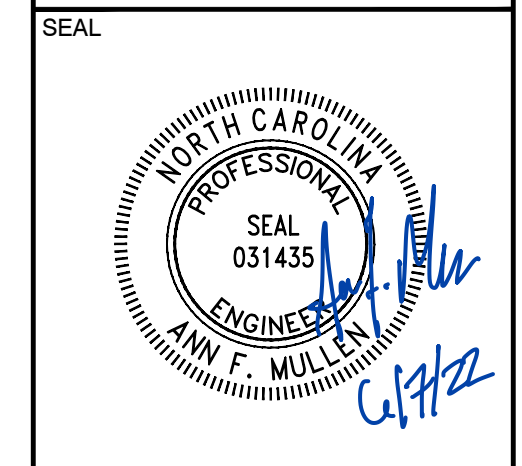
LEGEND

AS-BUILT CONTOUR MAJOR	50
AS-BUILT CONTOUR MINOR	46
PROPOSED CONTOUR MAJOR	50
PROPOSED CONTOUR MINOR	46
WETLAND	[Symbol]
AS-BUILT TOP OF BANK	TB
AS-BUILT BOTTOM OF BANK	BB
PROPOSED TOP OF BANK	[Symbol]
OVERHEAD ELECTRIC UTILITY LINE	[Symbol]
PROPERTY LINE	[Symbol]
AS-BUILT STONE TOE PROTECTION	[Symbol]
LIMITS OF CONSERVATION EASEMENT	LCE
AS-BUILT LOG CASCADE STRUCTURE	[Symbol]
AS-BUILT RIFFLE GRADE CONTROL WITH ROCK SILL	[Symbol]
PROPOSED LOG CASCADE STRUCTURE	[Symbol]
PROPOSED RIFFLE GRADE CONTROL WITH ROCK SILL	[Symbol]
GROUNDWATER MONITORING WELL	[Symbol]
STAGE RECORDER	[Symbol]
FLOW GAUGE	[Symbol]
MONITORING CROSS SECTION	[Symbol]
VEGETATION MONITORING PLOT	VP#

res

3600 Glenwood Ave, Suite 100
Raleigh, NC 27612
Main: 919.829.9909
www.res.us

Engineering Services Provided By:
RES Environmental Operating Company, LLC
License: F-1428



PLOT DATE:
6/7/2022

REVISIONS:

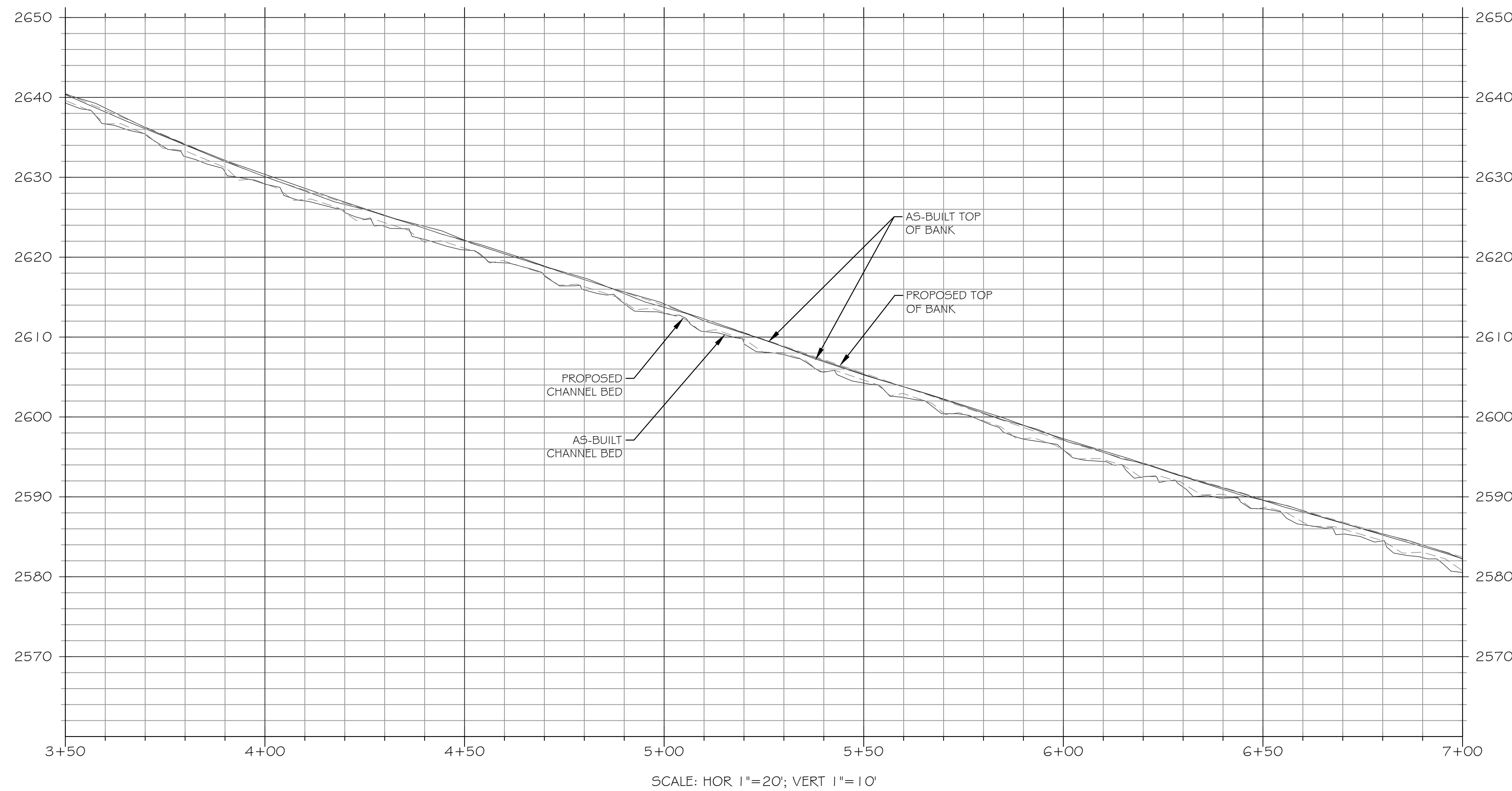
RELEASED FOR:
RECORD DRAWINGS

PROJECT NAME:
**MONKEY WALL SITE RECORD DRAWINGS
MITCHELL COUNTY, NORTH CAROLINA**

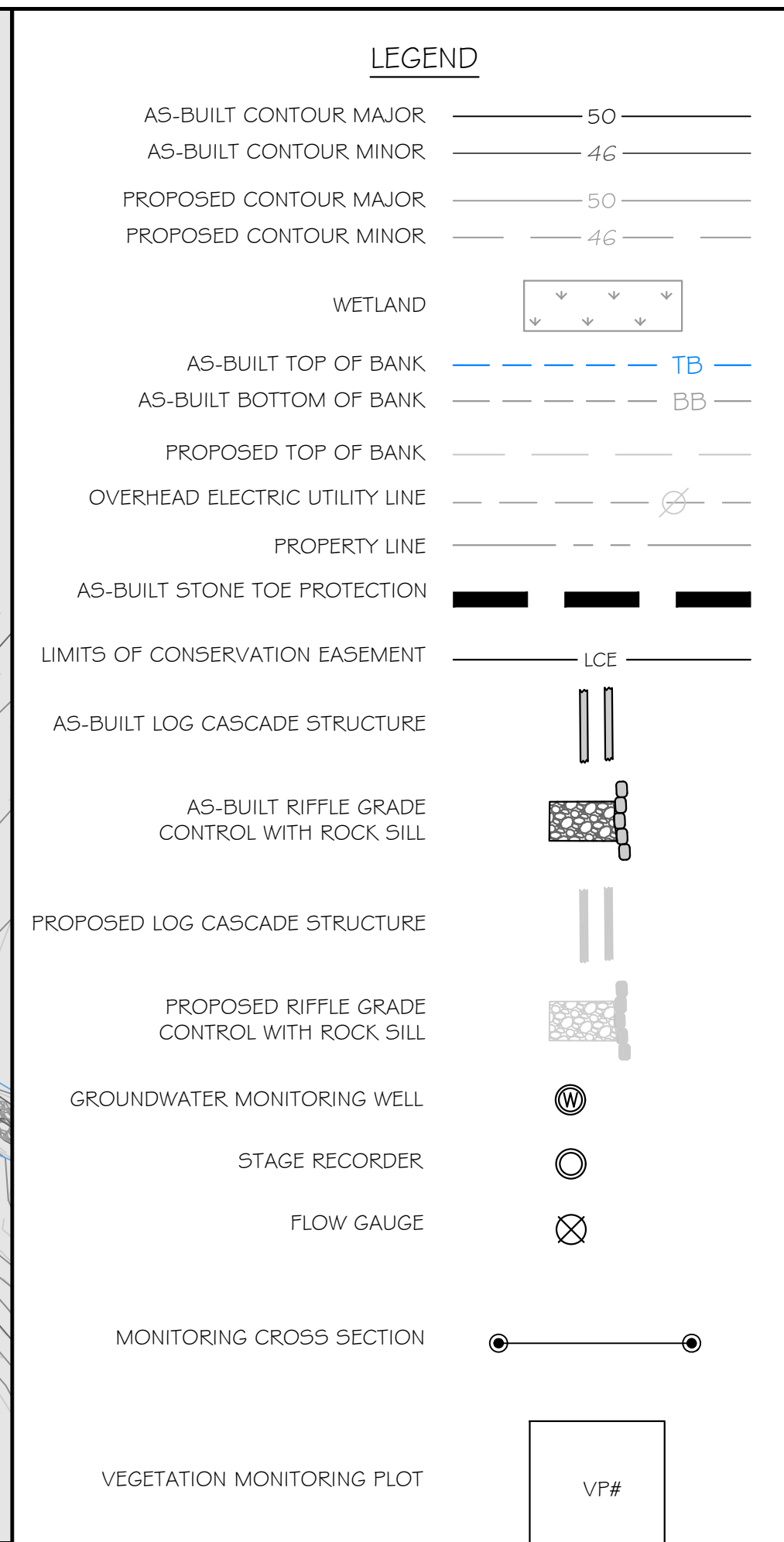
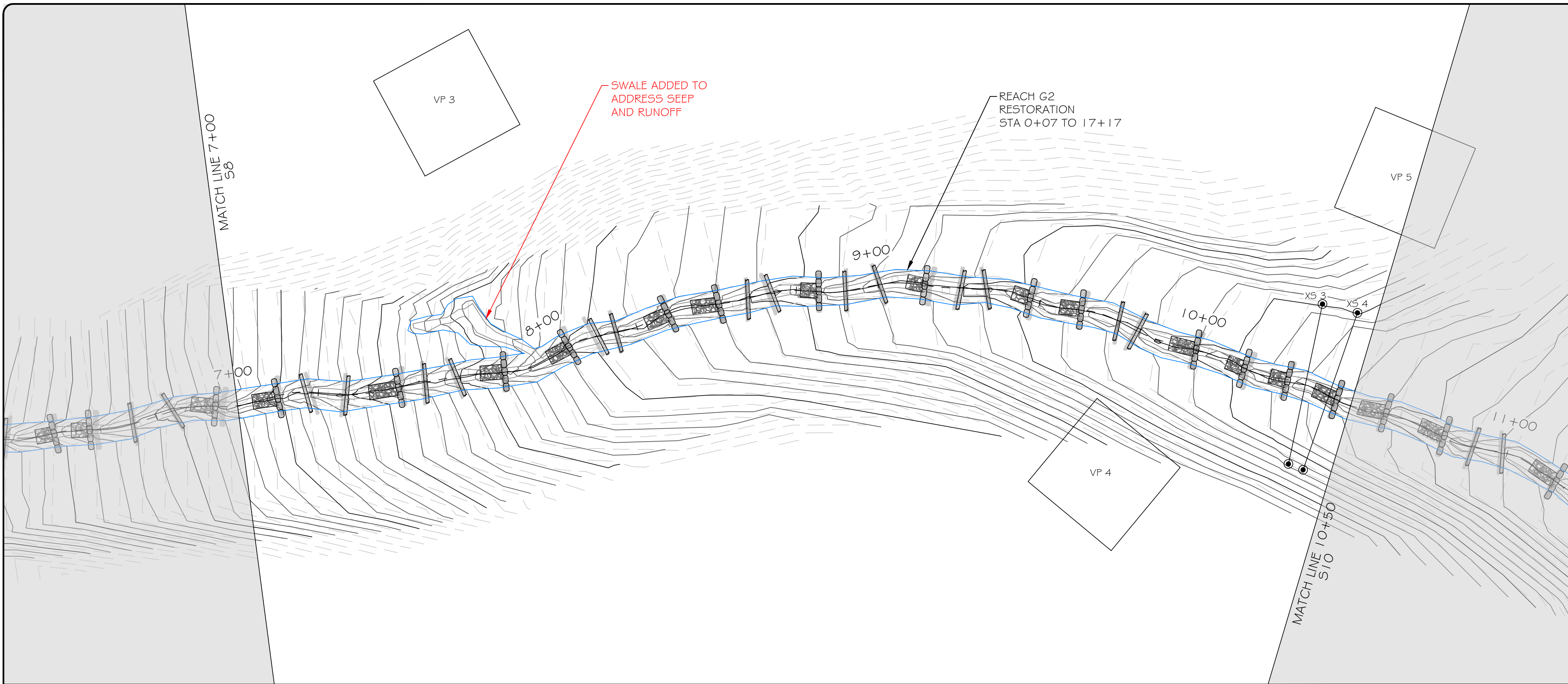
DRAWING TITLE:
REACH G2

PROJECT NUMBER: 100918
PROJECT MANAGER: BPB
DESIGNED: AFM
DRAWN: TRS
CHECKED: BRC

SHEET NUMBER:
S8



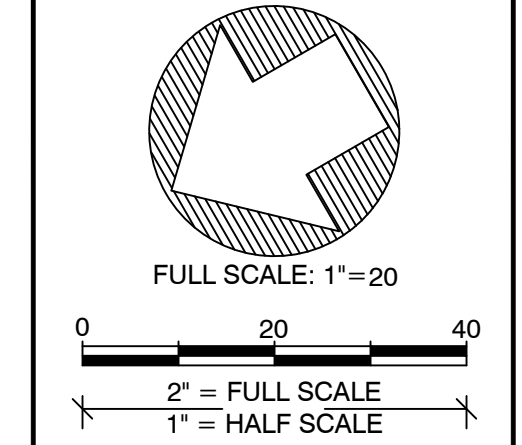
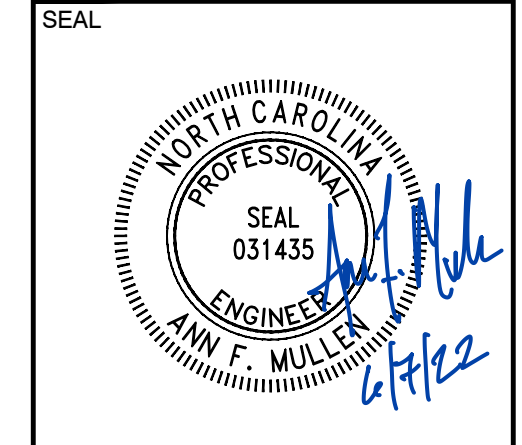
FILE NAME: F:\Rescad\Projects\100918\Monkey Wall\ABRL\Record Drawings\100918_RID_DESIGN.dwg SAVED BY: Tswartzfager



res

3600 Glenwood Ave, Suite 100
Raleigh, NC 27612
Main: 919.829.9909
www.res.us

Engineering Services Provided By:
RES Environmental Operating Company, LLC
License: F-1428



PLOT DATE:
6/7/2022

REVISIONS:

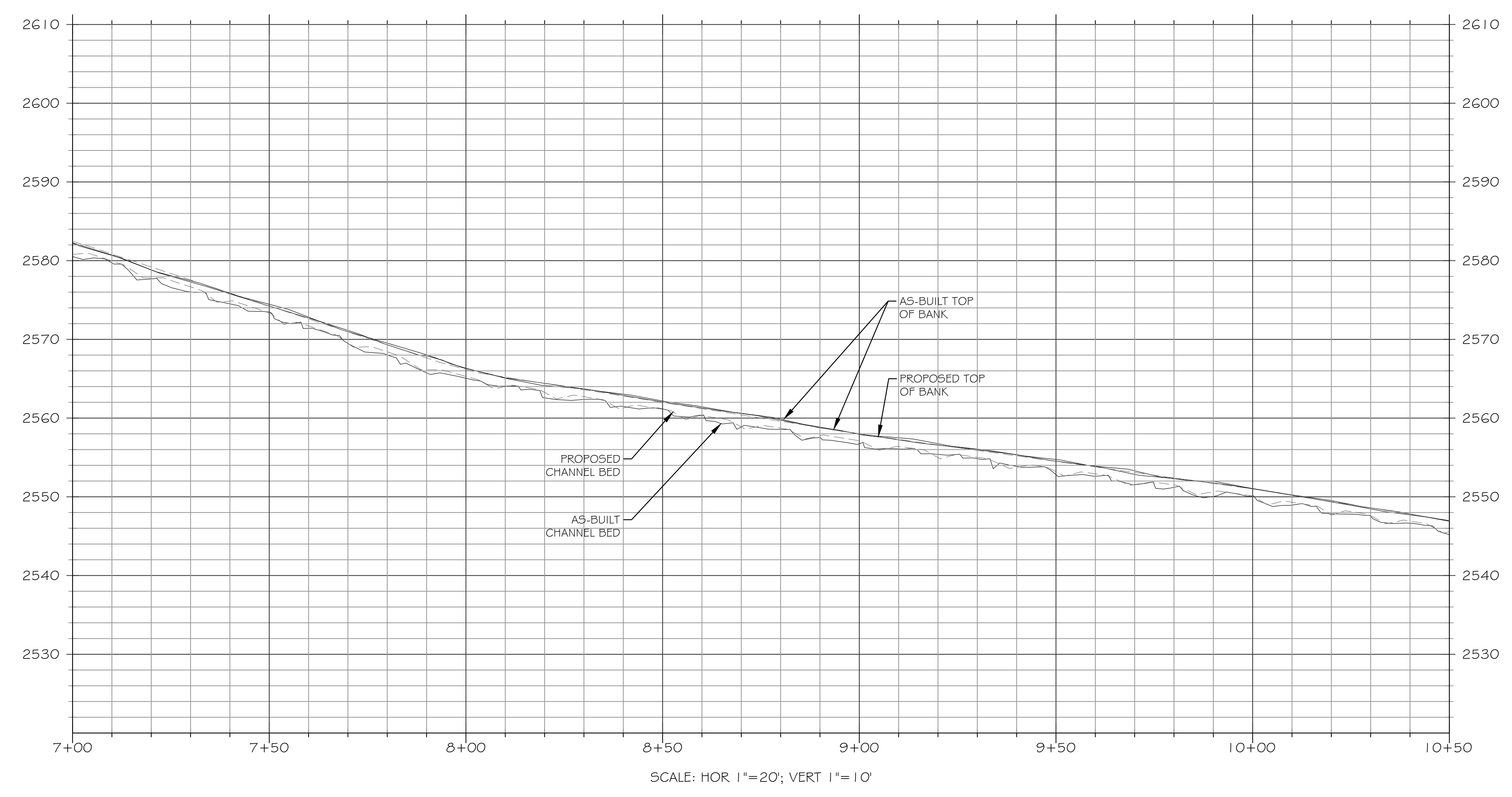
RELEASED FOR:
RECORD DRAWINGS

PROJECT NAME:
MONKEY WALL SITE RECORD DRAWINGS
MITCHELL COUNTY, NORTH CAROLINA

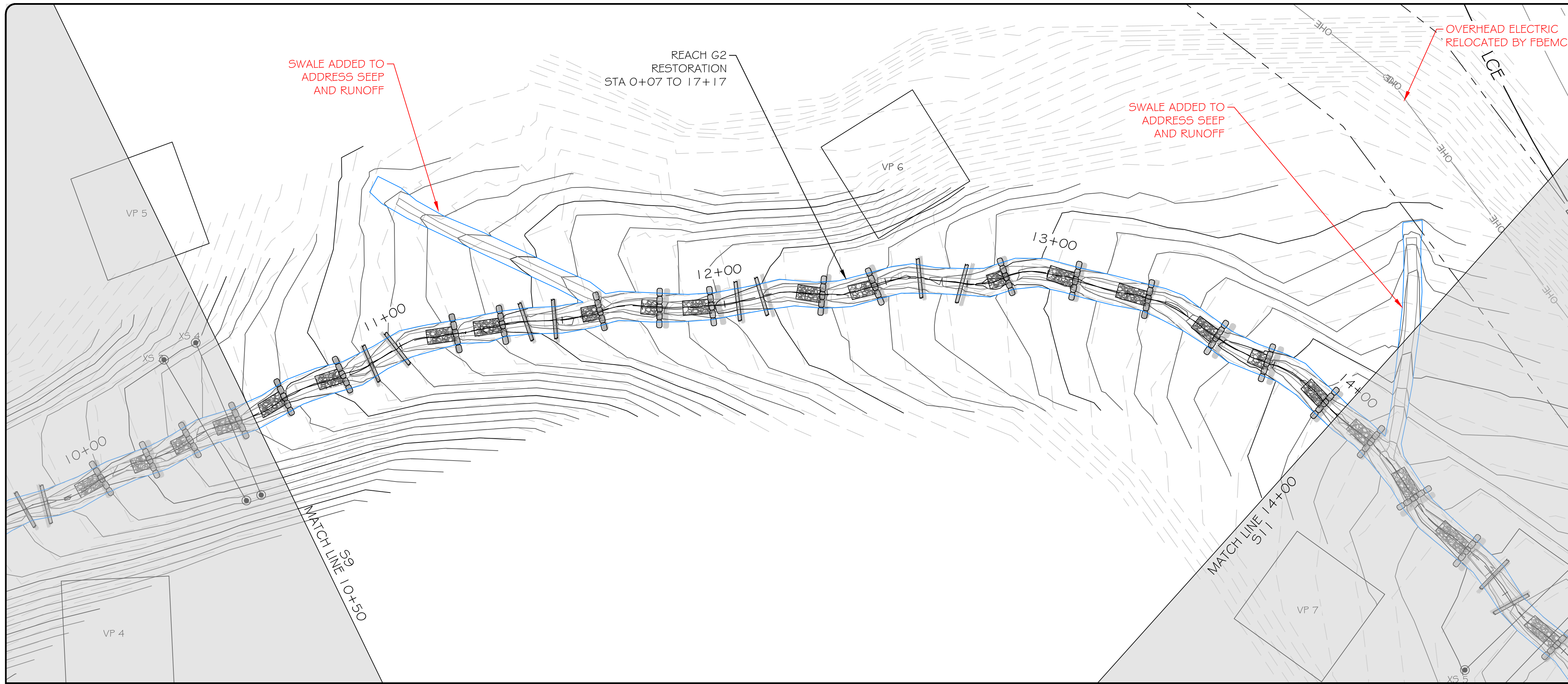
DRAWING TITLE:
REACH G2

PROJECT NUMBER: 100918
PROJECT MANAGER: BPB
DESIGNED: AFM
DRAWN: TRS
CHECKED: BRC

SHEET NUMBER:
S9



FILE NAME: F:\Rescad\Projects\100918\Monkey Wall\ABRL\Record Drawings\100918_RID_DESIGN.dwg SAVED BY: Tswartzfager



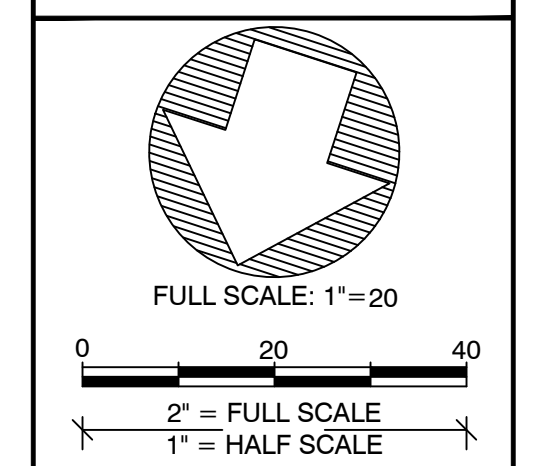
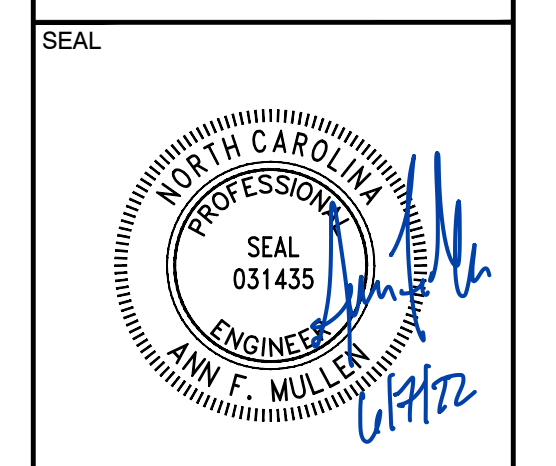
LEGEND

AS-BUILT CONTOUR MAJOR	50
AS-BUILT CONTOUR MINOR	46
PROPOSED CONTOUR MAJOR	50
PROPOSED CONTOUR MINOR	46
WETLAND	[Symbol]
AS-BUILT TOP OF BANK	TB
AS-BUILT BOTTOM OF BANK	BB
PROPOSED TOP OF BANK	[Symbol]
OVERHEAD ELECTRIC UTILITY LINE	[Symbol]
PROPERTY LINE	[Symbol]
AS-BUILT STONE TOE PROTECTION	[Symbol]
LIMITS OF CONSERVATION EASEMENT	LCE
AS-BUILT LOG CASCADE STRUCTURE	[Symbol]
AS-BUILT RIFFLE GRADE CONTROL WITH ROCK SILL	[Symbol]
PROPOSED LOG CASCADE STRUCTURE	[Symbol]
PROPOSED RIFFLE GRADE CONTROL WITH ROCK SILL	[Symbol]
GROUNDWATER MONITORING WELL	W
STAGE RECORDER	○
FLOW GAUGE	⊗
MONITORING CROSS SECTION	[Symbol]
VEGETATION MONITORING PLOT	VP#

res

3600 Glenwood Ave, Suite 100
Raleigh, NC 27612
Main: 919.829.9909
www.res.us

Engineering Services Provided By:
RES Environmental Operating Company, LLC
License: F-1428



PLOT DATE:
6/7/2022

REVISIONS:

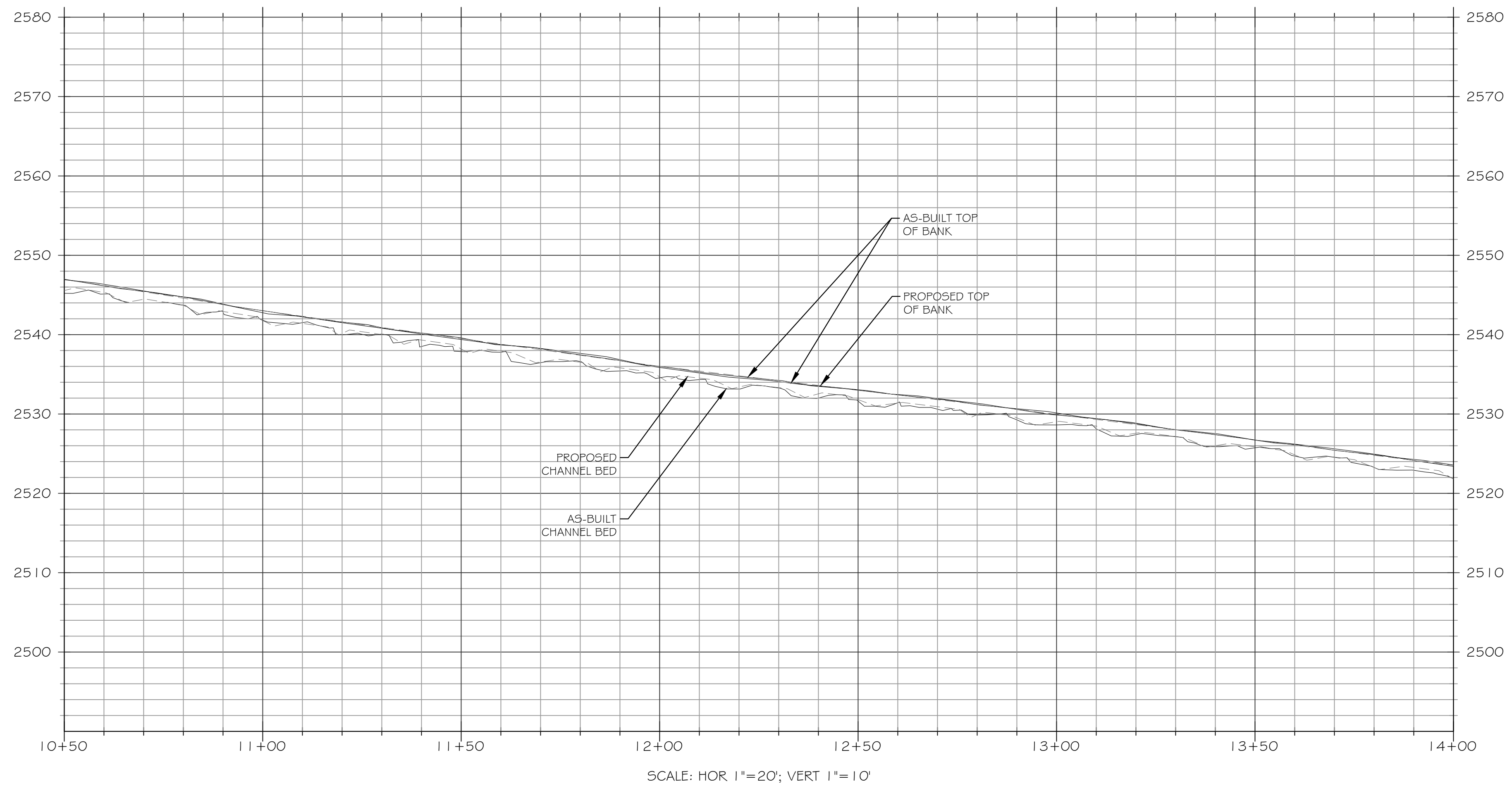
RELEASED FOR:
RECORD DRAWINGS

PROJECT NAME:
**MONKEY WALL SITE RECORD DRAWINGS
MITCHELL COUNTY, NORTH CAROLINA**

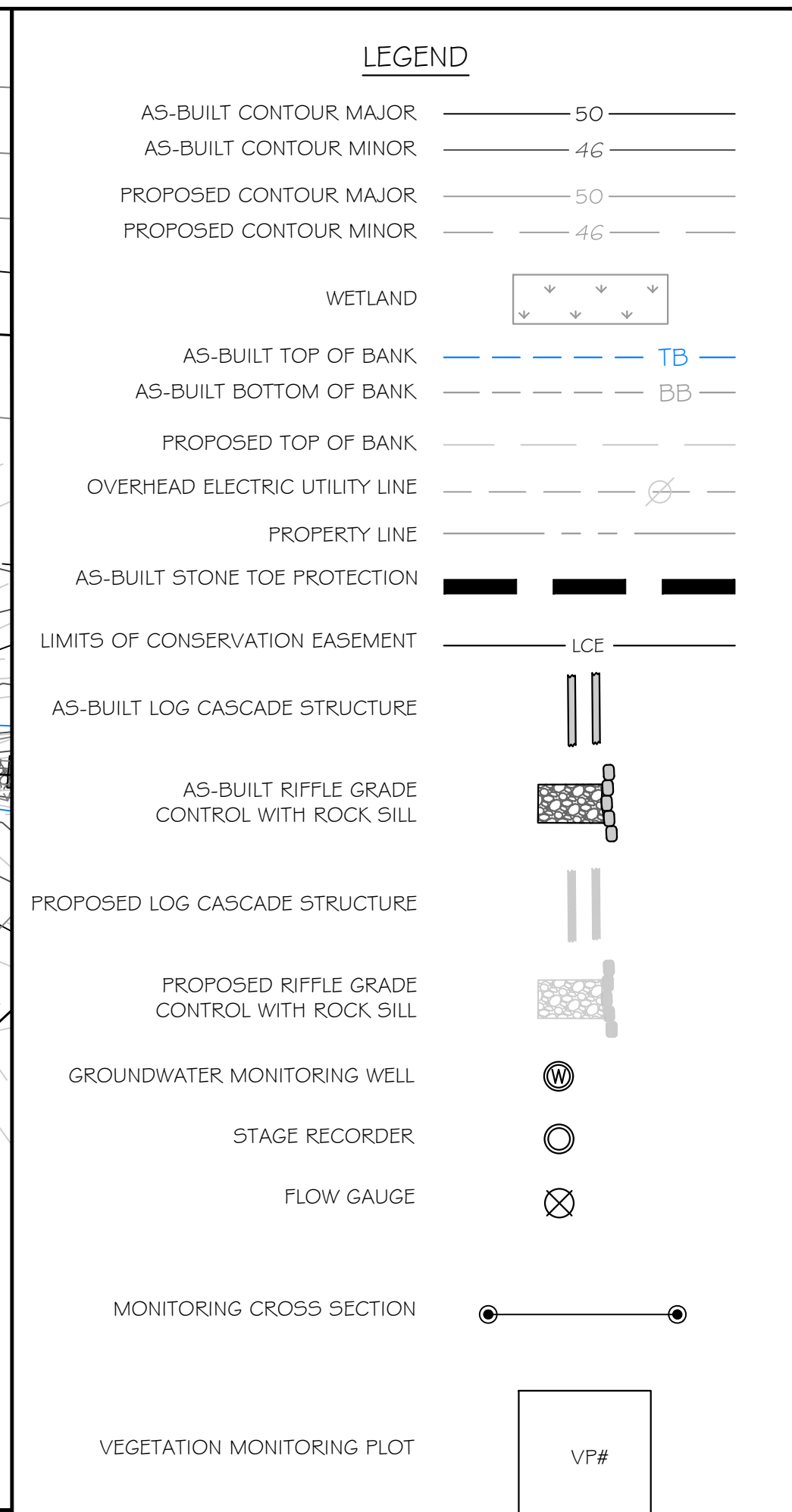
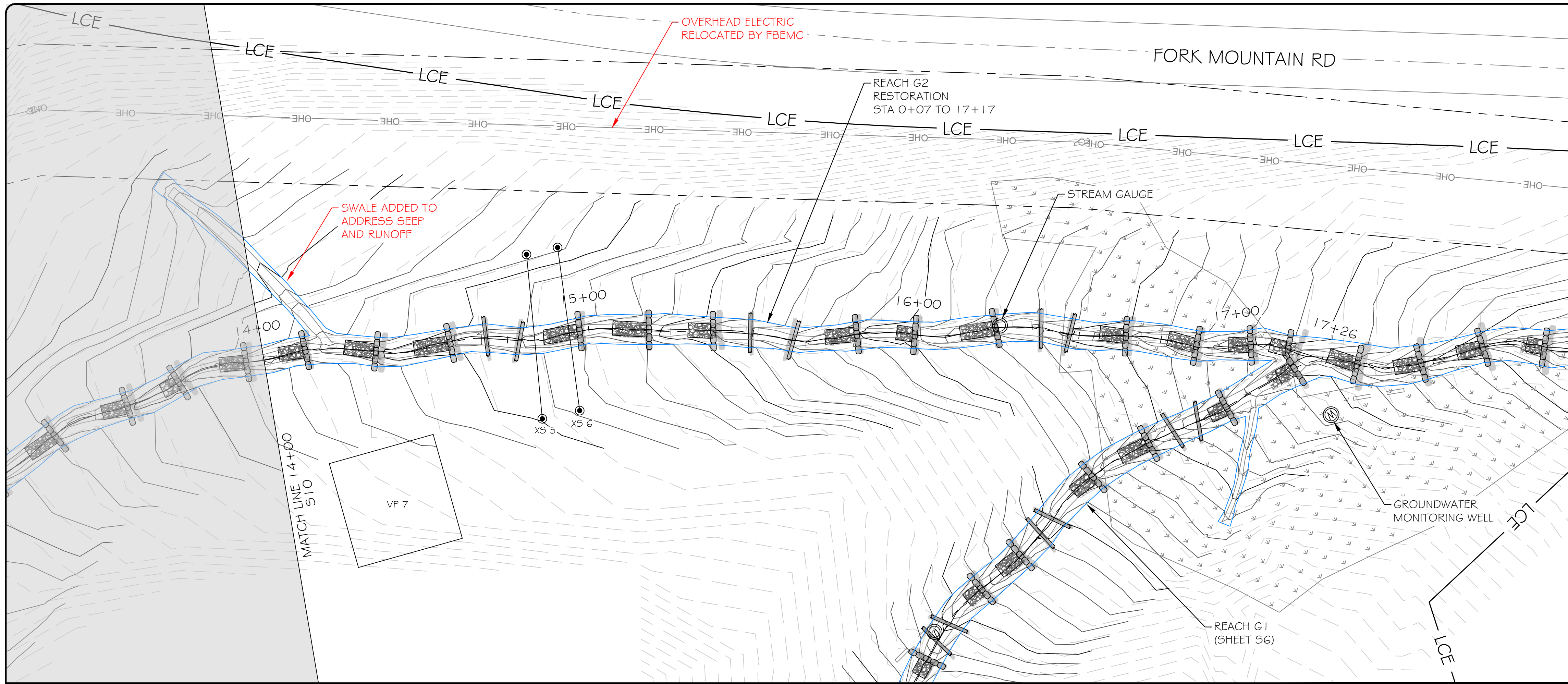
DRAWING TITLE:
REACH G2

PROJECT NUMBER: 100918
PROJECT MANAGER: BPB
DESIGNED: AFM
DRAWN: TRS
CHECKED: BRC

SHEET NUMBER:
S10

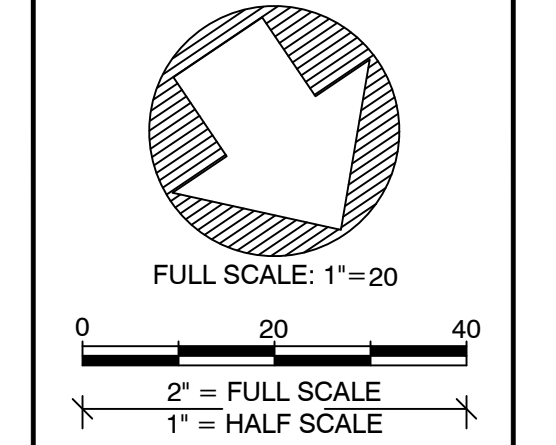
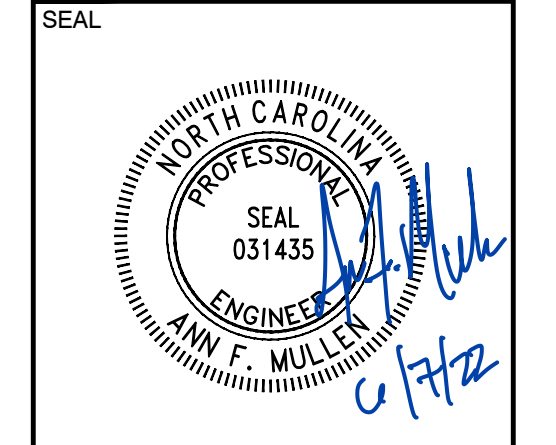


FILE NAME: F:\Rescad\Projects\100918\Monkey Wall\ABRL\Record Drawings\100918_RID_DESIGN.dwg SAVED BY: Tswartzfager



res
 3600 Glenwood Ave, Suite 100
 Raleigh, NC 27612
 Main: 919.829.9909
 www.res.us

Engineering Services Provided By:
 RES Environmental Operating Company, LLC
 License: F-1428



PLOT DATE:
 6/7/2022

REVISIONS:

RELEASED FOR:
 RECORD DRAWINGS

PROJECT NAME:
MONKEY WALL SITE RECORD DRAWINGS
MITCHELL COUNTY, NORTH CAROLINA

DRAWING TITLE:
REACH G2

PROJECT NUMBER: 100918
 PROJECT MANAGER: BPB
 DESIGNED: AFM
 DRAWN: TRS
 CHECKED: BRC

SHEET NUMBER:
S11

