

NC Ecosystem Enhancement Program

Puzzle Creek Restoration Project

Bostic, North Carolina

RECEIVED

FEB 23 2011

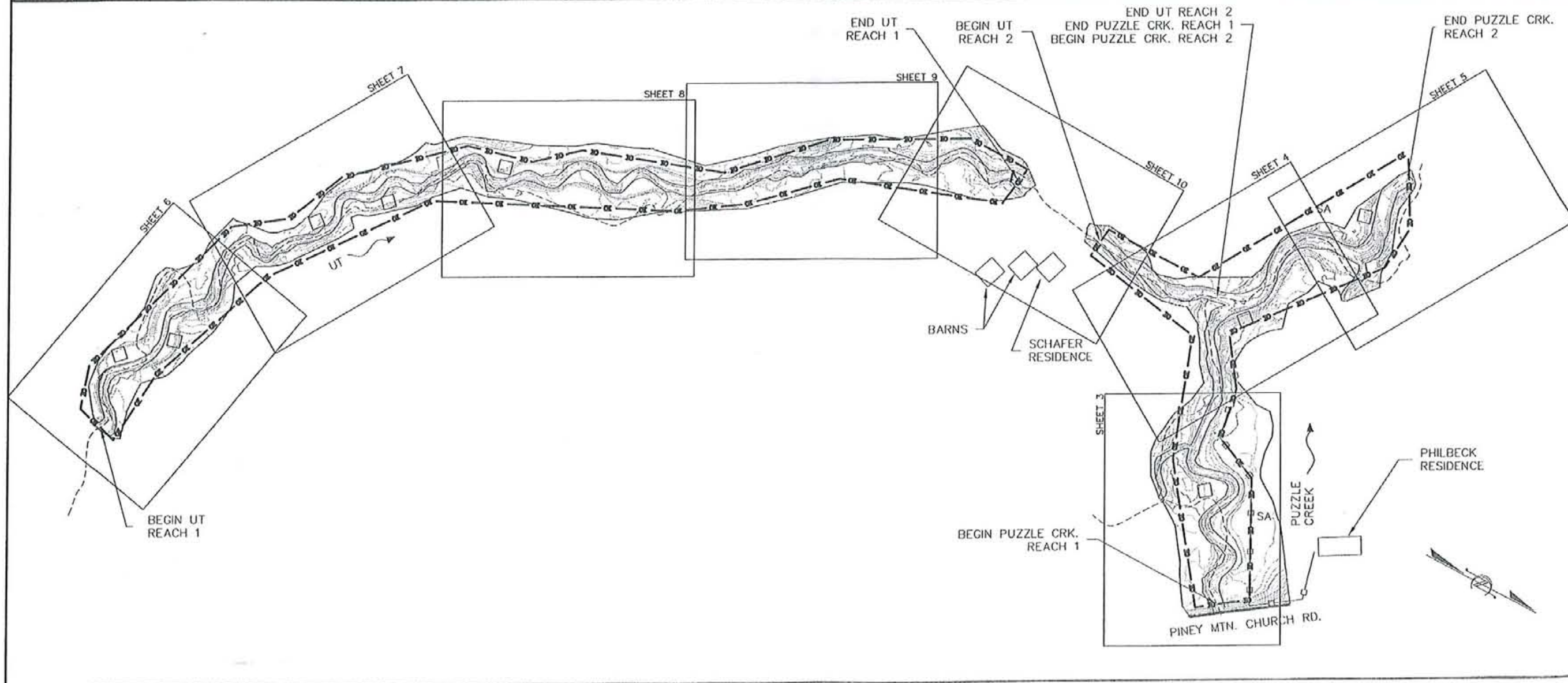
NC ECOSYSTEM
ENHANCEMENT PROGRAM

INDEX OF SHEETS

1	Title Sheet
2	Symbology
3-10	Asbuilt Plan

Datum Description:

Horizontal Datum is on NCGS NAD 83. Temporary control points are present on site and will be used to establish grade and position by a Baker representative at the time of construction.



DESIGNED: MMC
DRAWN: MDR
APPROVED: MMC













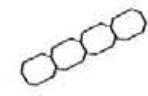



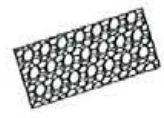
Michael Baker Engineering Inc.
797 Haywood Road
Suite 201
Asheville, North Carolina 28806
Phone: 828.350.1408
Fax: 828.350.1409

PUZZLE CREEK RESTORATION PROJECT
BOSTIC, NC
ASBUILT TITLE SHEET

Prepared for:
Ecosystem Enhancement Program
2728 Capital Blvd., Suite 1H 103
Raleigh, NC 27604
Phone: 919-715-0476
Fax: 919-715-2299

Baker Project Number
AH-108277
Date: 12/15/10
Drawing Sheet No.
Sheet 1 of 10

LEGEND OF SYMBOLS

	TREE		DESIGN THALWEG
	PHOTO POINT		TOP OF BANK
	COVER LOG		CHANNEL
	ROOT WAD		EXISTING THALWEG
	ROCK VANE		CE CONSERVATION EASEMENT
	LOG VANE		FENCE
	BOULDER TOE		CONTOUR-INDEX
	GEO LIFT		CONTOUR-INTERMEDIATE
	FORD CROSSING		

DESIGNED: MMC
 DRAWN: MDR
 APPROVED: MMC

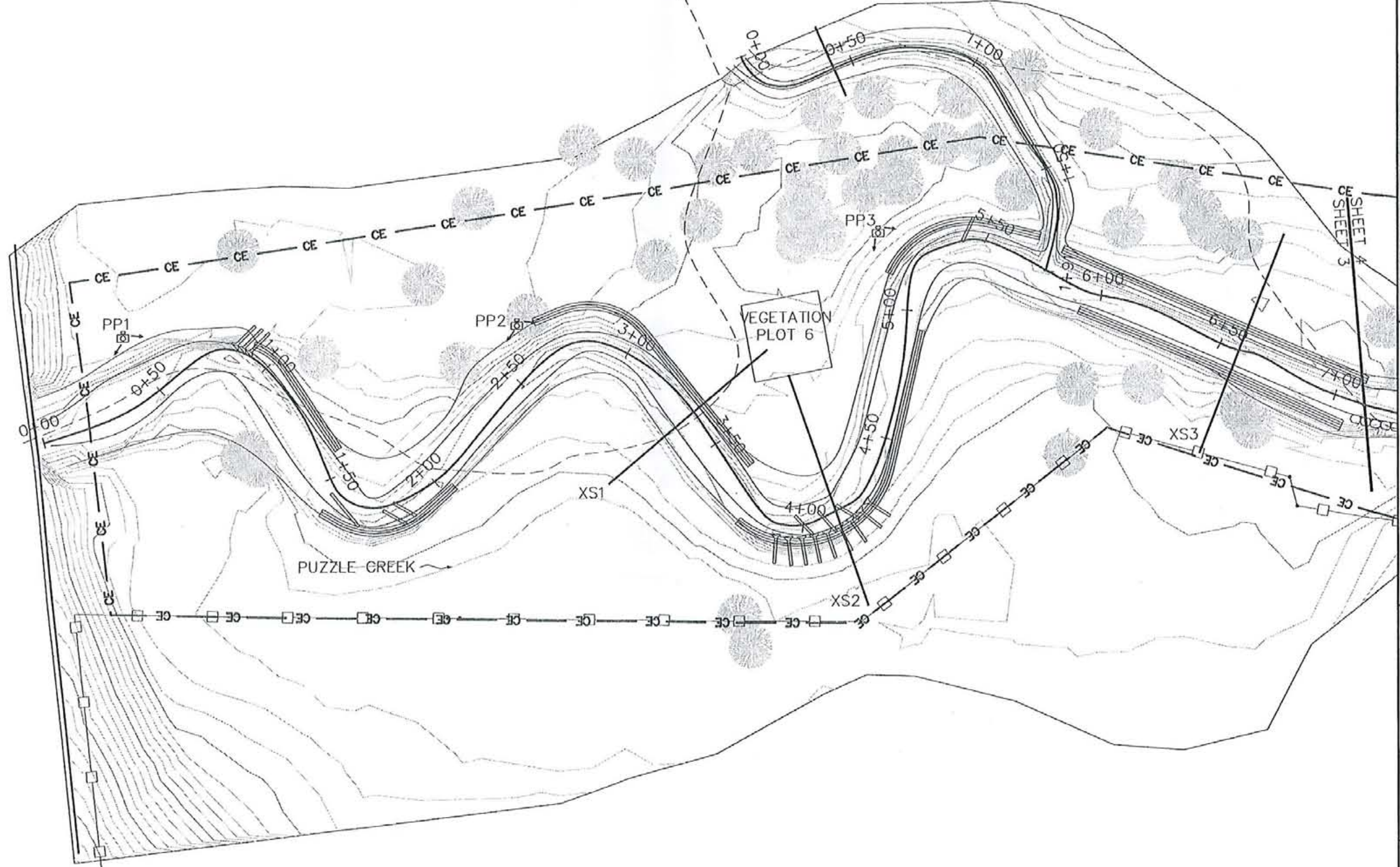
Michael Baker Engineering Inc.
 797 Haywood Road
 Suite 201
 Asheville, North Carolina 28806
 Phone: 828.350.1408
 Fax: 828.350.1409



PUZZLE CREEK RESTORATION PROJECT
 BOSTIC, NC
 LEGEND OF SYMBOLS

Prepared for:
 Ecosystem Enhancement Program
 2728 Capitol Blvd, Suite 1H 103
 Raleigh, NC 27604
 Phone: 919-715-0476
 Fax: 919-715-2219

Baker Project Number
 AH-109277
 Date: 12/15/10
 Drawing Sheet No.
 Sheet 2 of 10



DESIGNED: MMC
 DRAWN: MDR
 APPROVED: MMC

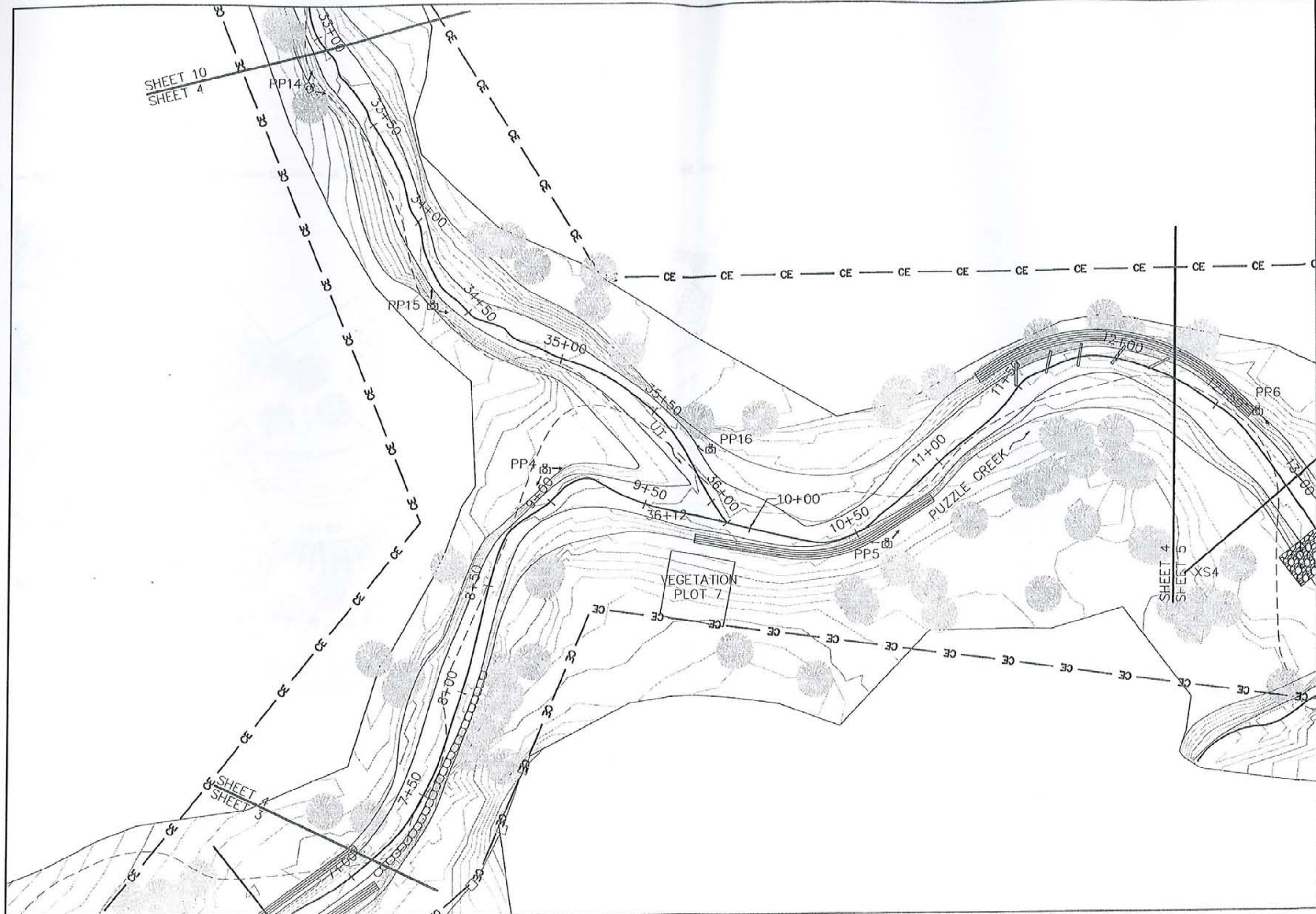
Michael Baker Engineering Inc.
 797 Haywood Road
 Suite 201
 Asheville, North Carolina 28806
 Phone: 828.350.1408
 Fax: 828.350.1409

Baker

PUZZLE CREEK RESTORATION PROJECT
 BOSTIC, NC
 ASBUILT PLAN

Prepared for:
 Ecosystem Enhancement Program
 2728 Capital Blvd, Suite 1H 103
 Raleigh, NC 27604
 Phone: 919-715-0476
 Fax: 919-715-2219

Baker Project Number
 AH-109277
 Date: 12/15/10
 Drawing Sheet No.
 Sheet 3 of 10



DESIGNED: MMC
 DRAWN: MDR
 APPROVED: MMC

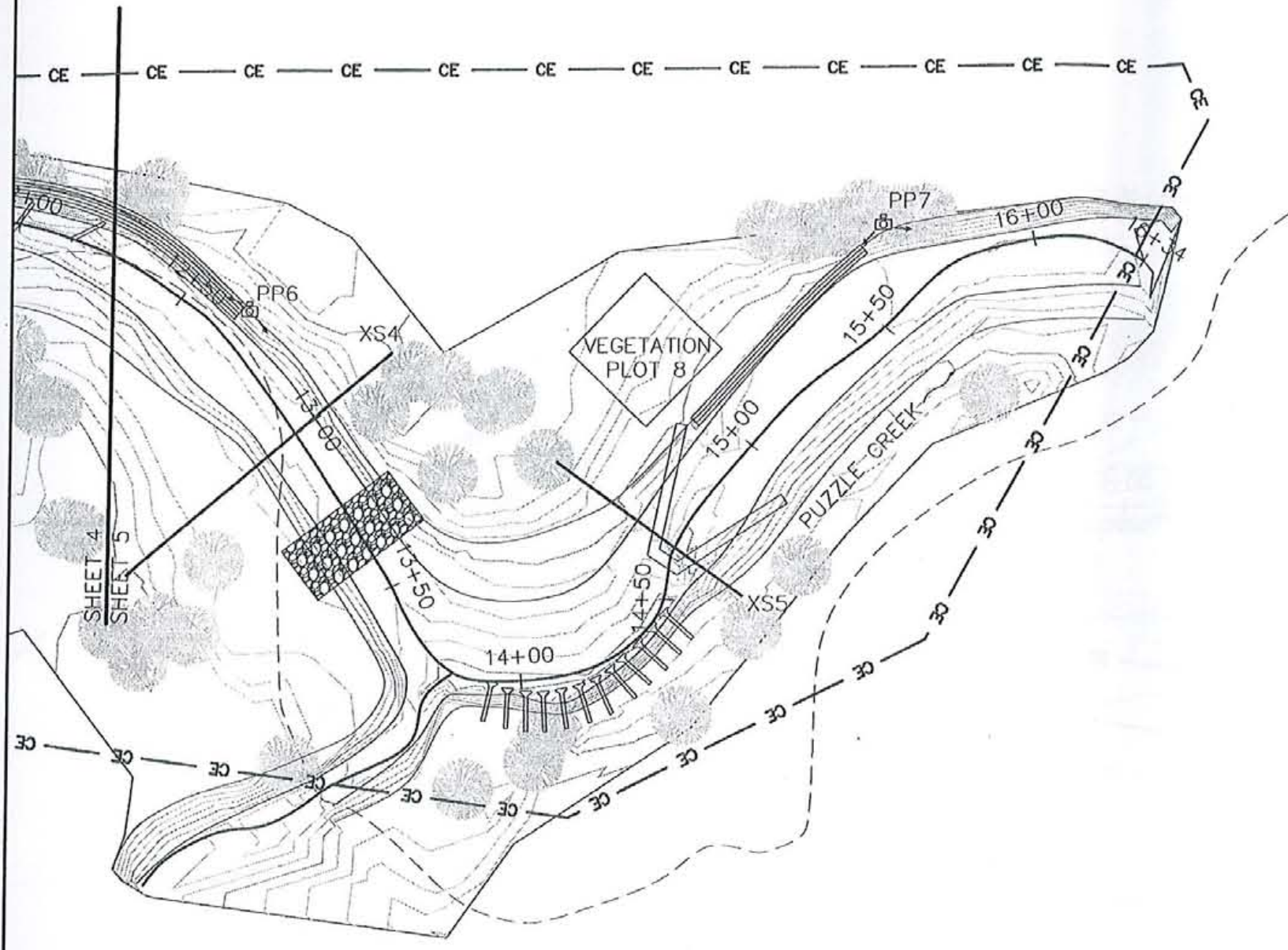
Michael Baker Engineering Inc.
 797 Haywood Road
 Suite 201
 Asheville, North Carolina 28806
 Phone: 828.350.1408
 Fax: 828.350.1409



PUZZLE CREEK RESTORATION PROJECT
 BOSTIC, NC
 ASBUILT PLAN

Prepared for:
 Ecosystem Enhancement Program
 2728 Capitol Blvd, Suite 1H 103
 Raleigh, NC 27604
 Phone: 919-715-0476
 Fax: 919-715-2219

Baker Project Number
 AH-109277
 Date: 12/15/10
 Drawing Sheet No.
 Sheet 4 of 10



DESIGNED: MMC
 DRAWN: MDR
 APPROVED: MMC

Michael Baker Engineering Inc.
 797 Heywood Road
 Suite 201
 Asheville, North Carolina 28806
 Phone: 828.350.1408
 Fax: 828.350.1409



PUZZLE CREEK RESTORATION PROJECT
 BOSTIC, NC
 ASBUILT PLAN

Prepared for:
 Ecosystem Enhancement Program
 2728 Capitol Blvd., Suite 1H 103
 Raleigh, NC 27604
 Phone: 919-715-0476
 Fax: 919-715-2219

Baker Project Number
 AH-109277
 Date: 12/15/10
 Drawing Sheet No.
 Sheet 5 of 10

DESIGNED: MMC
DRAWN: MDR
APPROVED: MMC

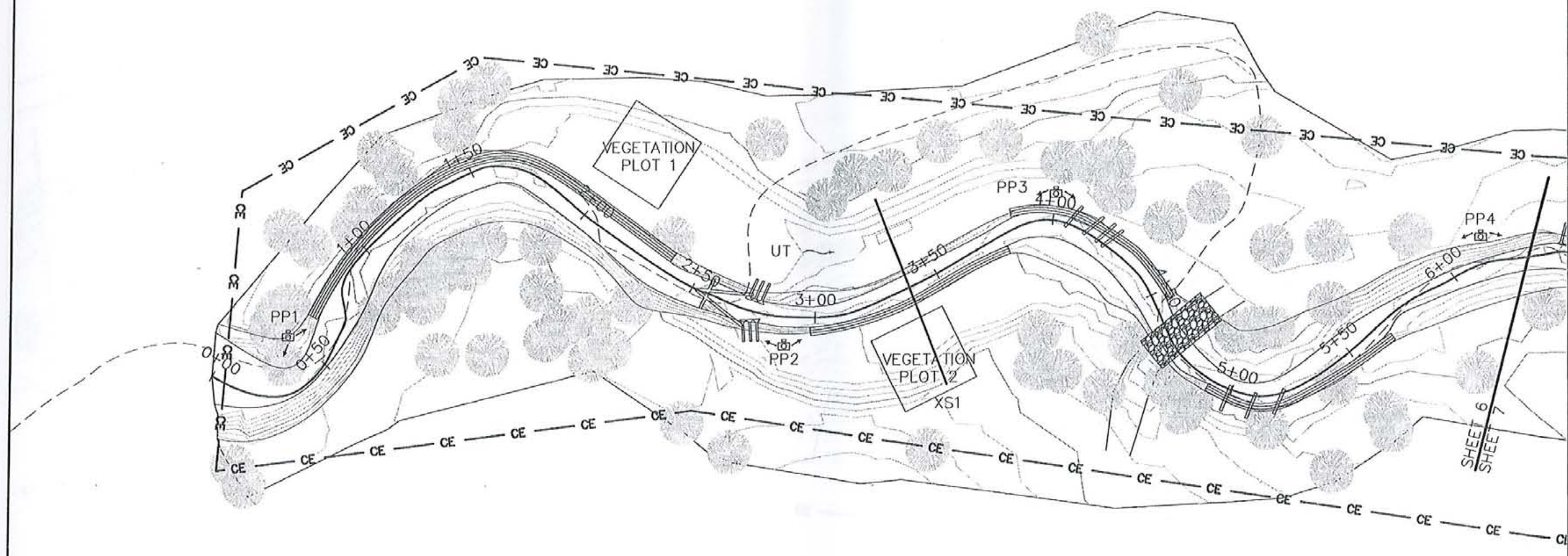
Michael Baker Engineering Inc.
797 Haywood Road
Suite 201
Asheville, North Carolina 28806
Phone: 828.350.1408
Fax: 828.350.1409

Baker

PUZZLE CREEK RESTORATION PROJECT
BOSTIC, NC
ASBUILT PLAN

Prepared for:
Ecosystem Enhancement Program
2728 Capitol Blvd, Suite 1403
Raleigh, NC 27604
Phone: 919-715-0476
Fax: 919-715-2219

Baker Project Number
AH-109277
Date: 12/15/10
Drawing Sheet No.
Sheet 6 of 10



DESIGNED: MMC
 DRAWN: MDR
 APPROVED: MMC

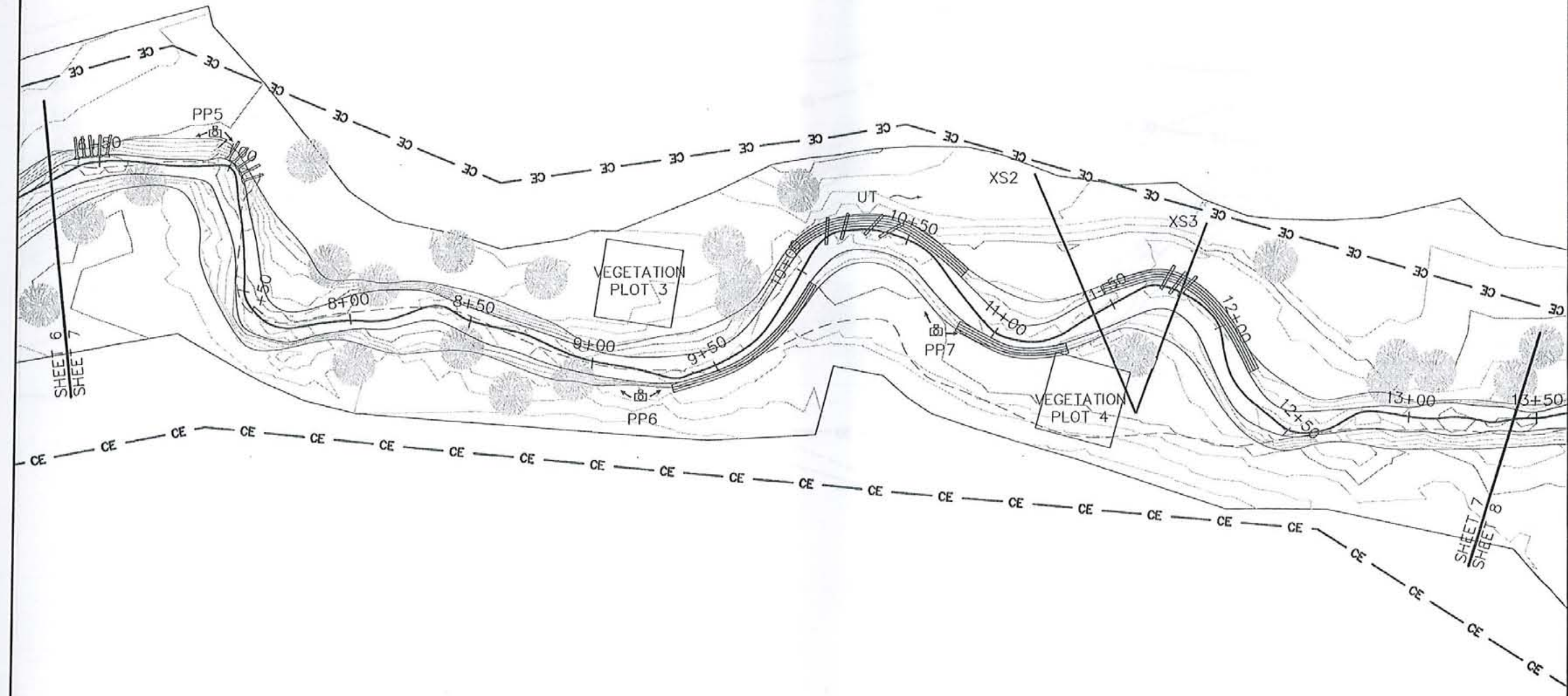
Michael Baker Engineering Inc.
 797 Haywood Road
 Suite 201
 Asheville, North Carolina 28806
 Phone: 828.350.1408
 Fax: 828.350.1409

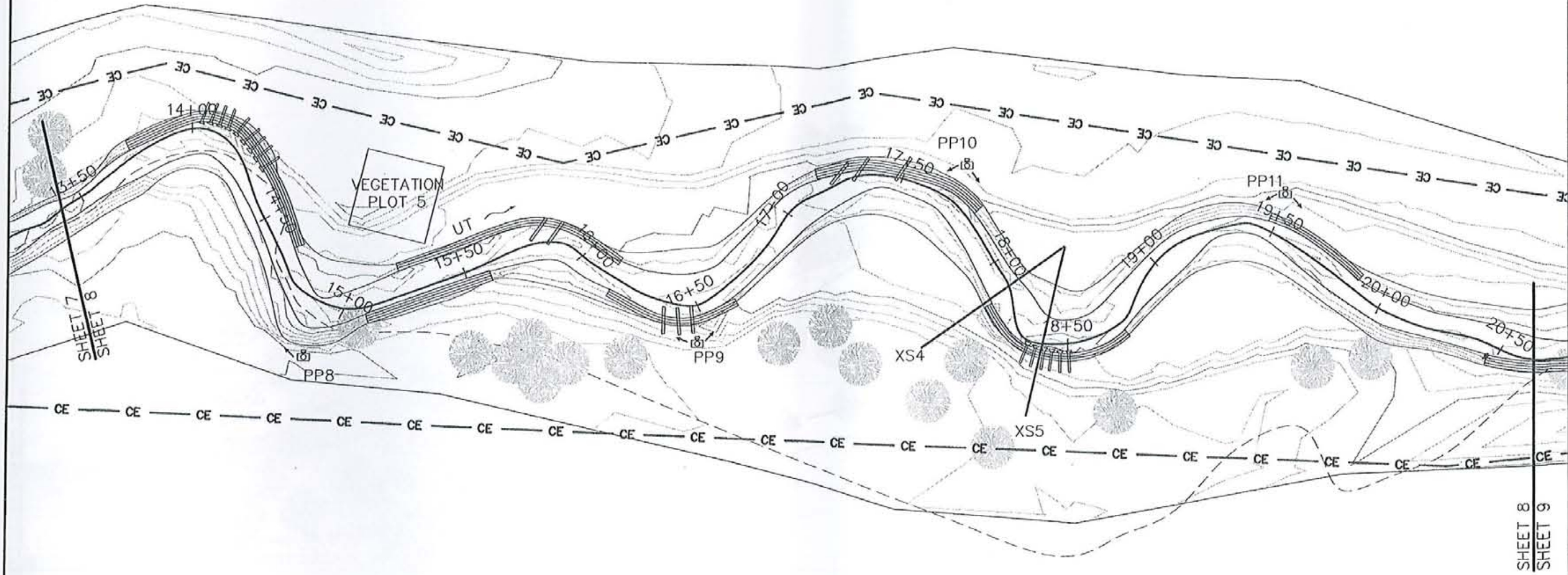
Baker

PUZZLE CREEK RESTORATION PROJECT
 BOSTIC, NC
 ASBUILT PLAN

Prepared for:
 Ecosystem Enhancement Program
 2728 Capital Blvd., Suite 14103
 Raleigh, NC 27604
 Phone: 919-715-0476
 Fax: 919-715-2219

Baker Project Number
 AH-109277
 Date: 12/15/10
 Drawing Sheet No.
 Sheet 7 of 10





DESIGNED: MMC
 DRAWN: MUR
 APPROVED: MMC
 Michael Baker Engineering Inc.
 797 Haywood Road
 Suite 201
 Asheville, North Carolina 28906
 Phone: 828.350.1408
 Fax: 828.350.1409



PUZZLE CREEK RESTORATION PROJECT
 BOSTIC, NC
 ASBUILT PLAN

Prepared for:
 Ecosystem Enhancement Program
 2728 Capitol Blvd, Suite 1H 103
 Raleigh, NC 27604
 Phone: 919-715-0476
 Fax: 919-715-2219

Baker Project Number
 AH-109277
 Date: 12/15/10
 Drawing Sheet No.
 Sheet 6 of 10

DESIGNED: MMC
DRAWN: MDR
APPROVED: MMC

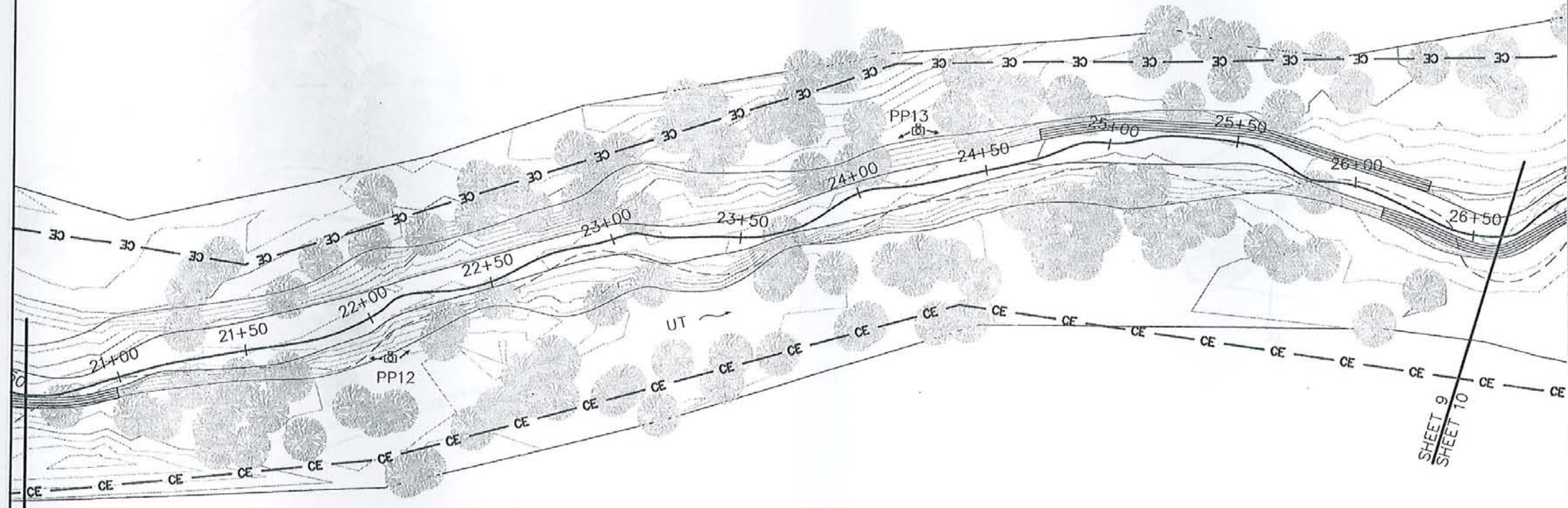
Michael Baker Engineering Inc.
797 Haywood Road
Suite 201
Asheville, North Carolina 28806
Phone: 828.350.1408
Fax: 828.350.1409

Baker

PUZZLE CREEK RESTORATION PROJECT
BOSTIC, NC
ASBUILT PLAN

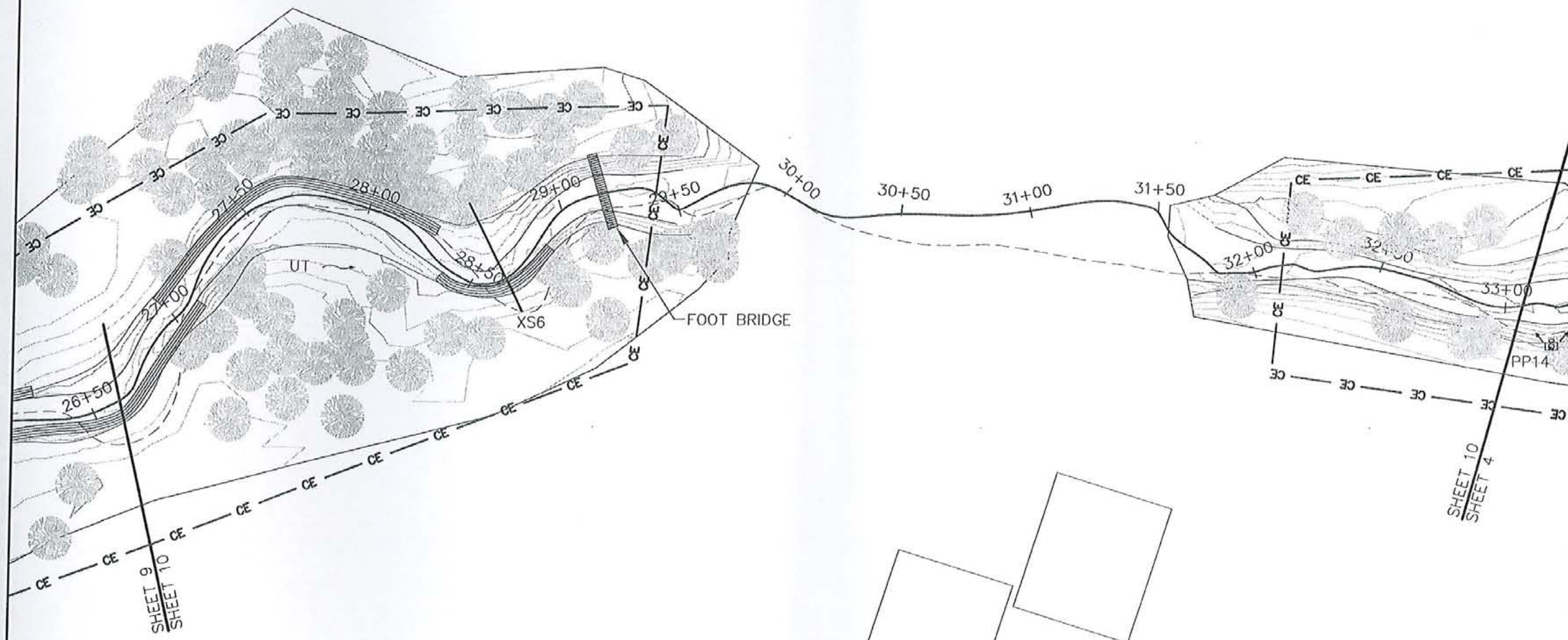
Prepared for:
Ecosystem Enhancement Program
2728 Capitol Blvd., Suite 11103
Raleigh, NC 27604
Phone: 919-715-0476
Fax: 919-715-2219

Baker Project Number
AH 109277
Date: 12/15/10
Drawing Sheet No.
Sheet 0 of 10



SHEET 8
SHEET 9

SHEET 9
SHEET 10



DESIGNED: MMC	MMG
DRAWN: MDR	MMG
APPROVED: MMC	MMG
Michael Baker Engineering Inc. 797 Haywood Road Suite 201 Asheville, North Carolina 28806 Phone: 828.350.1408 Fax: 828.350.1409	
PUZZLE CREEK RESTORATION PROJECT BOSTIC, NC ASBUILT PLAN	
Prepared for: Ecosystem Enhancement Program 2728 Capitol Blvd, Suite 1H 103 Raleigh, NC 27604 Phone: 919-715-0476 Fax: 919-715-2219	
Baker Project Number AH-100277	
Date: 12/15/10	
Drawing Sheet No.	
Sheet 10 of 10	