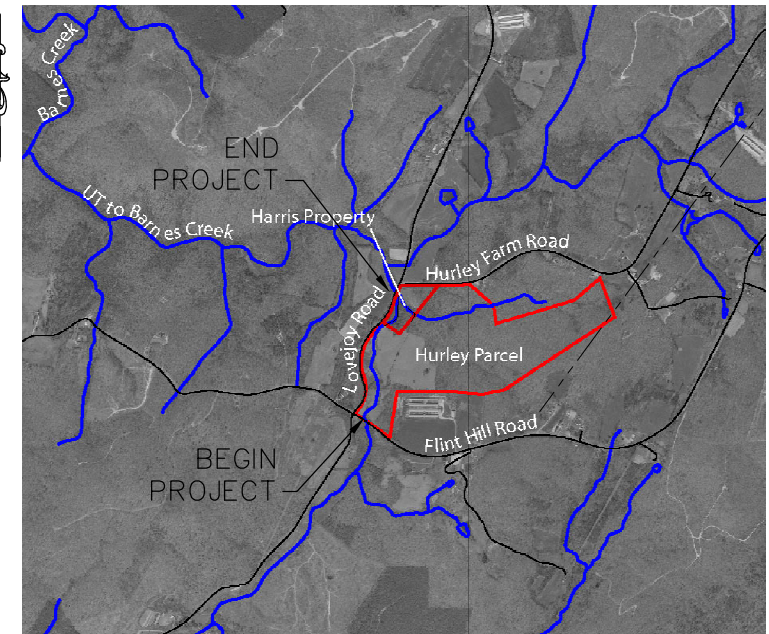


UT TO BARNES CREEK RESTORATION PROJECT

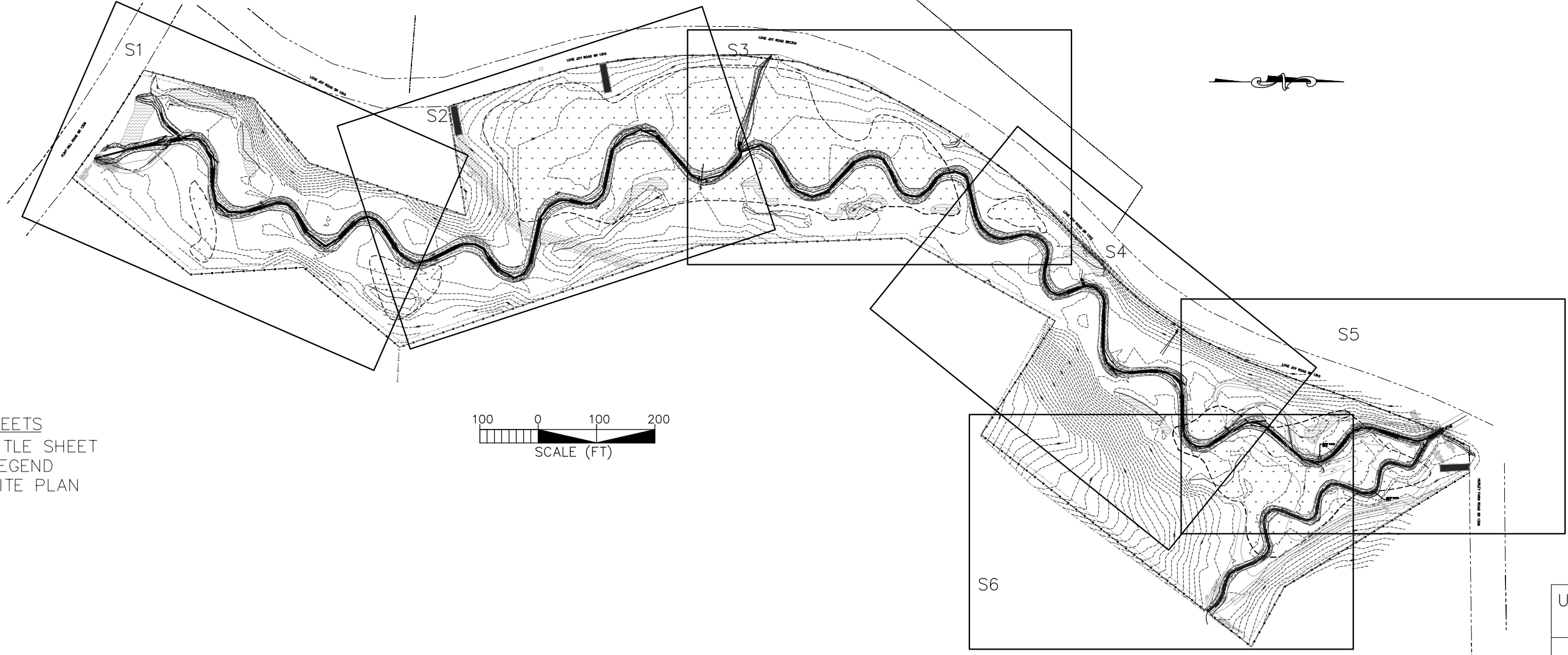
MONTGOMERY COUNTY, NORTH CAROLINA

PREPARED FOR:

NORTH CAROLINA DEPARTMENT OF ENVIRONMENT AND NATURAL RESOURCES
ECOSYSTEM ENHANCEMENT PROGRAM



VICINITY MAP
N.T.S.



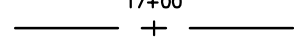
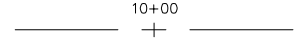

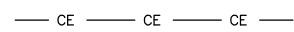




INDEX OF SHEETS










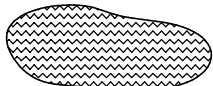
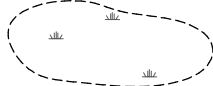


T1	TITLE SHEET
T2	LEGEND
S1-S6	SITE PLAN




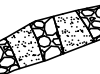


UT TO BARNES CREEK
RESTORATION

TITLE SHEET
AS-BUILT PLANS

-  17+00 AS-BUILT STREAM ALIGNMENT
-  10+00 DESIGN ALIGNMENT
-  AS-BUILT TOP OF BANK
-  CONSERVATION EASEMENT
-  NCDOT RIGHT OF WAY
-  PROPERTY LIMITS
-  AS-BUILT MAJOR CONTOURS
-  AS-BUILT MINOR CONTOURS

-  CONSTRUCTED RIFFLE
-  ROCK VANE
-  ROCK CROSS VANE
-  ROOT WAD
-  LOG VANE
-  LOG WEIR
-  COVER LOG
-  BOULDER
-  BRUSH MATTRESS
-  EPHEMERAL POOL
-  WETLAND AREA
-  CHANNEL PLUG
-  PRE-PROJECT CHANNEL LOCATION

-  GROUNDWATER MONITORING GAUGE
-  SURVEY CONTROL POINT (BCP-XXX)
-  PHOTO POINT
-  STEP POOL

UT TO BARNES CREEK RESTORATION

LEGEND AS-BUILT PLANS

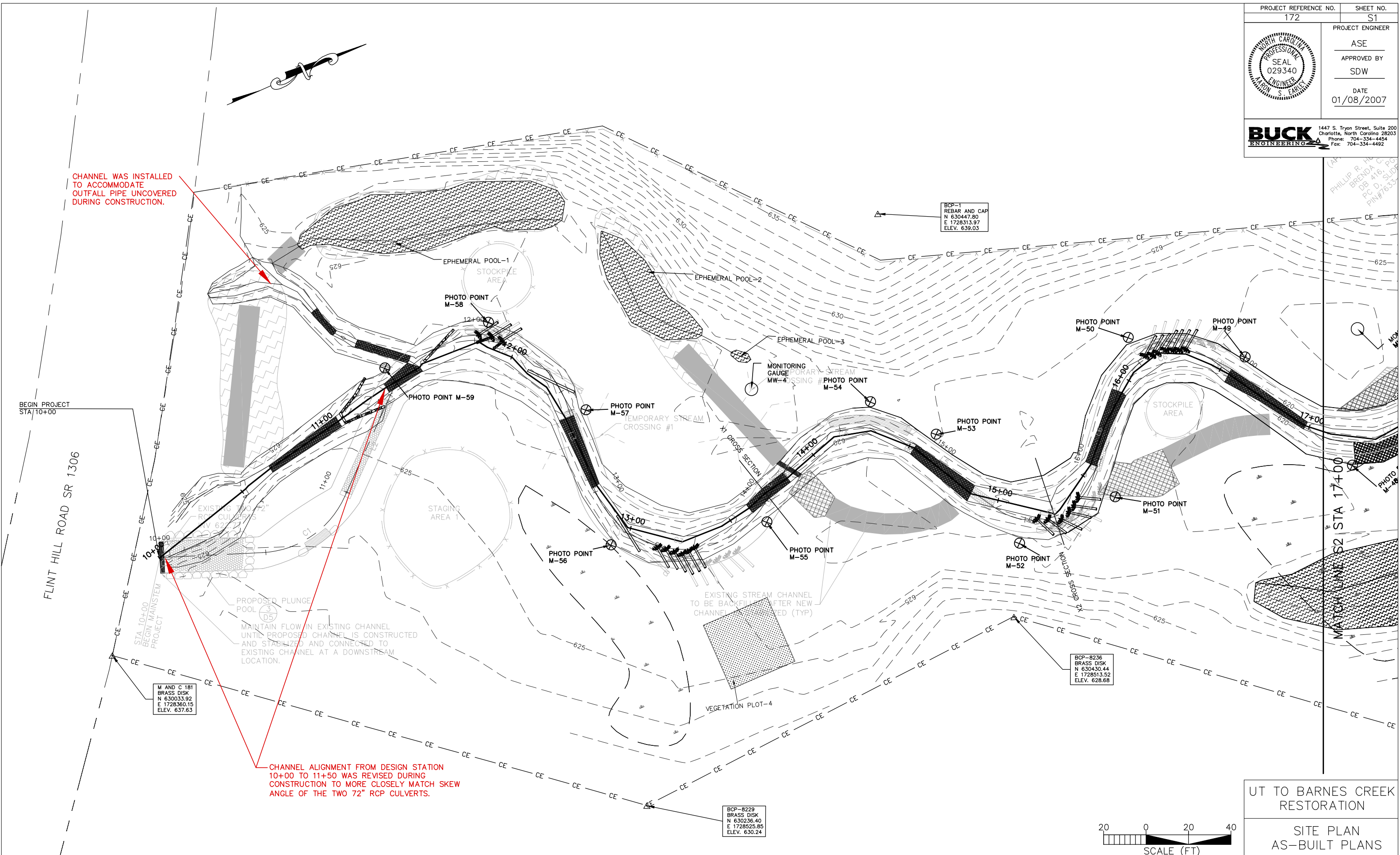
PHILLIP R. H...
BRENDA C. P...
DB 416, P...
PC D, SLID...
PIN#7633...

CHANNEL WAS INSTALLED TO ACCOMMODATE OUTFALL PIPE UNCOVERED DURING CONSTRUCTION.

BEGIN PROJECT STA 10+00

FLINT HILL ROAD SR 1306

STA 17+00



MAINTAIN FLOW IN EXISTING CHANNEL UNTIL PROPOSED CHANNEL IS CONSTRUCTED AND STABILIZED AND CONNECTED TO EXISTING CHANNEL AT A DOWNSTREAM LOCATION.

CHANNEL ALIGNMENT FROM DESIGN STATION 10+00 TO 11+50 WAS REVISED DURING CONSTRUCTION TO MORE CLOSELY MATCH SKEW ANGLE OF THE TWO 72" RCP CULVERTS.

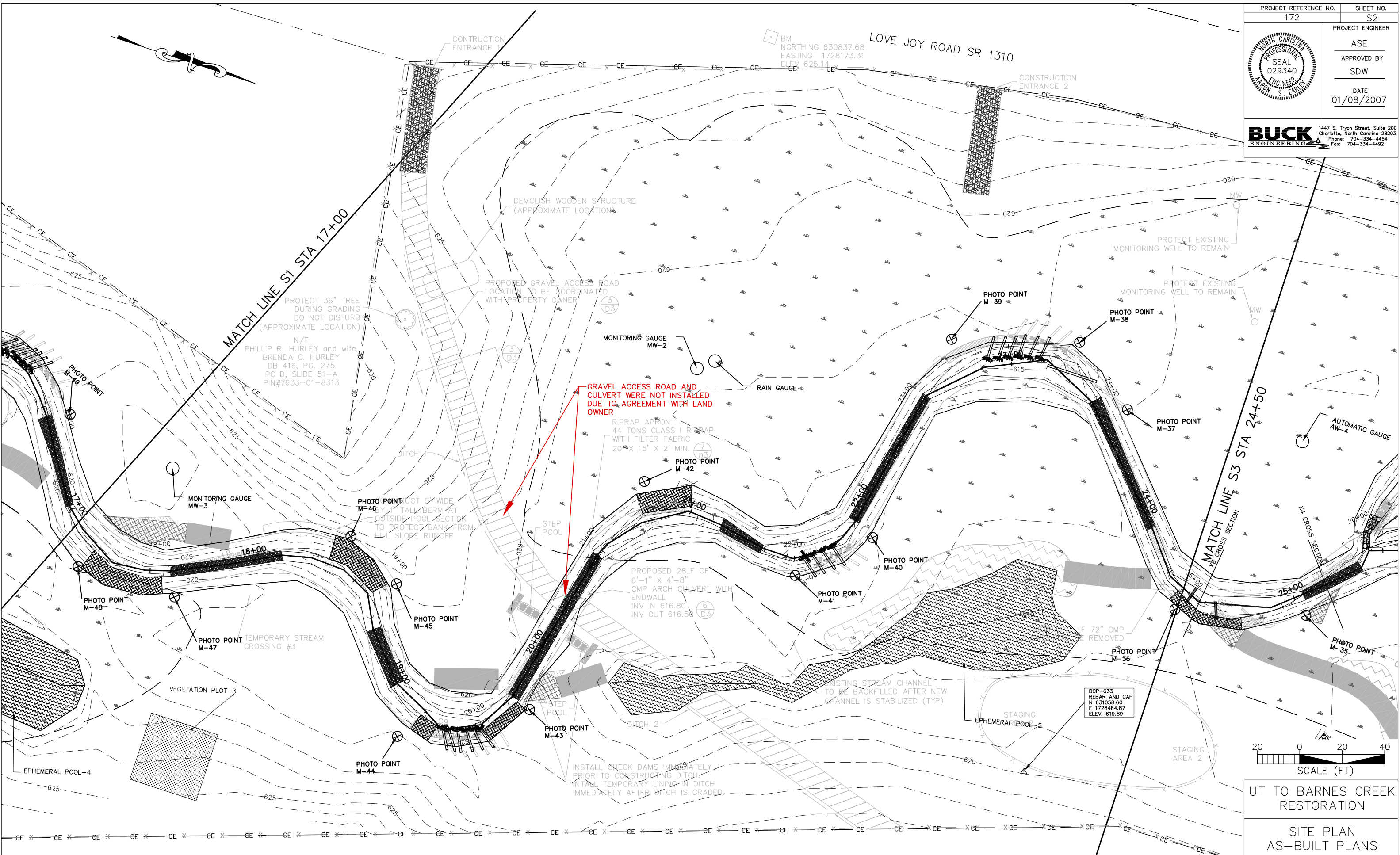
UT TO BARNES CREEK RESTORATION

SITE PLAN AS-BUILT PLANS



PROJECT ENGINEER
ASE
APPROVED BY
SDW
DATE
01/08/2007

BUCK ENGINEERING
1447 S. Tryon Street, Suite 200
Charlotte, North Carolina 28203
Phone: 704-334-4454
Fax: 704-334-4492



GRAVEL ACCESS ROAD AND CULVERT WERE NOT INSTALLED DUE TO AGREEMENT WITH LAND OWNER

RIPRAP APRON
44 TONS CLASS I RIPRAP
WITH FILTER FABRIC
20' X 15' X 2' MIN.

PROPOSED 28LF OF
6'-1" X 4'-8"
CMP ARCH CULVERT WITH
ENDWALL
INV IN 616.80
INV OUT 616.50

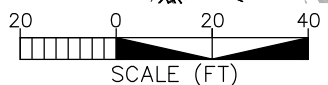
EXISTING STREAM CHANNEL
TO BE BACKFILLED AFTER NEW
CHANNEL IS STABILIZED (TYP)

INSTALL CHECK DAMS IMMEDIATELY
PRIOR TO CONSTRUCTING DITCH.
INSTALL TEMPORARY LINING IN DITCH
IMMEDIATELY AFTER DITCH IS GRADED.

PROTECT 36" TREE
DURING GRADING
DO NOT DISTURB
(APPROXIMATE LOCATION)
N/F
PHILLIP R. HURLEY and wife,
BRENDA C. HURLEY
DB 416, PG. 275
PC D, SLIDE 51-A
PIN#76333-01-8313

CONSTRUCT 5' WIDE
BY 1' TALL BERM AT
OUTSIDE POOL SECTION
TO PROTECT BANK FROM
HILL SLOPE RUNOFF

BCP-633
REBAR AND CAP
N 631058.60
E 1728464.87
ELEV. 619.89



UT TO BARNES CREEK RESTORATION

SITE PLAN
AS-BUILT PLANS

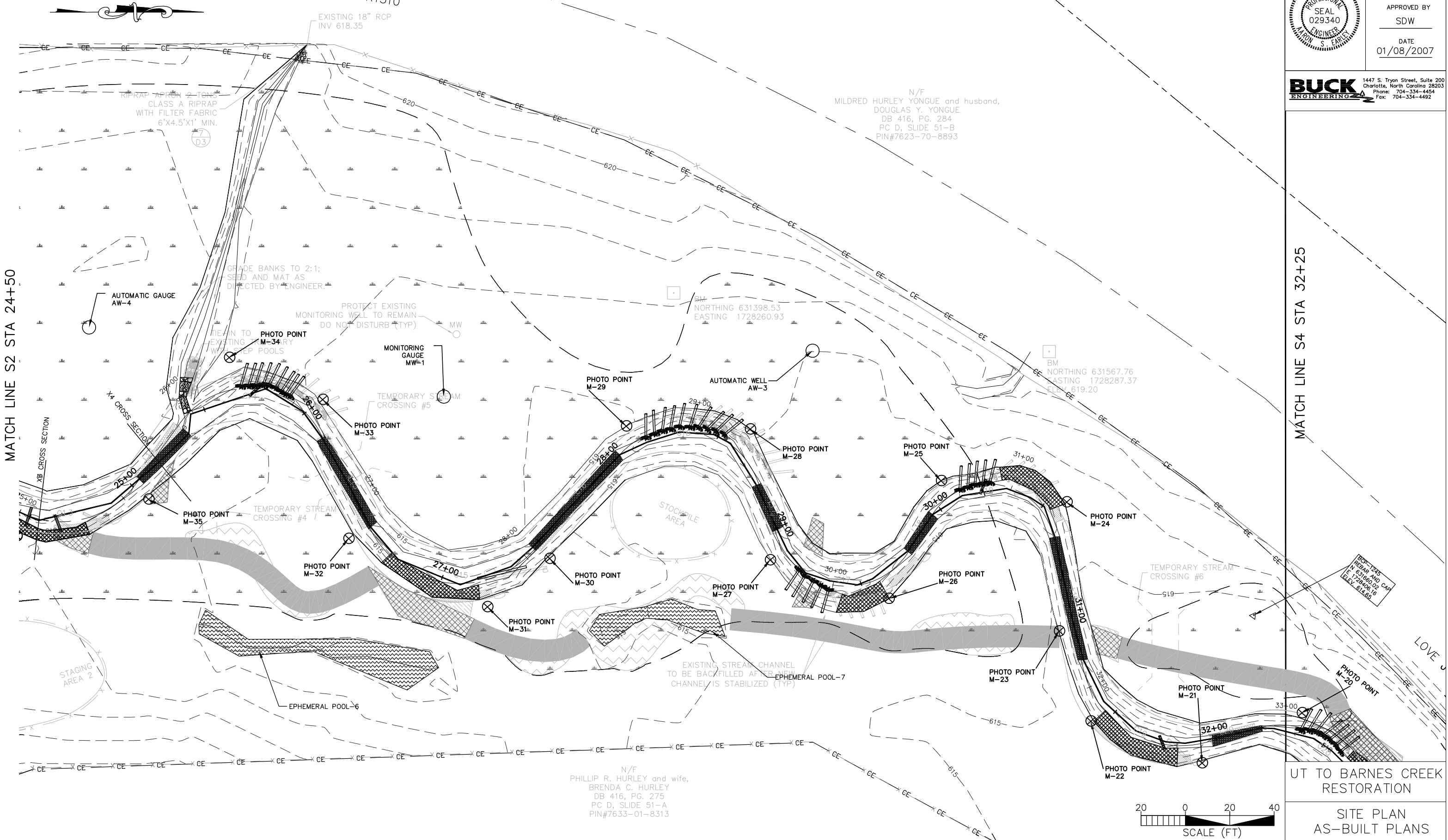
PROJECT REFERENCE NO.	SHEET NO.
172	S3
PROJECT ENGINEER	
ASE	
APPROVED BY	
SDW	
DATE	
01/08/2007	

BUCK ENGINEERING
 1447 S. Tryon Street, Suite 200
 Charlotte, North Carolina 28203
 Phone: 704-334-4454
 Fax: 704-334-4492

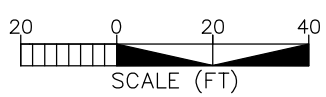
LOVE JOY ROAD SR1310

MATCH LINE S2 STA 24+50

MATCH LINE S4 STA 32+25



N/F
 PHILLIP R. HURLEY and wife,
 BRENDA C. HURLEY
 DB 416, PG. 275
 PC D, SLIDE 51-A
 PIN#7633-01-8313



UT TO BARNES CREEK RESTORATION
 SITE PLAN
 AS-BUILT PLANS

PROJECT REFERENCE NO.	SHEET NO.
172	S4
PROJECT ENGINEER	
ASE	
APPROVED BY	
SDW	
DATE	
01/08/2007	

BUCK ENGINEERING
 1447 S. Tryon Street, Suite 200
 Charlotte, North Carolina 28203
 Phone: 704-334-4454
 Fax: 704-334-4492

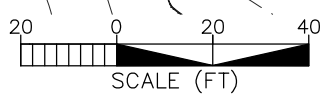
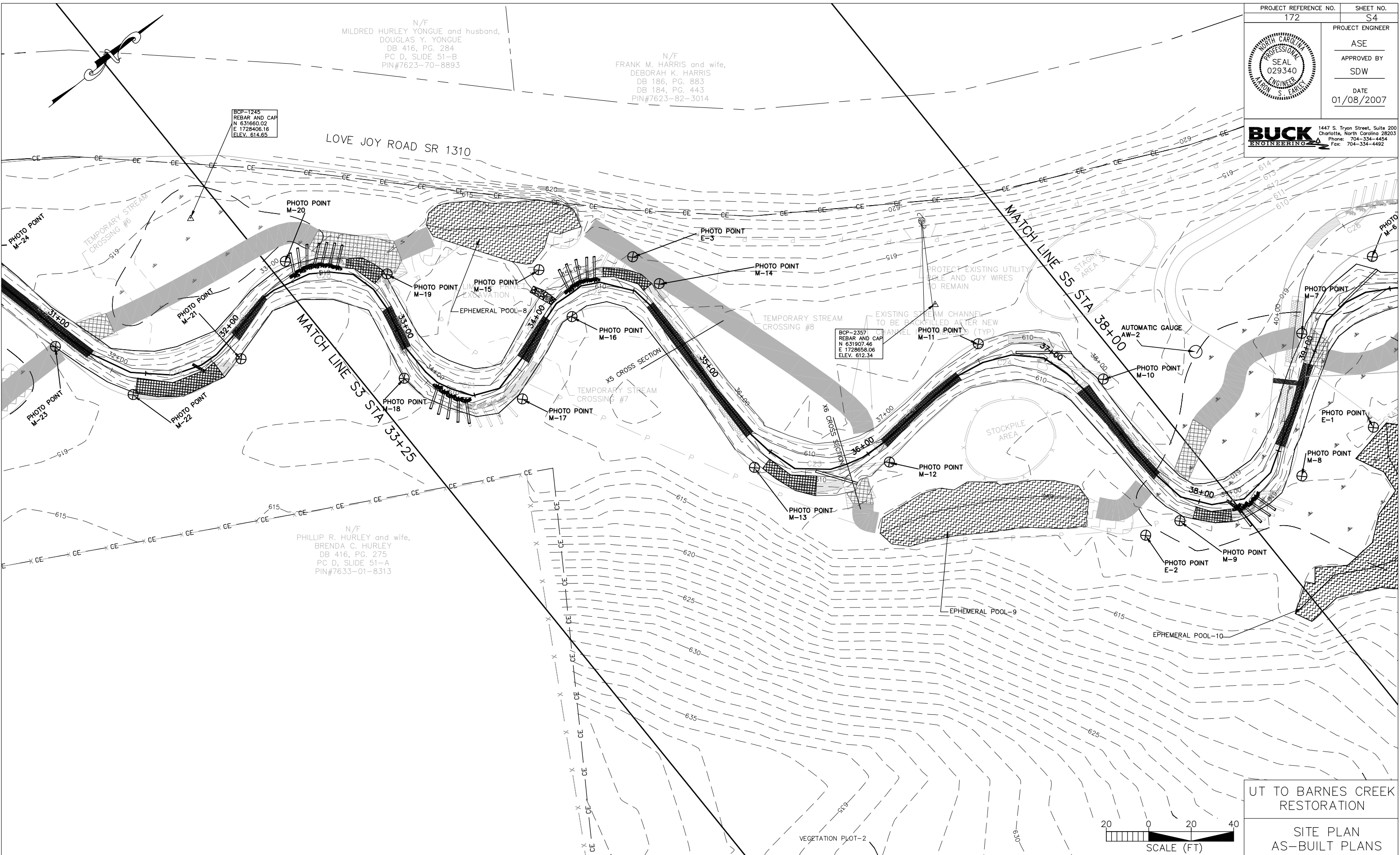
N/F
 MILDRED HURLEY and husband,
 DOUGLAS Y. YONGUE
 DB 416, PG. 284
 PC D, SLIDE 51-B
 PIN#7623-70-8893

N/F
 FRANK M. HARRIS and wife,
 DEBORAH K. HARRIS
 DB 186, PG. 883
 DB 184, PG. 443
 PIN#7623-82-3014

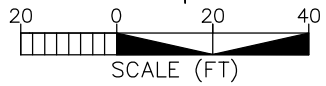
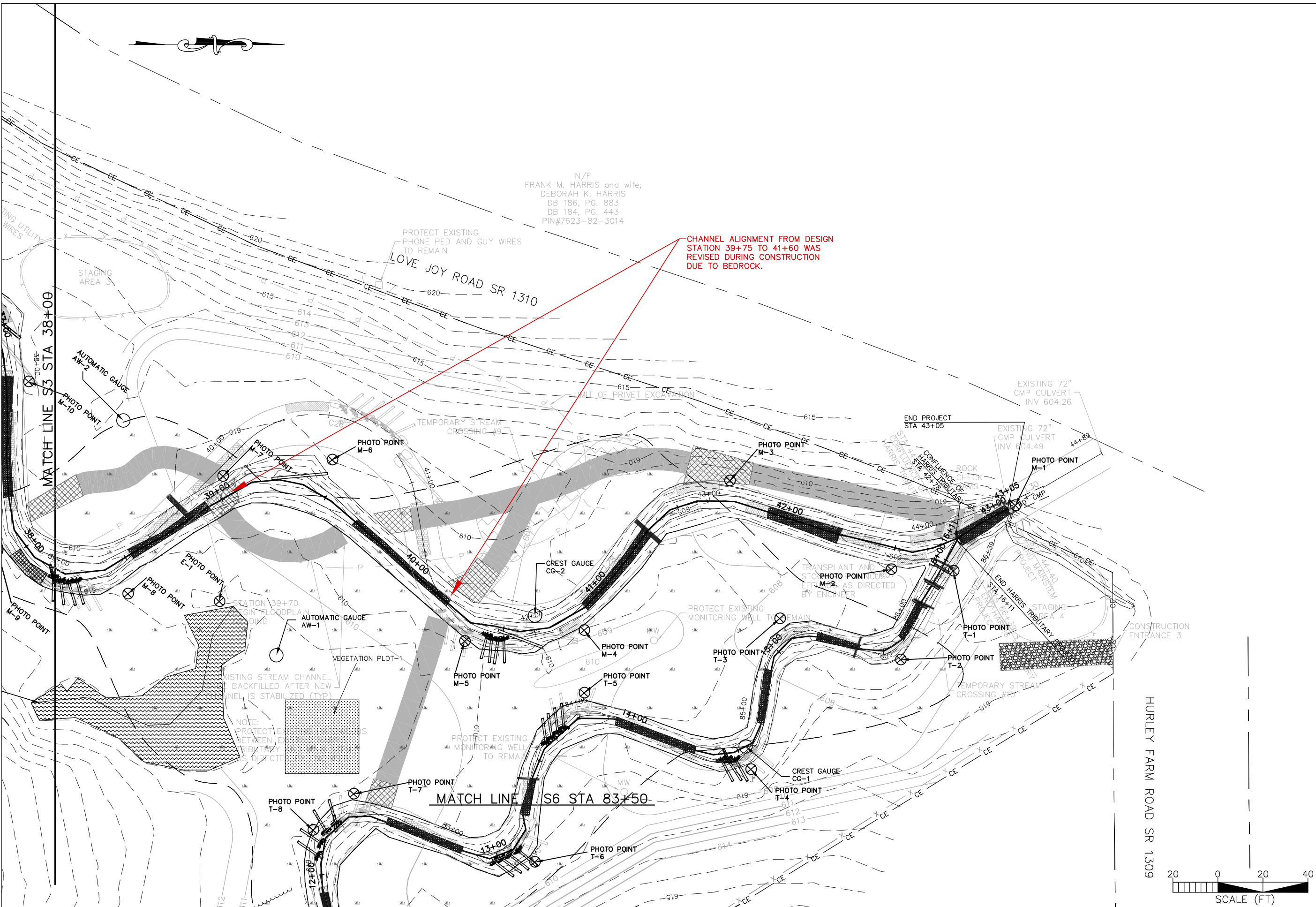
BCP-1245
 REBAR AND CAP
 N 631660.02
 E 1728406.16
 ELEV. 614.65

BCP-2357
 REBAR AND CAP
 N 631907.46
 E 1728658.06
 ELEV. 612.34

N/F
 PHILLIP R. HURLEY and wife,
 BRENDA C. HURLEY
 DB 416, PG. 275
 PC D, SLIDE 51-A
 PIN#7633-01-8313



UT TO BARNES CREEK RESTORATION
 SITE PLAN
 AS-BUILT PLANS



UT TO BARNES CREEK RESTORATION

SITE PLAN AS-BUILT PLANS

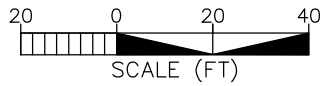
PROJECT REFERENCE NO. 172	SHEET NO. S6
PROJECT ENGINEER ASE	
APPROVED BY SDW	
DATE 01/08/2007	

BUCK ENGINEERING
 1447 S. Tryon Street, Suite 200
 Charlotte, North Carolina 28203
 Phone: 704-334-4454
 Fax: 704-334-4492



N/F
 PHILLIP R. HURLEY and wife,
 BRENDA C. HURLEY
 DB 416, PG. 275
 PC D, SLIDE 51-A
 PIN#7633-01-8313

BCP-1657
 REBAR AND CAP
 N 632072.39
 E 1729074.98
 ELEV. 616.18



UT TO BARNES CREEK
 RESTORATION

SITE PLAN
 AS-BUILT PLANS